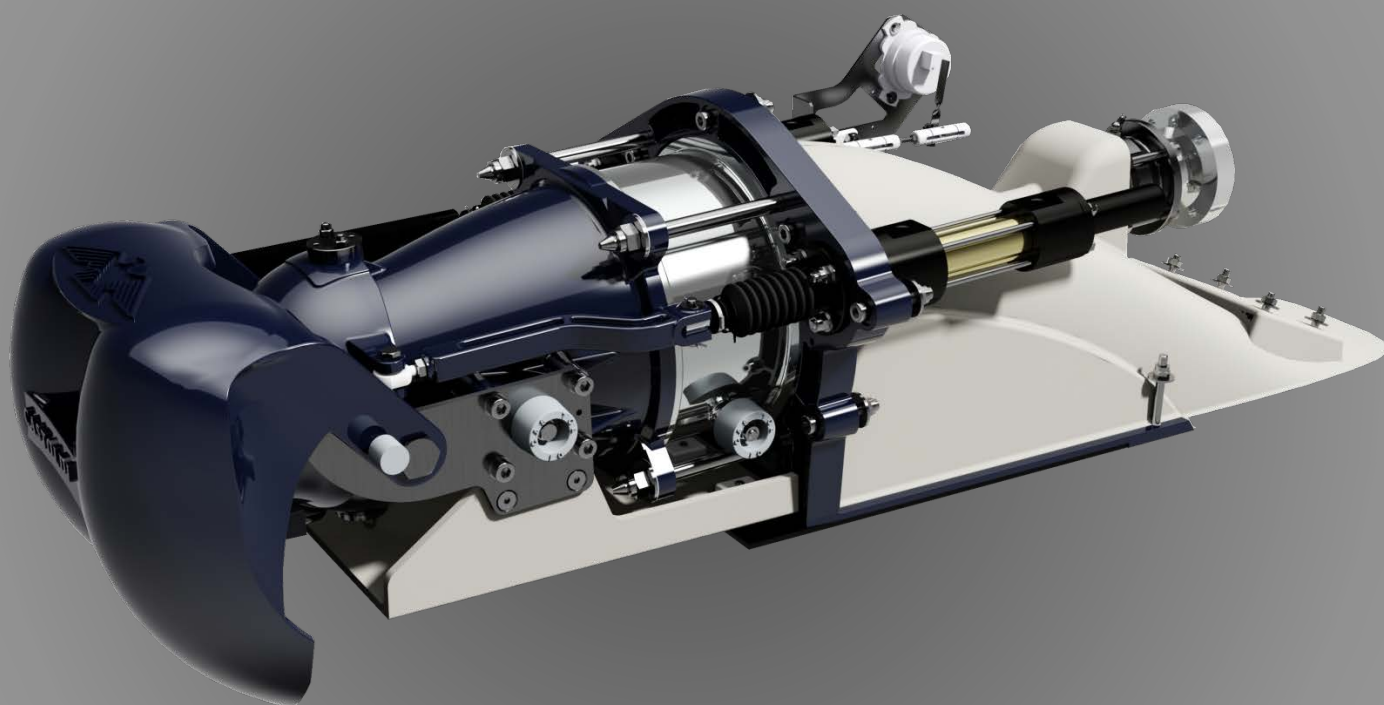




CASTOLDI



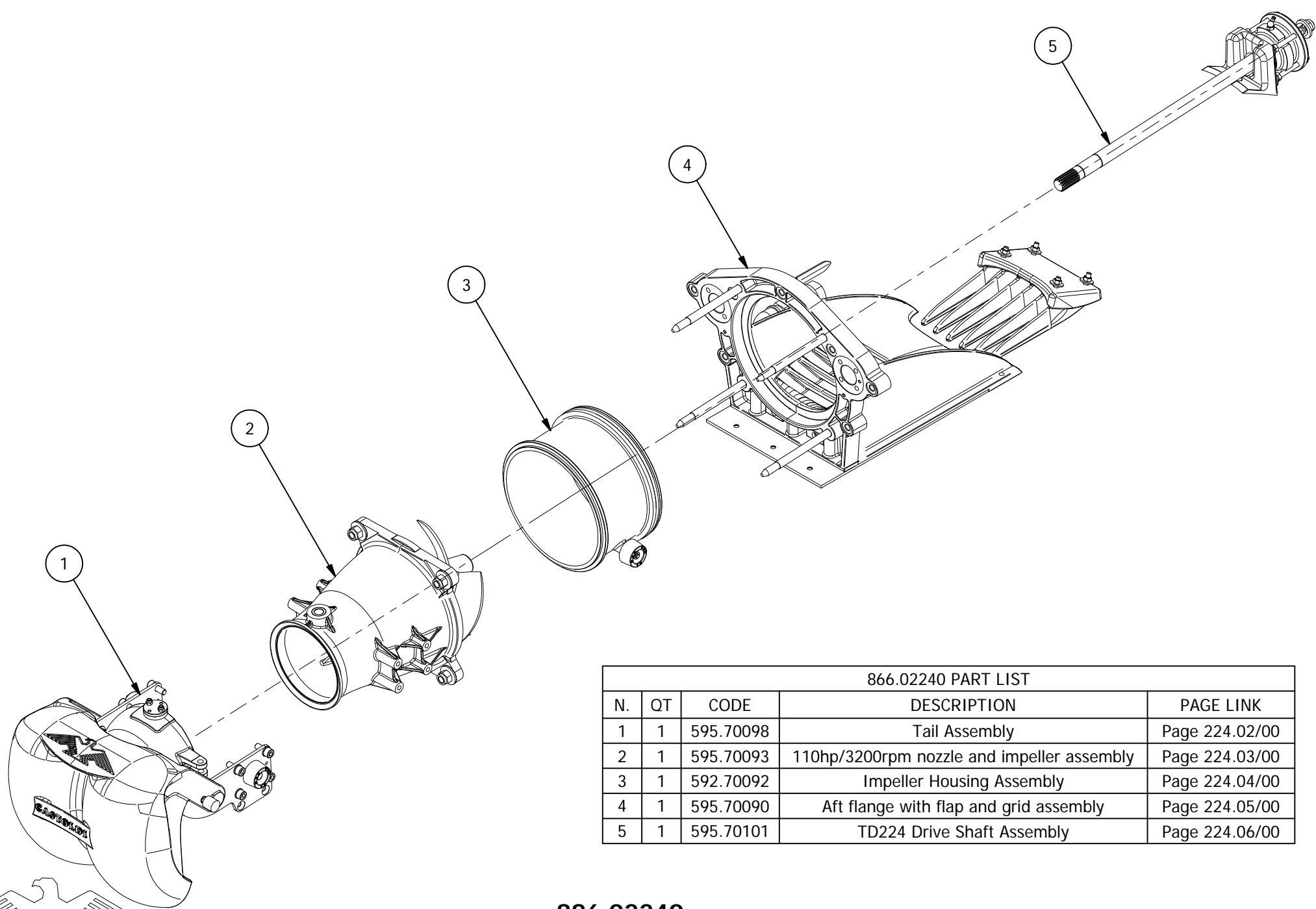
Turbodrives 224 DD

Spare parts

599.00231 – TD224 ANODE KIT			
CODE	DESCRIPTION	QTY	PAGE LINK
590.65139	Sacrificial Anode diam 45/25	4	224-02 224-04
314.91084	Plain Washer 8,4x17x1,6 UNI 6592	4	224-02 224-04
311.15153	Hexagonal-head Screw M8 x 30 UNI 5739	2	224-02
312.45082	Locknut M8 UNI 7473	4	224-04
590.14008	Sacrificial Anode with Special Nut M6	2	224-07
300.01221	Rectangular Anode 43x32x23	3	224-08
314.31075	Lock Washer with internal teeth 8,5 UNI 3704	3	224-08
311.55085	Allen Screw M8x35 UNI 5931	3	224-08

592.02240 – TD224 SEAL KIT			
CODE	DESCRIPTION	QTY	PAGE LINK
381.10500	O-Ring 2093 d. 1,78 x 21,95	2	224-03
381.10506	O-Ring 3243 d. 2,62 x 61,60	1	224-03
382.13508	Leap Seal 35 x 52 x 8 with Spring	2	224-11
381.12500	O-ring 4100 d. 3,53 x 24,99	2	224-12
381.11872	O-Ring 3075 d. 2,62 x 18,62	1	224-03
382.13510	Leap Seal 35 x 55 x 7 with Spring	2	224-14
382.13520	Leap Seal 35 x 62 x 7 with Spring	1	224-14
381.11804	O-ring 130 d. 2,62 x 22,22	3	224-03 224-14
381.15525	O-ring 3218 d.2,62 x 55,25	1	224-14
381.00009	O-Ring 8950 d. 7 x 240,7	1	224-04
381.11588	O-Ring 121 d. 2,62 x 15,88	1	224-16 224-18

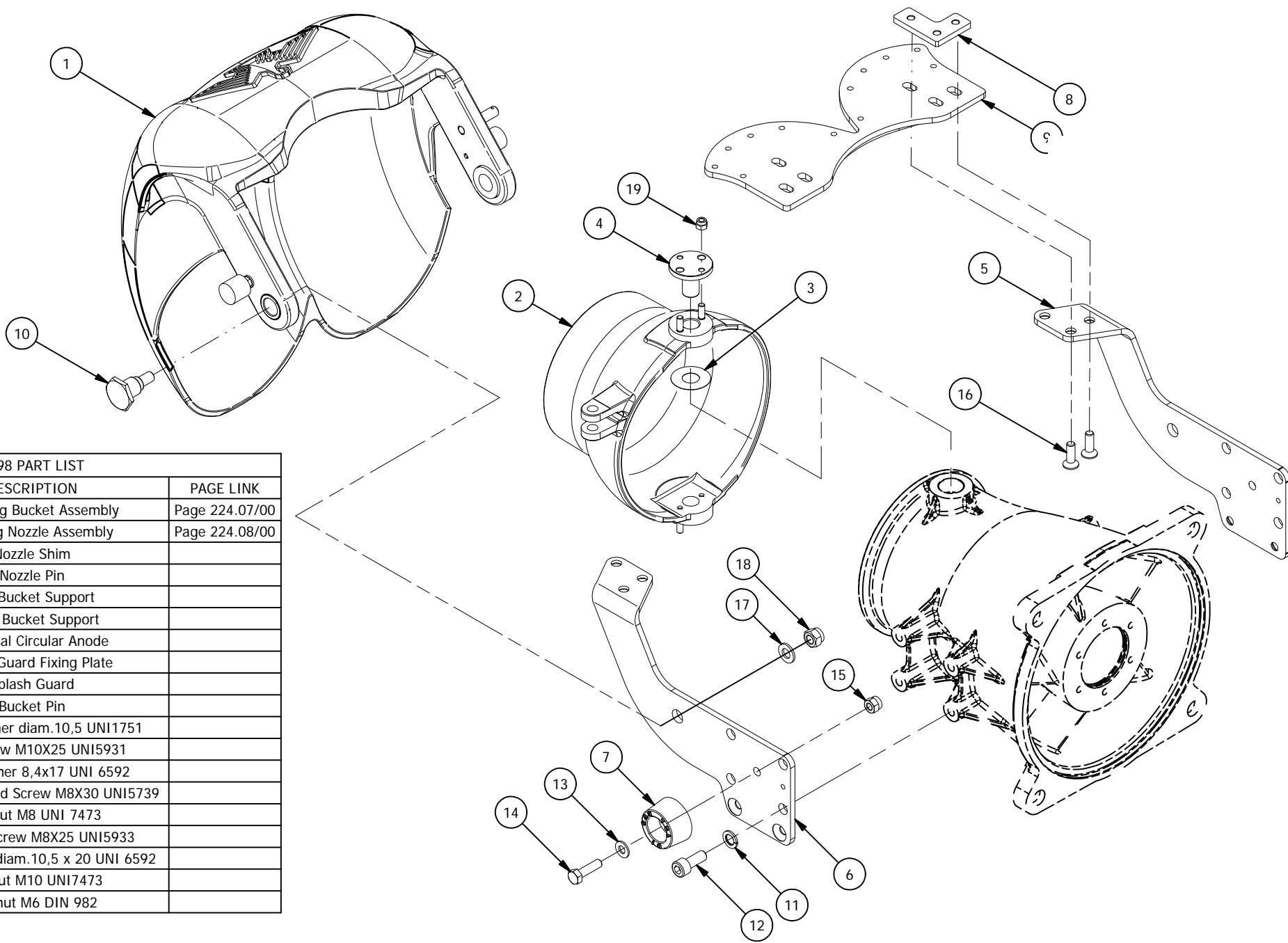
599.00350 – TD224 WATERJET SPARE PART KIT			
CODE	DESCRIPTION	QTY	PAGE LINK
599.00231	TD224 Anode Kit	1	
592.02240	TD224 Seal Kit	1	
300.04270	Bellow	1	224-16 224-18
552.70077	Bellow Bush	1	224-16 224-18



866.02240 PART LIST				
N.	QT	CODE	DESCRIPTION	PAGE LINK
1	1	595.70098	Tail Assembly	Page 224.02/00
2	1	595.70093	110hp/3200rpm nozzle and impeller assembly	Page 224.03/00
3	1	592.70092	Impeller Housing Assembly	Page 224.04/00
4	1	595.70090	Aft flange with flap and grid assembly	Page 224.05/00
5	1	595.70101	TD224 Drive Shaft Assembly	Page 224.06/00

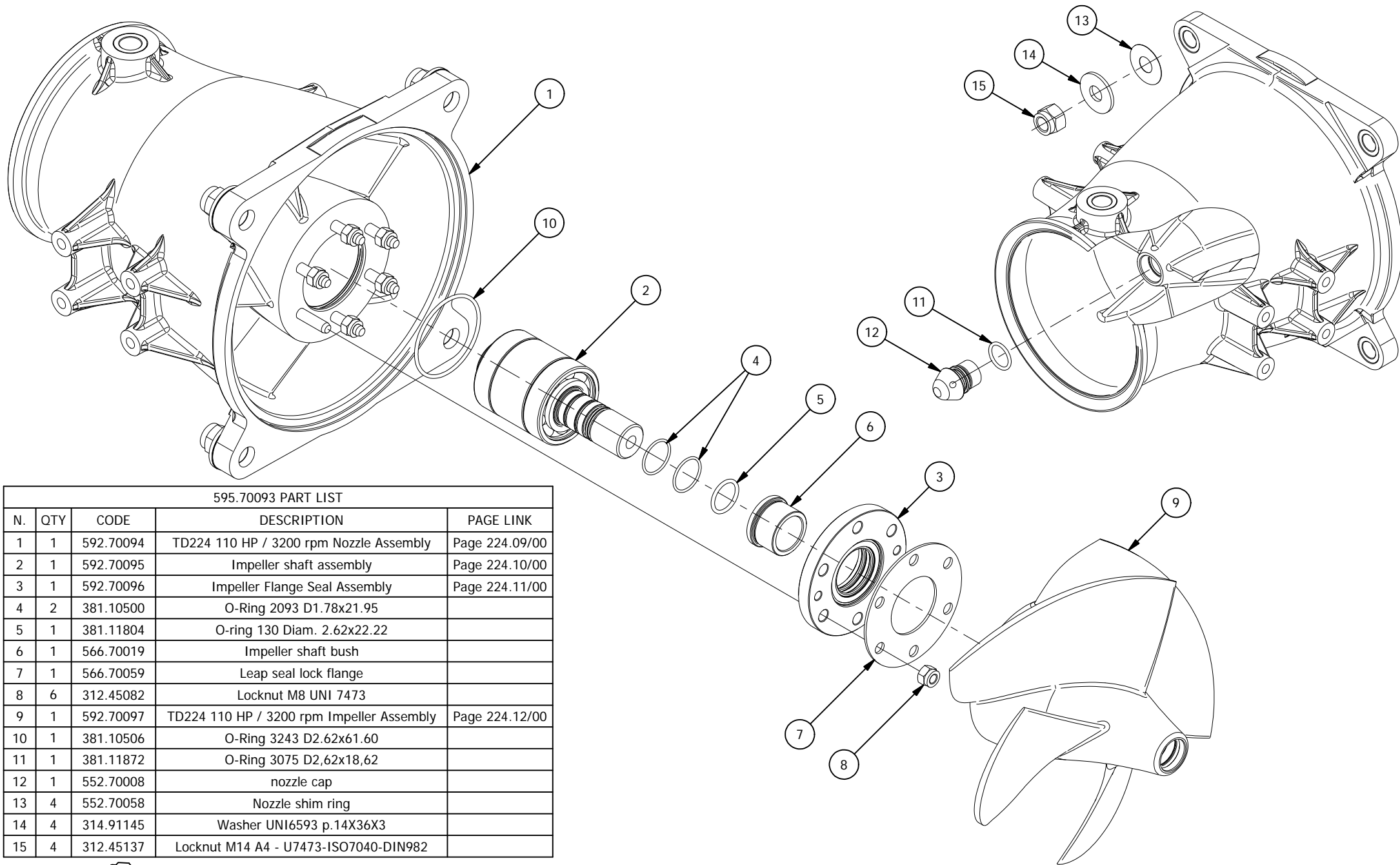


886.02240
Idrogetto Completo 110 HP / 3200 rpm
Waterjet Assembly 110 HP / 3200 rpm



595.70098 PART LIST

N.	QTY	CODE	DESCRIPTION	PAGE LINK
1	1	592.70099	Reversing Bucket Assembly	Page 224.07/00
2	1	592.70100	Steering Nozzle Assembly	Page 224.08/00
3	2	552.70023	Nozzle Shim	
4	2	566.70014	Nozzle Pin	
5	1	566.70020	Left Bucket Support	
6	1	566.70021	Right Bucket Support	
7	2	590.65139	Sacrificial Circular Anode	
8	2	566.70122	Splash Guard Fixing Plate	
9	1	590.70022	Splash Guard	
10	2	566.70017	Bucket Pin	
11	8	314.91082	Spring Washer diam.10,5 UNI1751	
12	8	311.55087	Allen Screw M10X25 UNI5931	
13	2	314.91084	Plain Washer 8,4x17 UNI 6592	
14	2	311.15153	Hexagonal-head Screw M8X30 UNI5739	
15	2	312.45082	Locknut M8 UNI 7473	
16	6	311.35885	Flathead Screw M8X25 UNI5933	
17	2	314.91105	Plain Washer diam.10,5 x 20 UNI 6592	
18	2	312.45136	Locknut M10 UNI7473	
19	4	312.45060	Locknut M6 DIN 982	

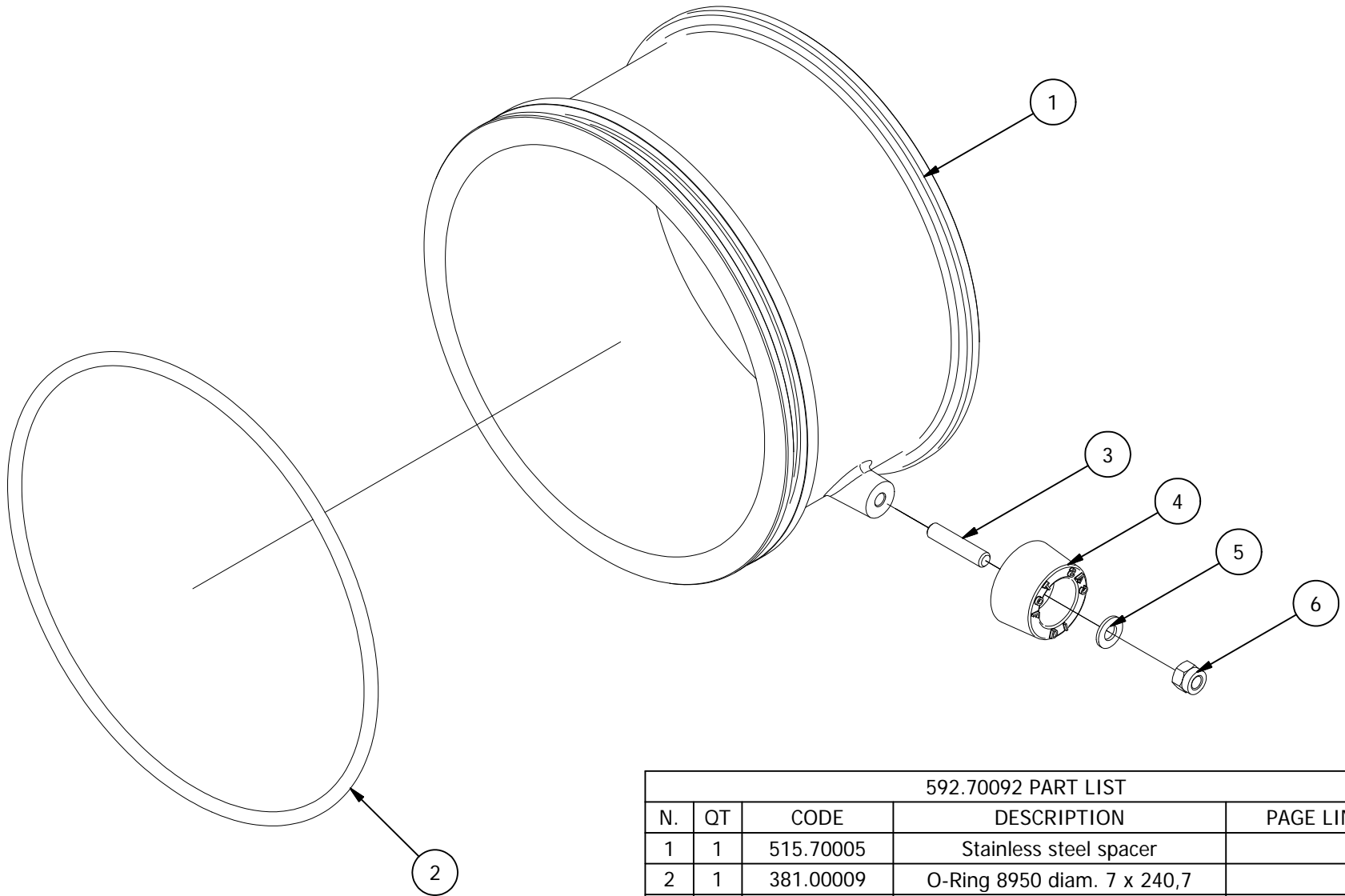


595.70093 PART LIST

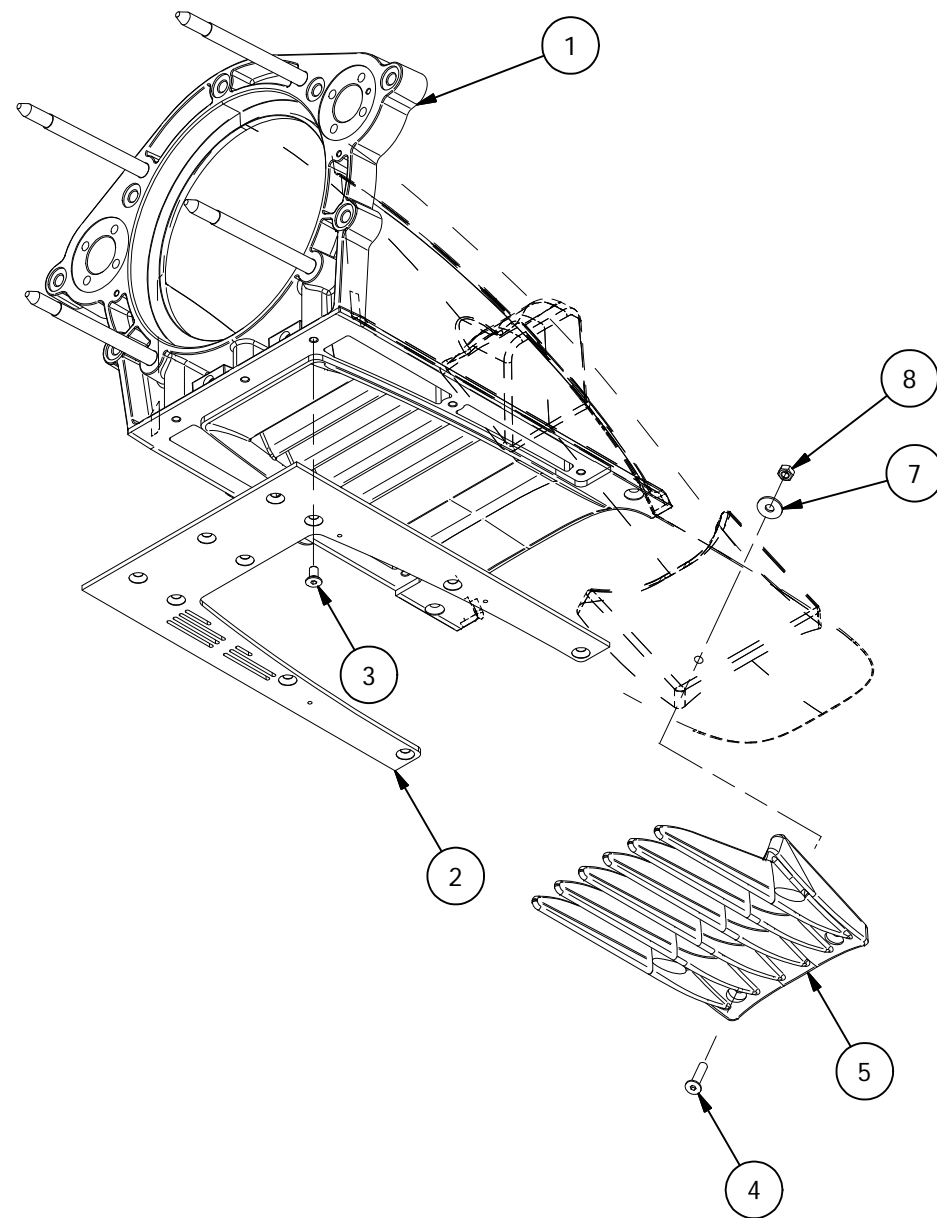
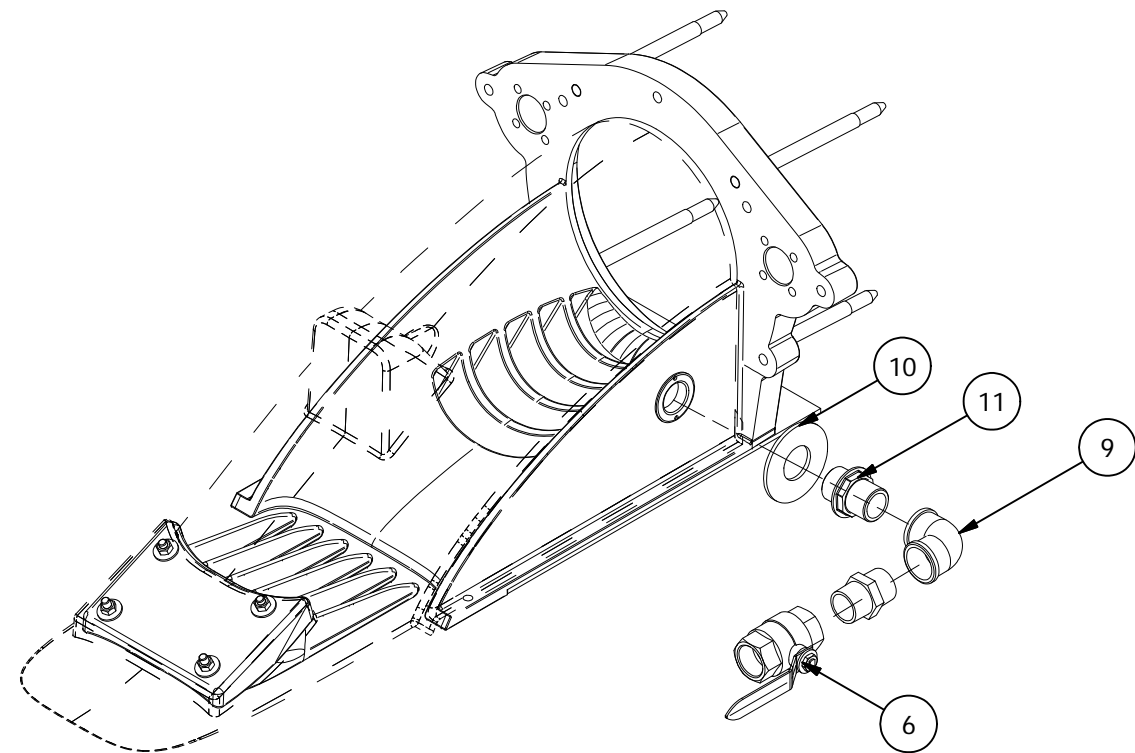
N.	QTY	CODE	DESCRIPTION	PAGE LINK
1	1	592.70094	TD224 110 HP / 3200 rpm Nozzle Assembly	Page 224.09/00
2	1	592.70095	Impeller shaft assembly	Page 224.10/00
3	1	592.70096	Impeller Flange Seal Assembly	Page 224.11/00
4	2	381.10500	O-Ring 2093 D1.78x21.95	
5	1	381.11804	O-ring 130 Diam. 2.62x22.22	
6	1	566.70019	Impeller shaft bush	
7	1	566.70059	Leap seal lock flange	
8	6	312.45082	Locknut M8 UNI 7473	
9	1	592.70097	TD224 110 HP / 3200 rpm Impeller Assembly	Page 224.12/00
10	1	381.10506	O-Ring 3243 D2.62x61.60	
11	1	381.11872	O-Ring 3075 D2,62x18,62	
12	1	552.70008	nozzle cap	
13	4	552.70058	Nozzle shim ring	
14	4	314.91145	Washer UNI6593 p.14X36X3	
15	4	312.45137	Locknut M14 A4 - U7473-ISO7040-DIN982	



595.70093
Raddrizzatore e girante 110hp/3200rpm
110hp/3200rpm nozzle and impeller assembly



592.70092 PART LIST				
N.	QT	CODE	DESCRIPTION	PAGE LINK
1	1	515.70005	Stainless steel spacer	
2	1	381.00009	O-Ring 8950 diam. 7 x 240,7	
3	2	313.15070	Stud bolt M8x38x14x20	
4	2	590.65139	Sacrificial Circular Anode	
5	2	314.91084	Plain Washer 8,4x17 UNI 6592	
6	2	312.45082	Locknut M8 UNI 7473	

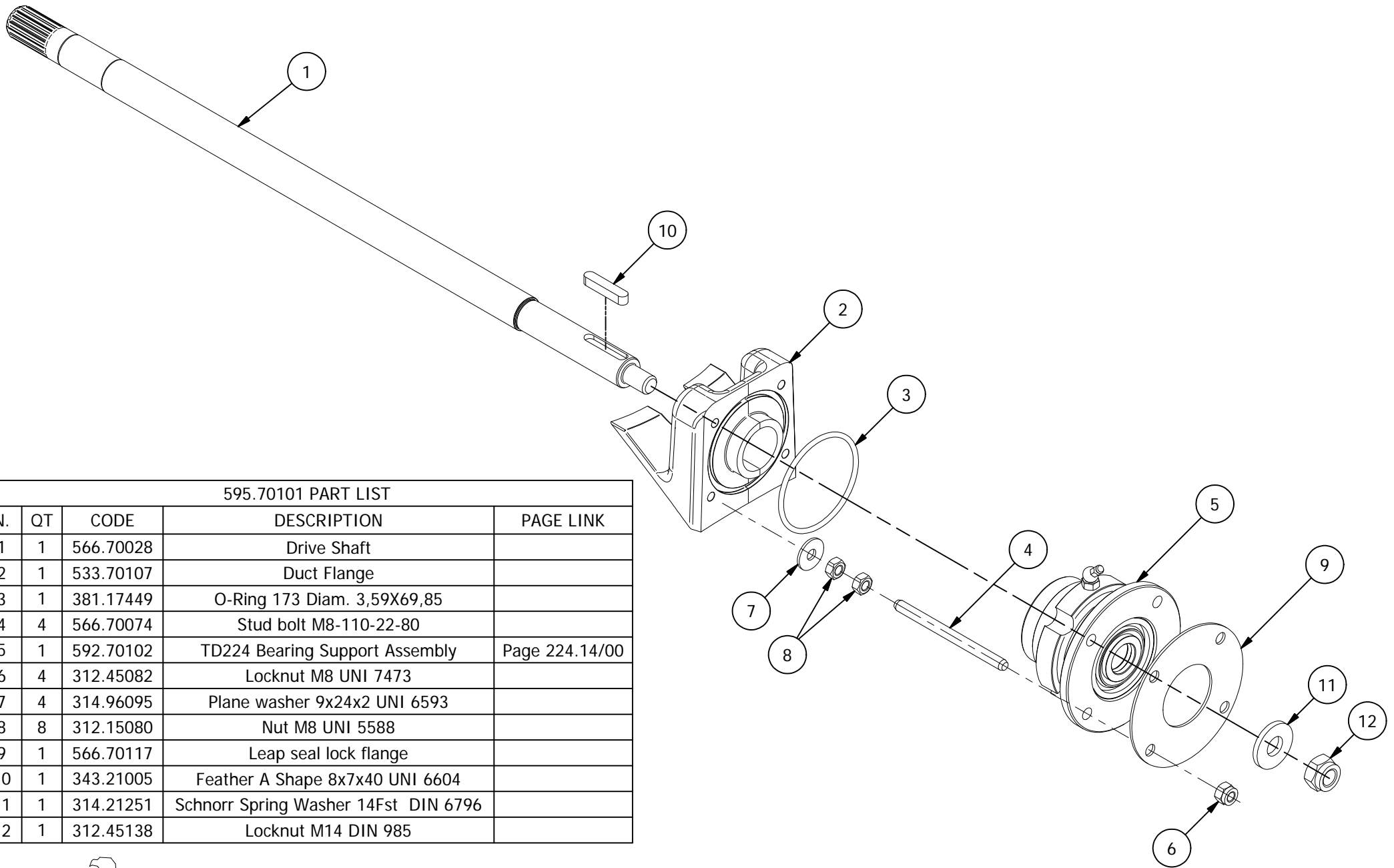


595.70090 PART LIST

N.	QT	CODE	DESCRIPTION	PAGE LINK
1	1	592.70091	TD224 DD Aft Flange Assembly	Page 224.13/00
2	1	572.70039	TD224 flap	
3	7	311.35076	Allen Screw M8x16 UNI 5933	
4	4	311.35077	Allen screw M8X35 UNI5933 A4	
5	1	533.70003	Fixed grid	
6	1	300.00670	Ball Valve F-F 1" GAS	
7	4	314.96095	Plane washer 9x24x2 UNI 6593	
8	4	312.15080	Nut M8 UNI 5588	
9	1	300.00197	Elbow F-F 1" GAS	
10	1	566.70126	Special washer 35x68x2	
11	1	500.00687	Nipple M-M 1" d25	
12	1	300.04475	Double Nipple 1" GAS	



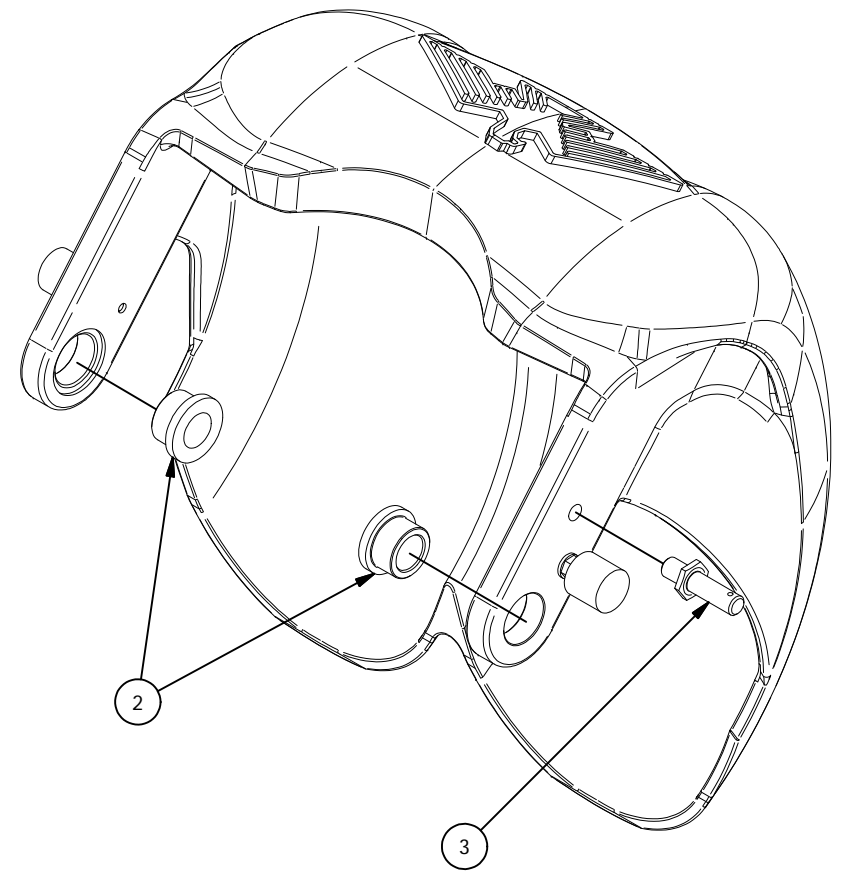
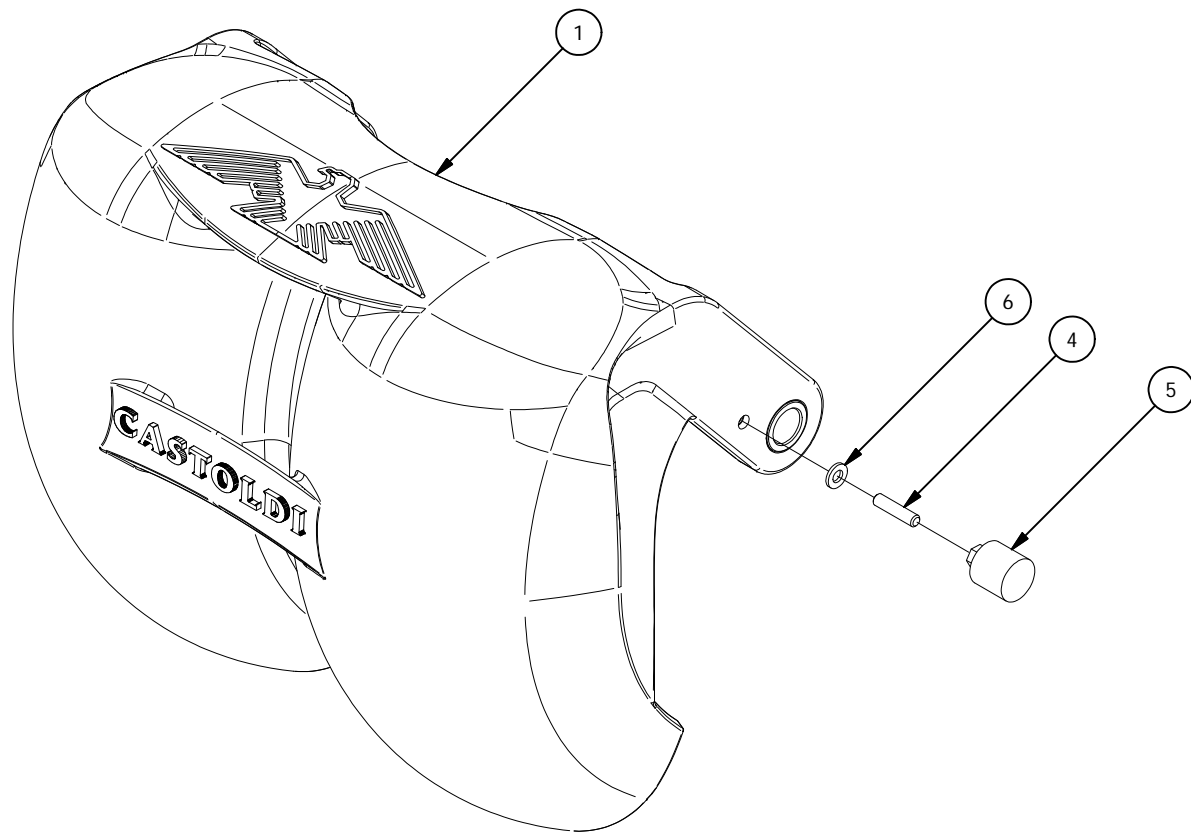
595.70090
Flangia di poppa - flap e griglia
Aft flange with flap and grid assembly



595.70101 PART LIST				
N.	QT	CODE	DESCRIPTION	PAGE LINK
1	1	566.70028	Drive Shaft	
2	1	533.70107	Duct Flange	
3	1	381.17449	O-Ring 173 Diam. 3,59X69,85	
4	4	566.70074	Stud bolt M8-110-22-80	
5	1	592.70102	TD224 Bearing Support Assembly	Page 224.14/00
6	4	312.45082	Locknut M8 UNI 7473	
7	4	314.96095	Plane washer 9x24x2 UNI 6593	
8	8	312.15080	Nut M8 UNI 5588	
9	1	566.70117	Leap seal lock flange	
10	1	343.21005	Feather A Shape 8x7x40 UNI 6604	
11	1	314.21251	Schnorr Spring Washer 14Fst DIN 6796	
12	1	312.45138	Locknut M14 DIN 985	



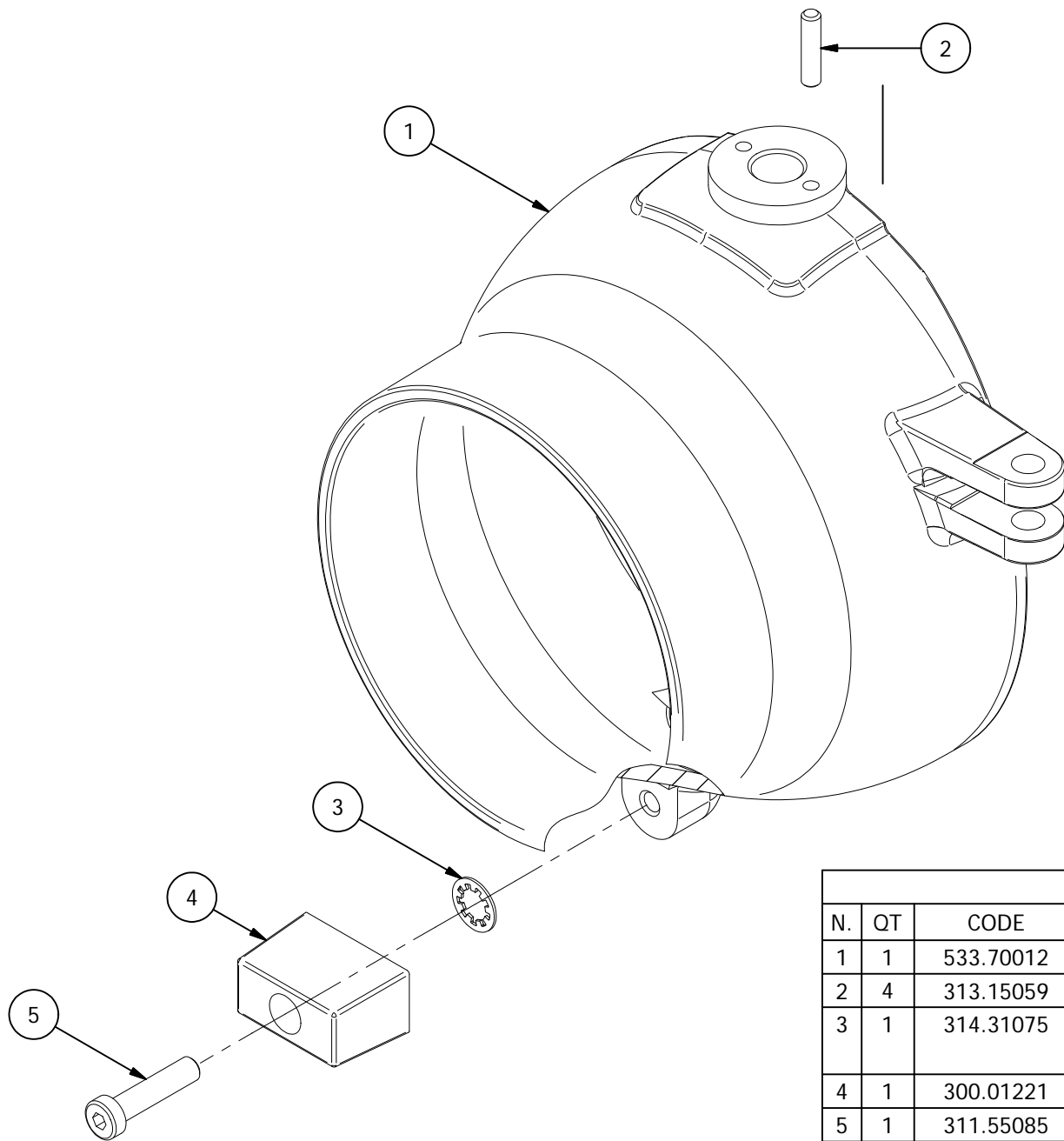
595.70101
Trasmissione TD224 Completa
TD224 Drive Shaft Assembly



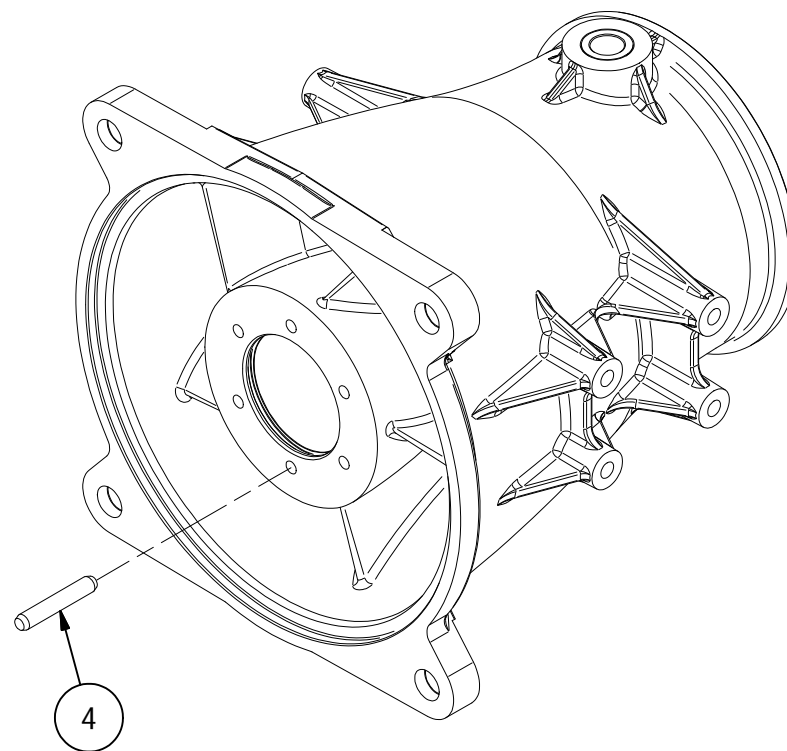
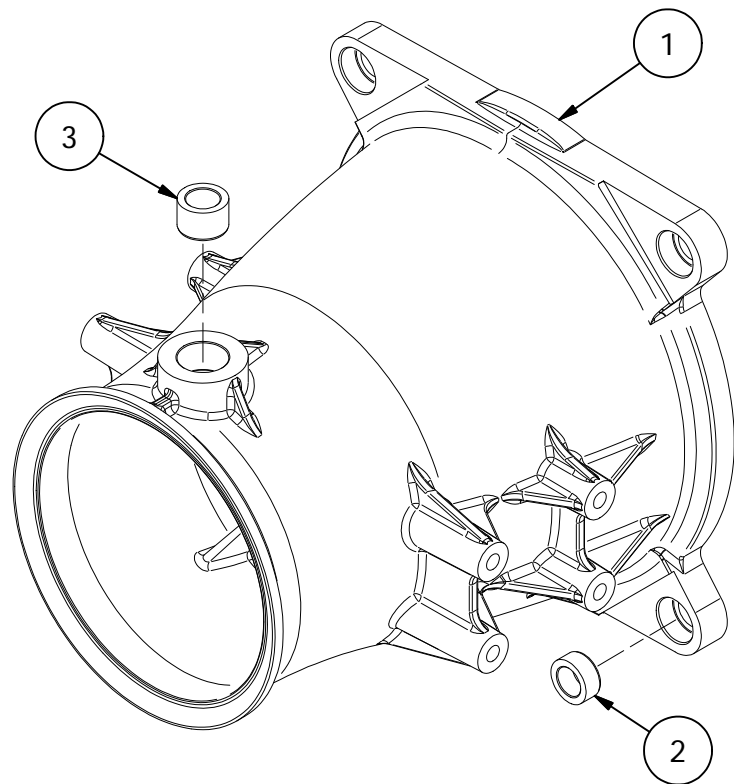
592.70099 PART LIST				
N.	QTY	CODE	DESCRIPTION	PAGE LINK
1	1	533.70015	Bucket	
2	2	552.70016	Bucket bush	
3	1	566.70018	Pin	
4	2	313.15059	Stud bolt M6x26x10x12	
5	2	590.14008	Sacrificial anode with special nut M6	
6	2	314.91065	Plain Washer diam. 6.4 x 12.5 UNI 6592	



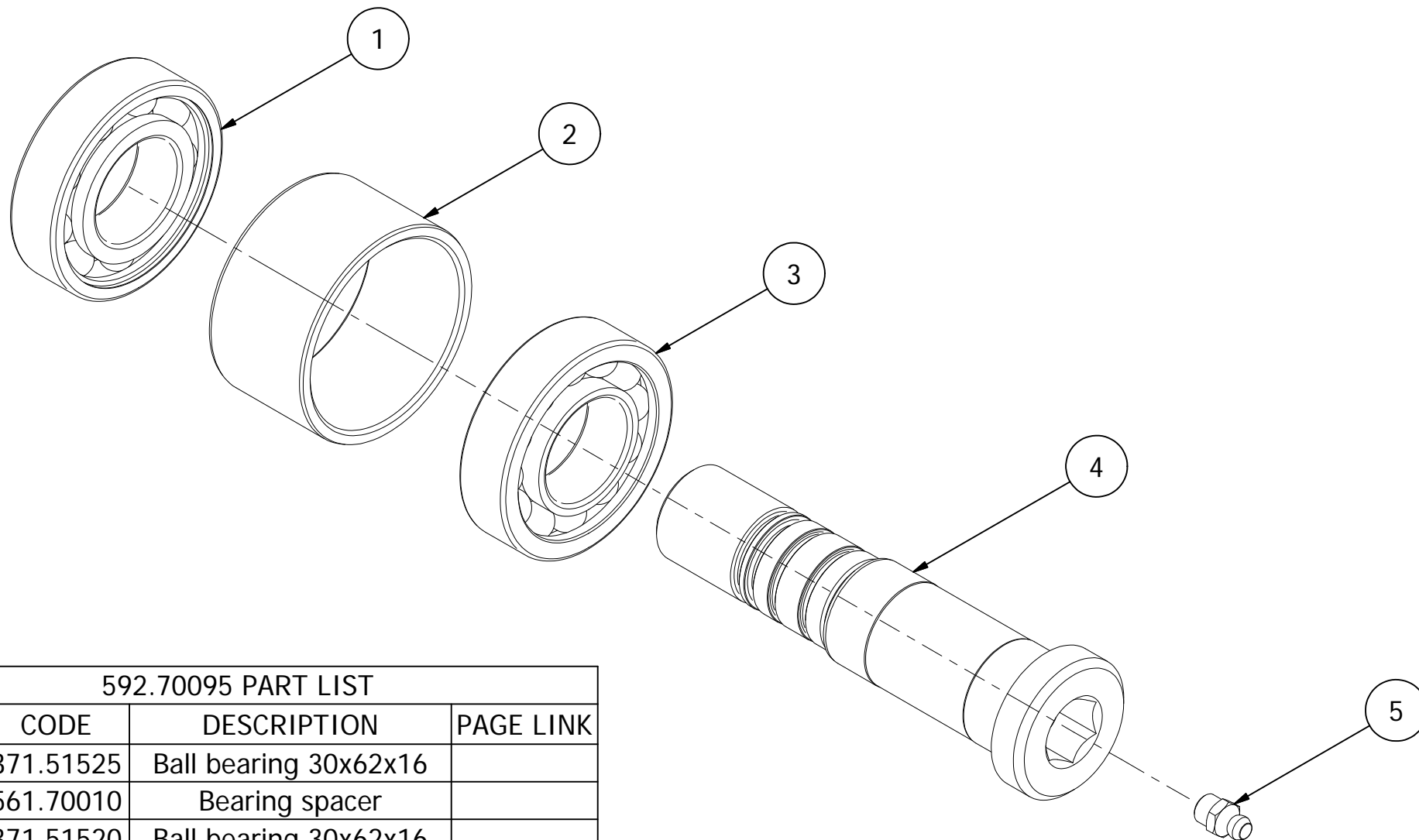
592.70099
Deflettore completo
Reversing Bucket Assembly



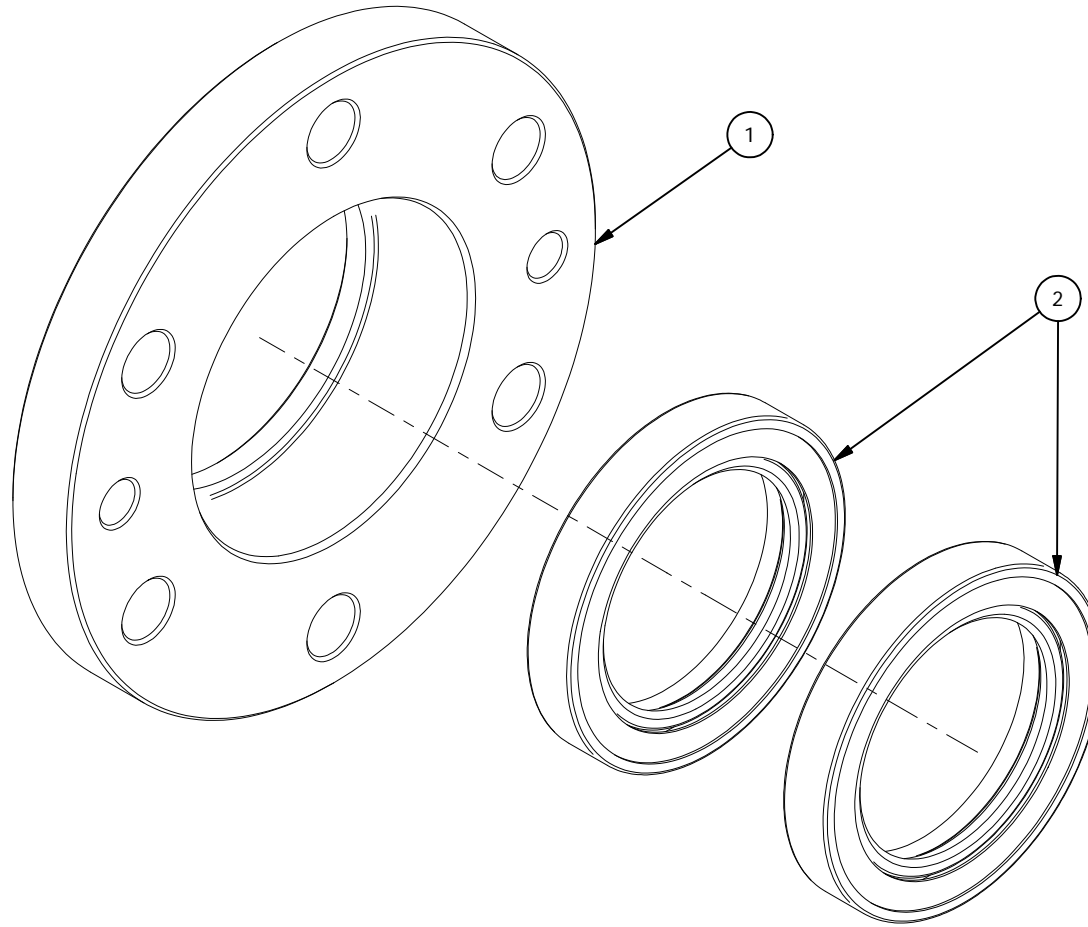
592.70100 PART LIST				
N.	QT	CODE	DESCRIPTION	PAGE LINK
1	1	533.70012	Steering nozzle	
2	4	313.15059	Stud bolt M6x26x10x12	
3	1	314.31075	Lock Washer with Internal Theet d. 8,2 UNI 3704	
4	1	300.01221	Sacrificial Anode	
5	1	311.55085	Allen screw M8x35	



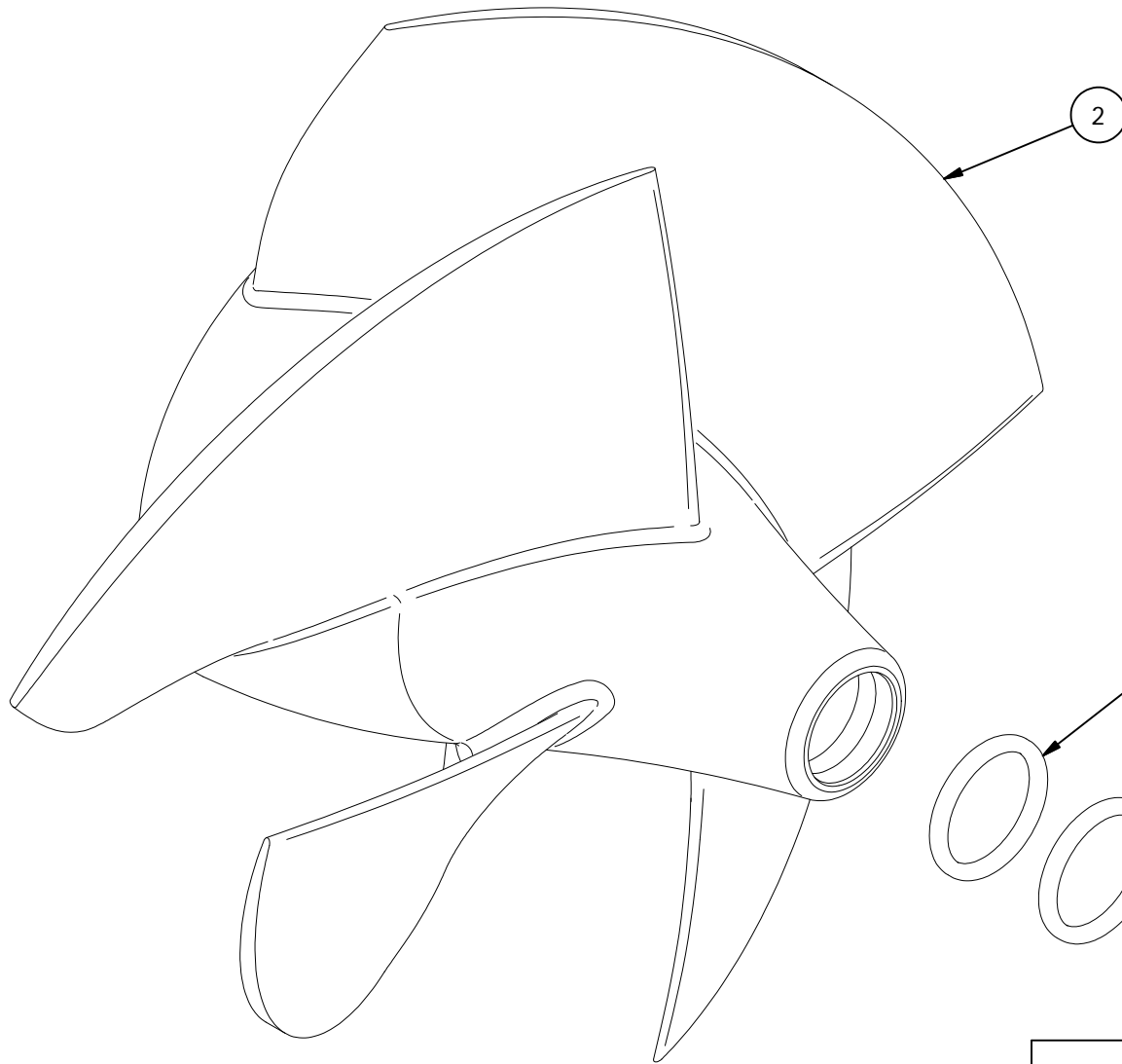
592.70094 PART LIST				
N	QT	CODE	DESCRIPTION	PAGE LINK
1	1	533.70007	Nozzle	
2	4	552.70038	Insulating bush	
3	2	552.70013	Nozzle bush	
4	6	313.15072	Stud bolt M8x48x20x20	



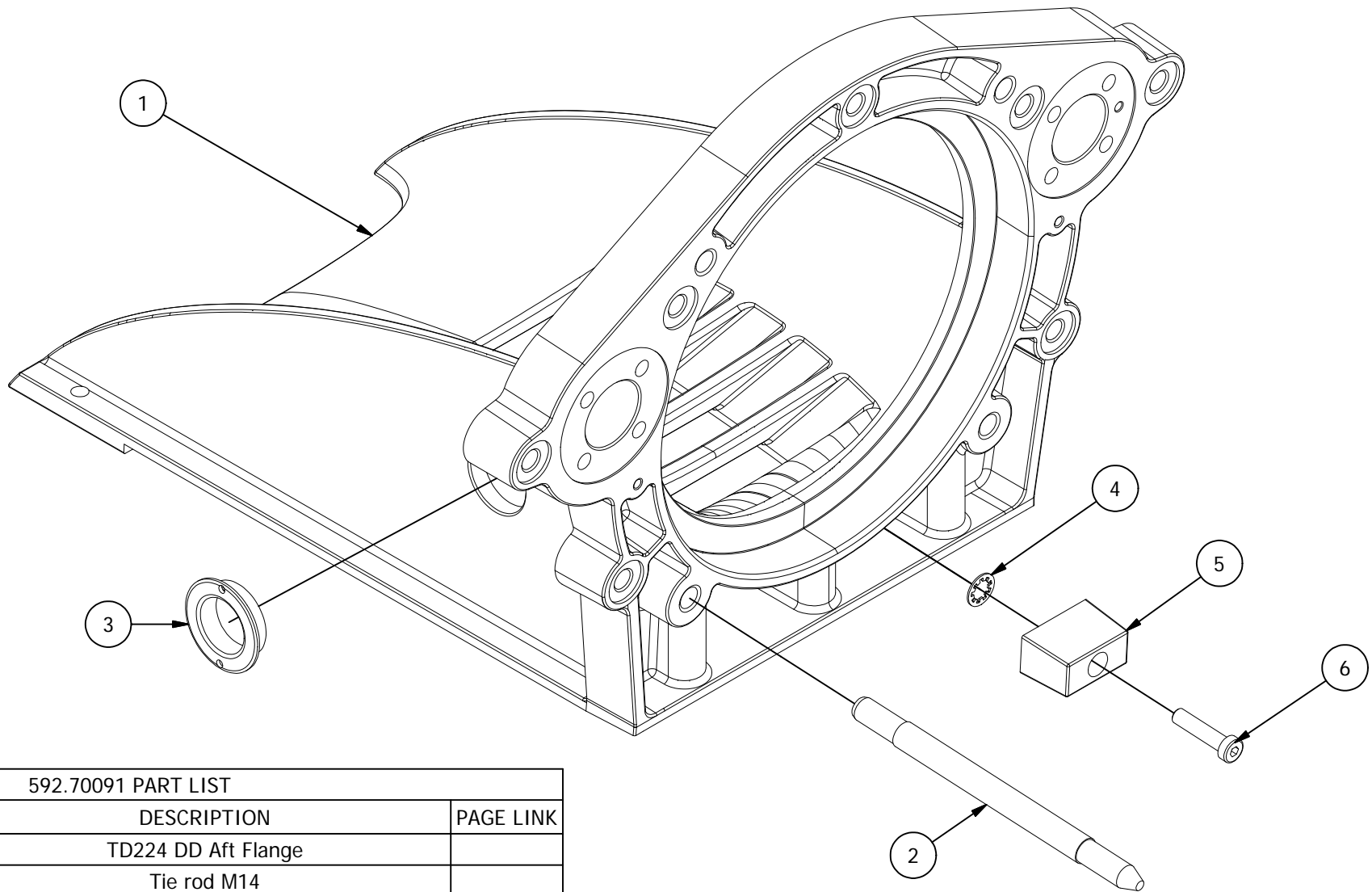
592.70095 PART LIST				
N.	QT	CODE	DESCRIPTION	PAGE LINK
1	1	371.51525	Ball bearing 30x62x16	
2	1	561.70010	Bearing spacer	
3	1	371.51520	Ball bearing 30x62x16	
4	1	566.70009	Impeller shaft	
5	1	300.00920	Grease nipple	



592.70096 PART LIST				
N.	QTY	CODE	DESCRIPTION	PAGE LINK
1	1	572.70011	Sealing flange	
2	2	382.13508	Leap Seal 35 x 52 x 8 with Spring	

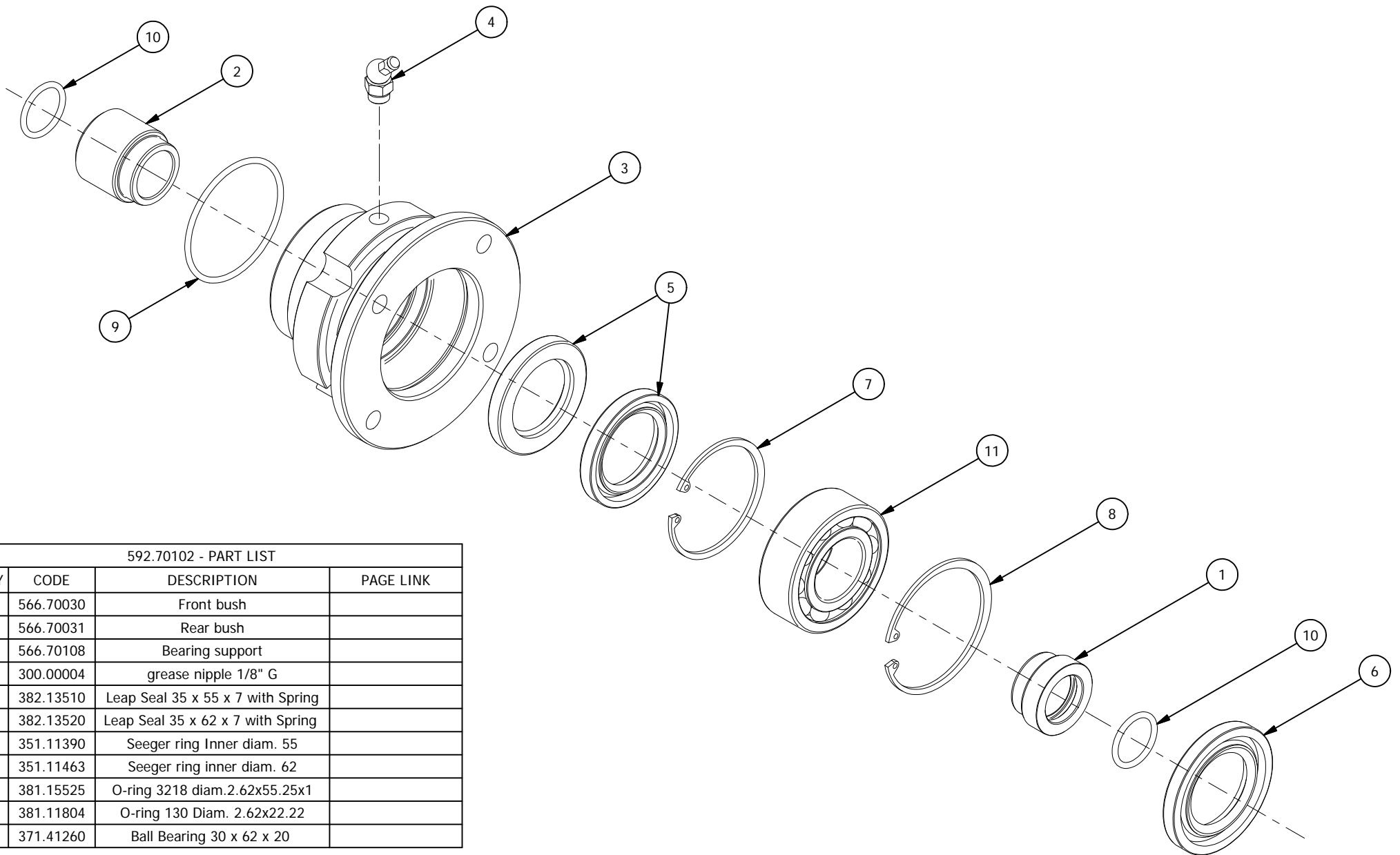


PART LIST				
N.	QT	CODE	DESCRIPTION	PAGE LINK
2	1	515.70055	TD224DD 110Hp/3200Rpm impeller	
1	2	381.12500	O-ring 4100 Diam. 24.99x3.53	



592.70091 PART LIST

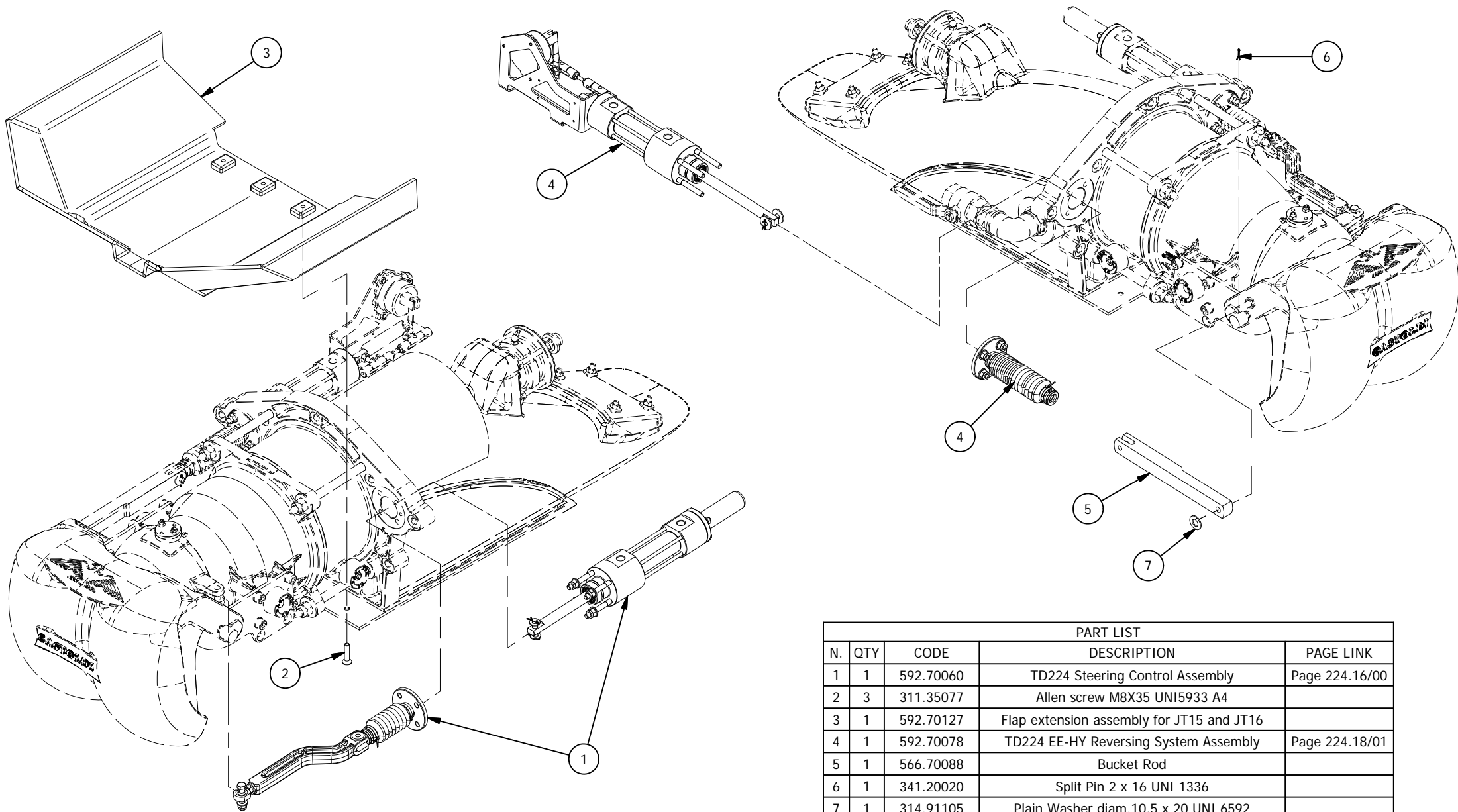
N.	QT	CODE	DESCRIPTION	PAGE LINK
1	1	533.70001	TD224 DD Aft Flange	
2	4	566.70006	Tie rod M14	
3	1	566.70121	Insert M40x1,5	
4	2	314.31075	Lock Washer with Internal Theet d. 8,2 UNI 3704	
5	2	300.01221	Sacrificial Anode	
6	2	311.55085	Allen screw M8x35	



592.70102 - PART LIST				
N.	QTY	CODE	DESCRIPTION	PAGE LINK
1	1	566.70030	Front bush	
2	1	566.70031	Rear bush	
3	1	566.70108	Bearing support	
4	1	300.00004	grease nipple 1/8" G	
5	2	382.13510	Leap Seal 35 x 55 x 7 with Spring	
6	1	382.13520	Leap Seal 35 x 62 x 7 with Spring	
7	1	351.11390	Seeger ring Inner diam. 55	
8	1	351.11463	Seeger ring inner diam. 62	
9	1	381.15525	O-ring 3218 diam.2.62x55.25x1	
10	2	381.11804	O-ring 130 Diam. 2.62x22.22	
11	1	371.41260	Ball Bearing 30 x 62 x 20	



592.70102
Supporto Cuscinetto TD224 Completo
TD224 Bearing Support Assembly

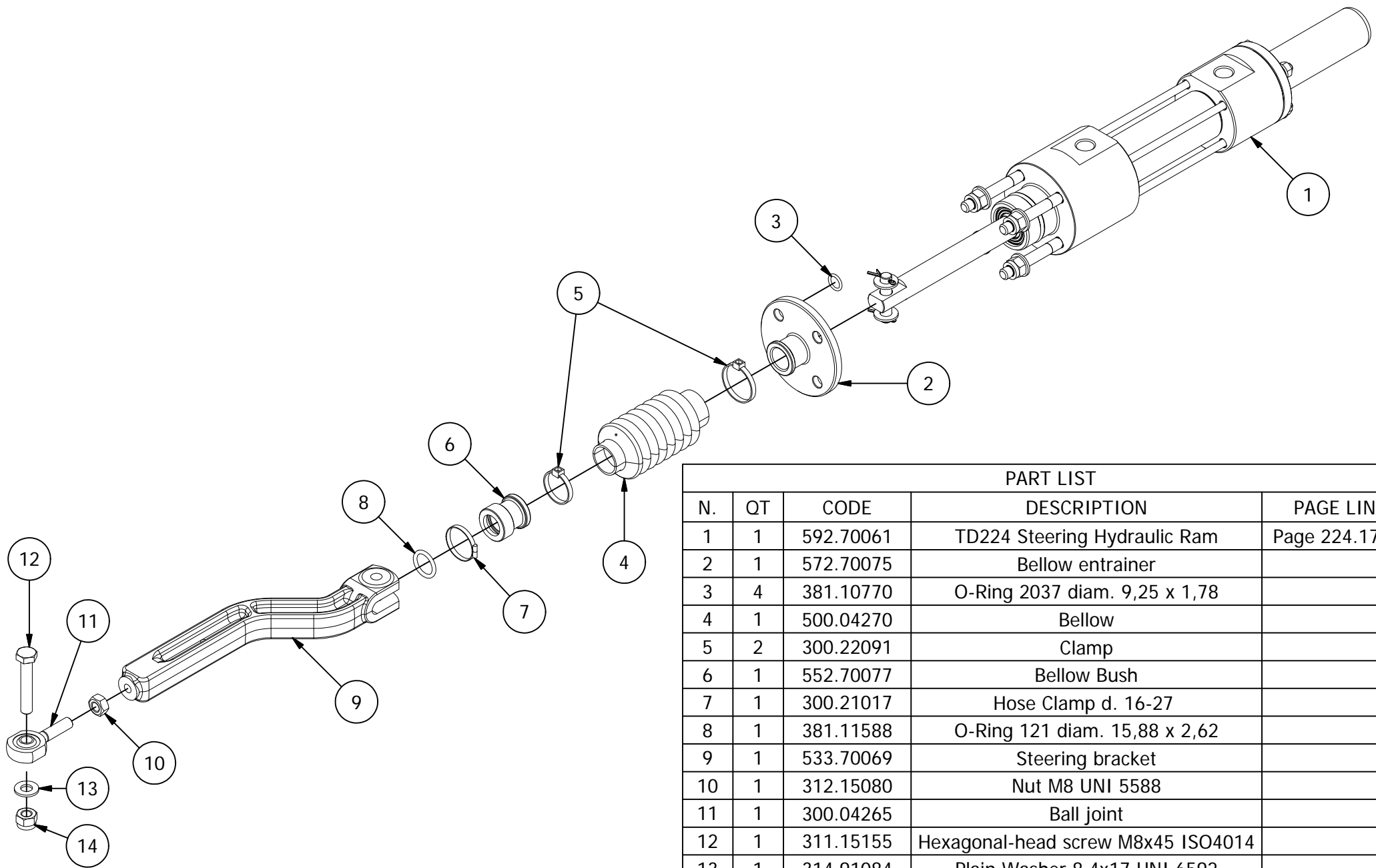


PART LIST				
N.	QTY	CODE	DESCRIPTION	PAGE LINK
1	1	592.70060	TD224 Steering Control Assembly	Page 224.16/00
2	3	311.35077	Allen screw M8X35 UNI5933 A4	
3	1	592.70127	Flap extension assembly for JT15 and JT16	
4	1	592.70078	TD224 EE-HY Reversing System Assembly	Page 224.18/01
5	1	566.70088	Bucket Rod	
6	1	341.20020	Split Pin 2 x 16 UNI 1336	
7	1	314.91105	Plain Washer diam.10,5 x 20 UNI 6592	



Installazione per JT15 e JT16 con Sterzo Man. Idraulico e Retro EE-HY
Install. for JT15 and JT16 with Manual Hydraulic Steering and EE-HY Reversing System

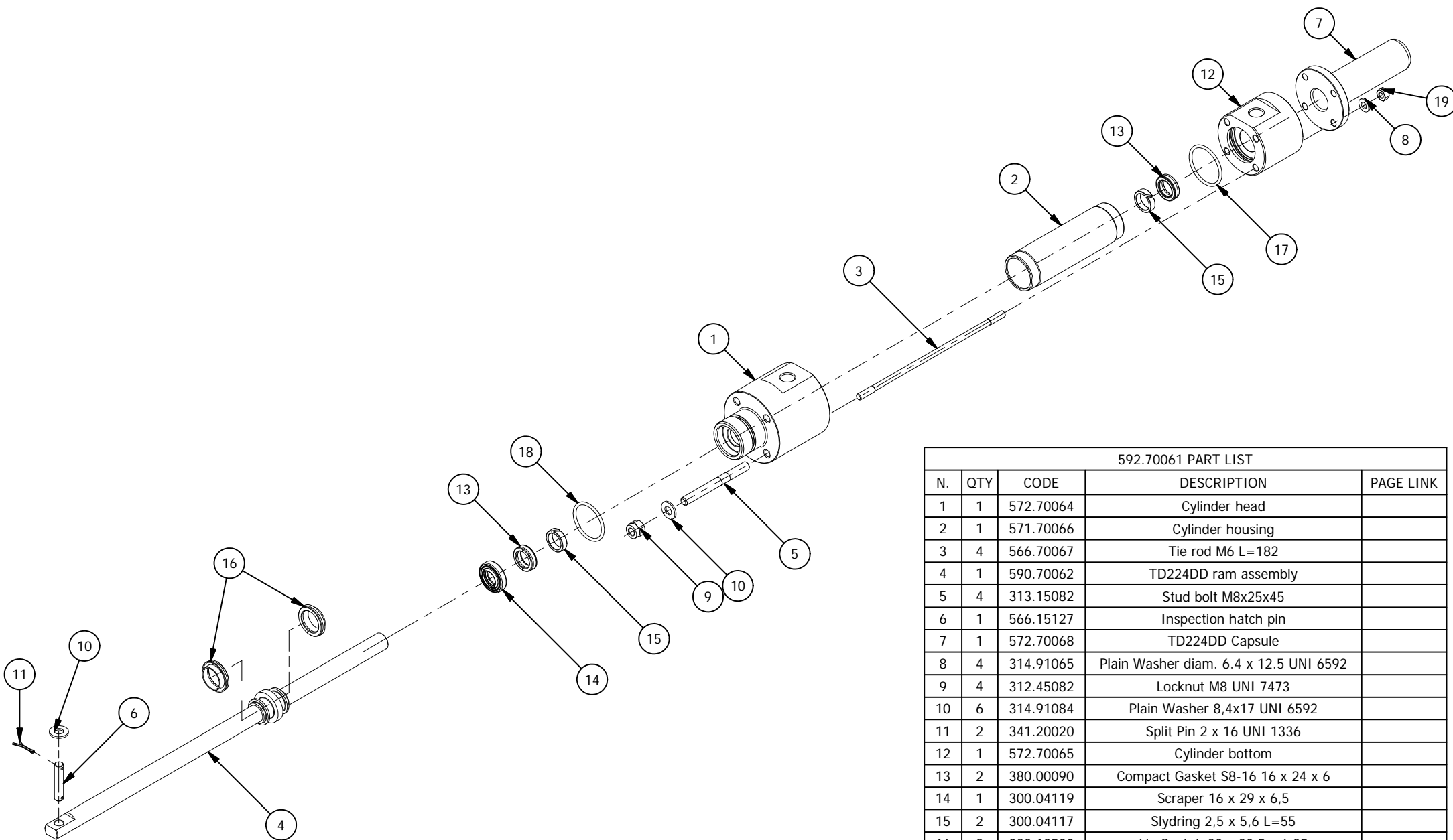
Page 224.15/01



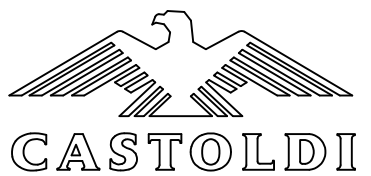
PART LIST				
N.	QT	CODE	DESCRIPTION	PAGE LINK
1	1	592.70061	TD224 Steering Hydraulic Ram	Page 224.17/00
2	1	572.70075	Bellow entrainer	
3	4	381.10770	O-Ring 2037 diam. 9,25 x 1,78	
4	1	500.04270	Bellow	
5	2	300.22091	Clamp	
6	1	552.70077	Bellow Bush	
7	1	300.21017	Hose Clamp d. 16-27	
8	1	381.11588	O-Ring 121 diam. 15,88 x 2,62	
9	1	533.70069	Steering bracket	
10	1	312.15080	Nut M8 UNI 5588	
11	1	300.04265	Ball joint	
12	1	311.15155	Hexagonal-head screw M8x45 ISO4014	
13	1	314.91084	Plain Washer 8,4x17 UNI 6592	
14	1	312.45082	Locknut M8 UNI 7473	



592.70060
Comando Sterzo TD224 Completo
TD224 Steering Control Assembly



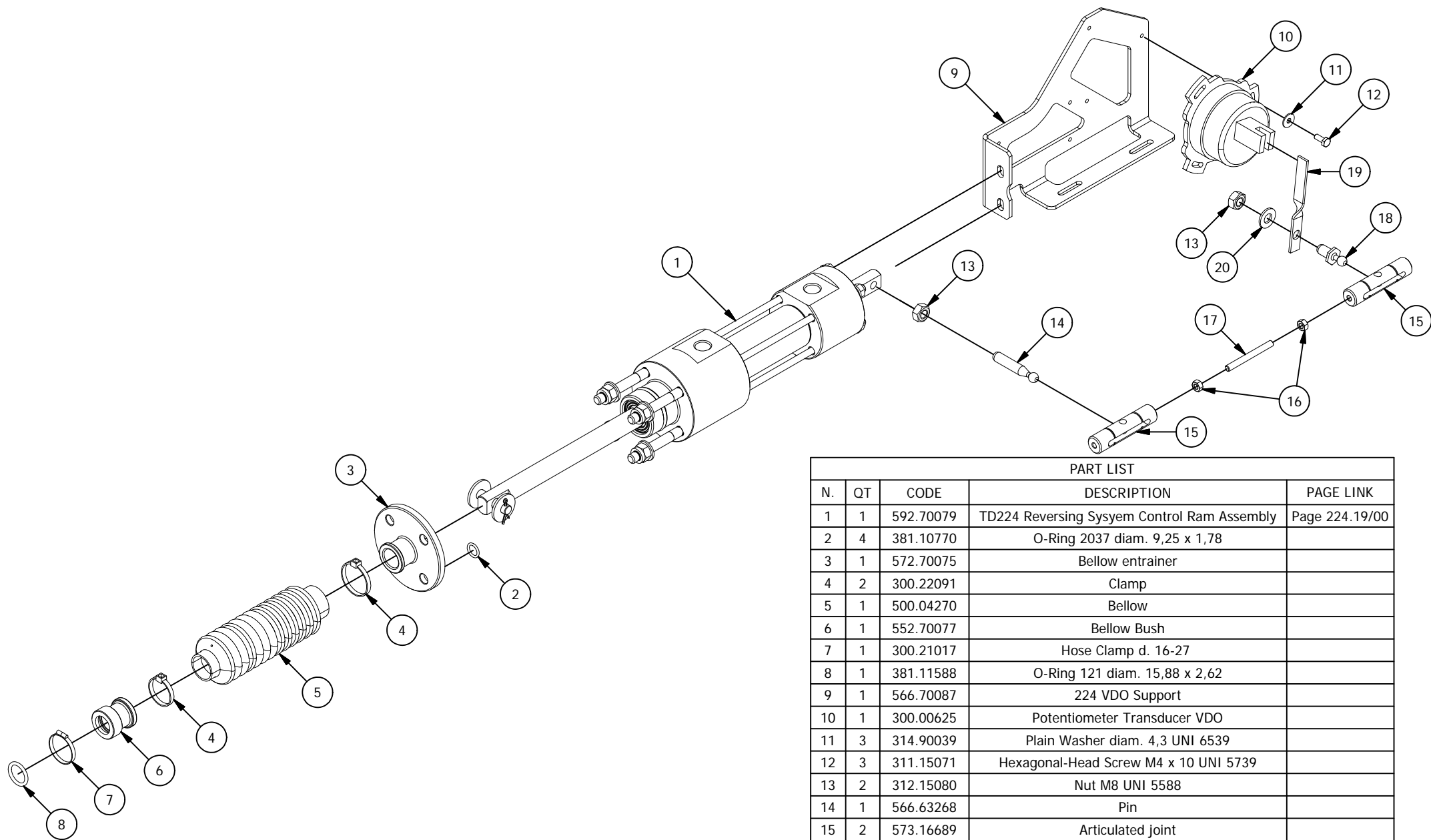
592.70061 PART LIST				
N.	QTY	CODE	DESCRIPTION	PAGE LINK
1	1	572.70064	Cylinder head	
2	1	571.70066	Cylinder housing	
3	4	566.70067	Tie rod M6 L=182	
4	1	590.70062	TD224DD ram assembly	
5	4	313.15082	Stud bolt M8x25x45	
6	1	566.15127	Inspection hatch pin	
7	1	572.70068	TD224DD Capsule	
8	4	314.91065	Plain Washer diam. 6.4 x 12.5 UNI 6592	
9	4	312.45082	Locknut M8 UNI 7473	
10	6	314.91084	Plain Washer 8,4x17 UNI 6592	
11	2	341.20020	Split Pin 2 x 16 UNI 1336	
12	1	572.70065	Cylinder bottom	
13	2	380.00090	Compact Gasket S8-16 16 x 24 x 6	
14	1	300.04119	Scraper 16 x 29 x 6,5	
15	2	300.04117	Slydring 2,5 x 5,6 L=55	
16	2	383.12500	Lip Seal d. 30 x 20,5 x 6,35	
17	2	381.13460	O-Ring 3137 diam. 34,60 x 2,62	
18	1	381.13135	O-Ring 3125 diam. 31,42 x 2,62	
19	4	312.15060	Nut M6 x 1 UNI 5588	



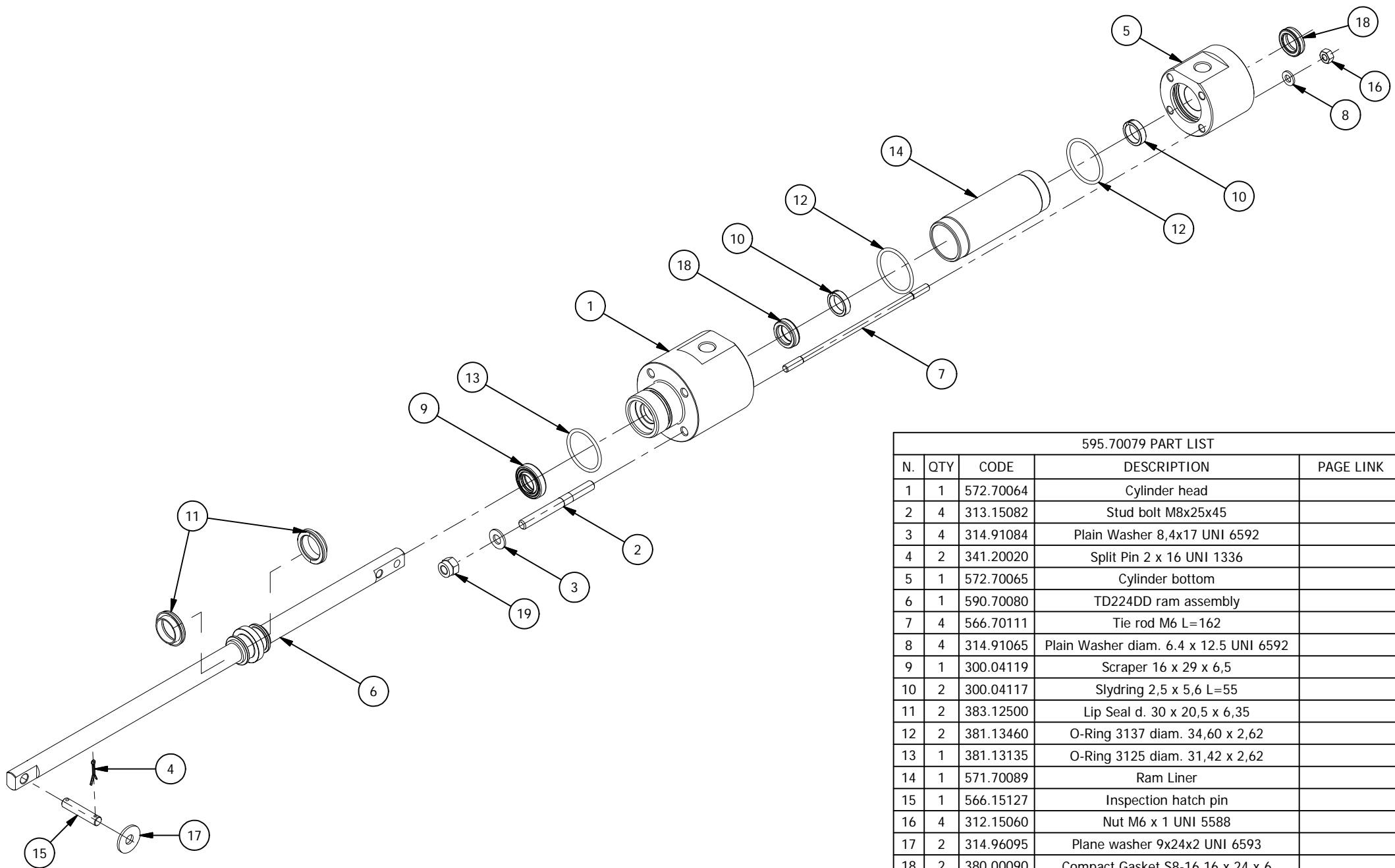
592.70061
Cilindro Sterzo TD224 Completo
TD224 Steering Hydraulic Ram



592.70078
Servocomando EE-HY 224 completo
TD224 EE-HY Reversing System Assembly



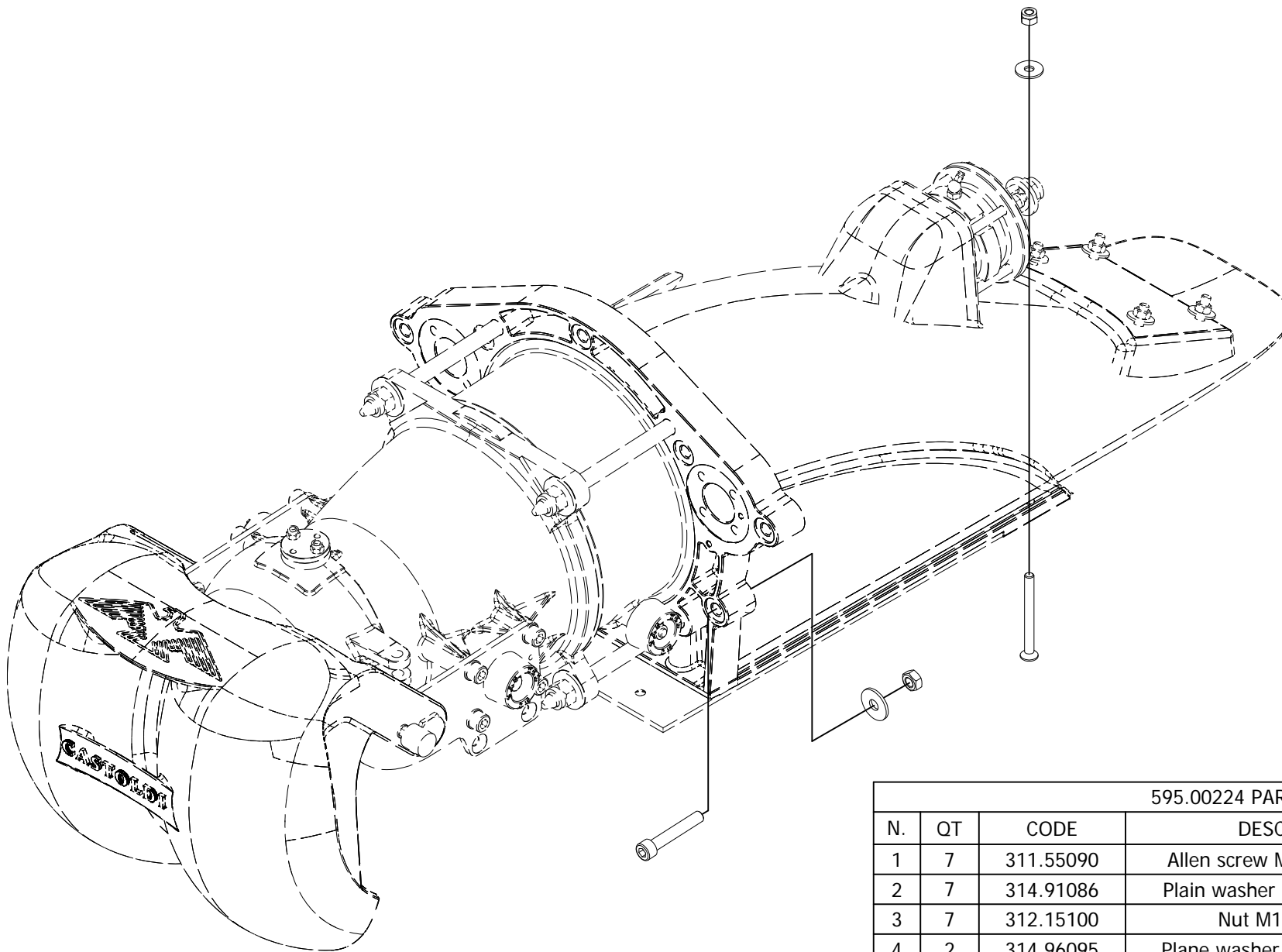
PART LIST				
N.	QT	CODE	DESCRIPTION	PAGE LINK
1	1	592.70079	TD224 Reversing Sysyem Control Ram Assembly	Page 224.19/00
2	4	381.10770	O-Ring 2037 diam. 9,25 x 1,78	
3	1	572.70075	Bellow entrainer	
4	2	300.22091	Clamp	
5	1	500.04270	Bellow	
6	1	552.70077	Bellow Bush	
7	1	300.21017	Hose Clamp d. 16-27	
8	1	381.11588	O-Ring 121 diam. 15,88 x 2,62	
9	1	566.70087	224 VDO Support	
10	1	300.00625	Potentiometer Transducer VDO	
11	3	314.90039	Plain Washer diam. 4,3 UNI 6539	
12	3	311.15071	Hexagonal-Head Screw M4 x 10 UNI 5739	
13	2	312.15080	Nut M8 UNI 5588	
14	1	566.63268	Pin	
15	2	573.16689	Articulated joint	
16	2	312.15050	Nut UNI 5588 - M5 - 0,8	
17	1	311.05055	Grub Screw M5x50 UNI 5923	
18	1	566.66137	Pin	
19	1	566.16497	Potentiometer Transducer VDO Lever	
20	1	314.91084	Plain Washer 8,4x17 UNI 6592	



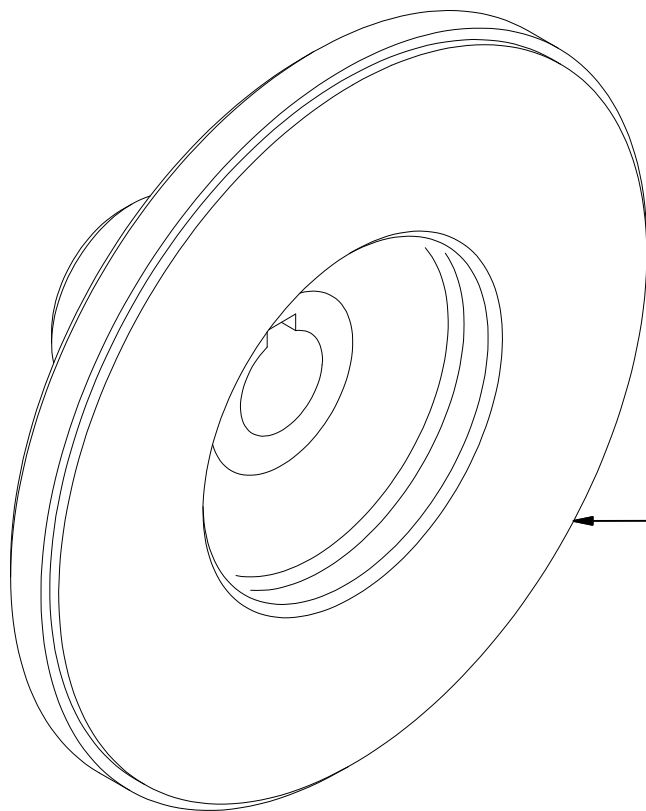
595.70079 PART LIST				
N.	QTY	CODE	DESCRIPTION	PAGE LINK
1	1	572.70064	Cylinder head	
2	4	313.15082	Stud bolt M8x25x45	
3	4	314.91084	Plain Washer 8,4x17 UNI 6592	
4	2	341.20020	Split Pin 2 x 16 UNI 1336	
5	1	572.70065	Cylinder bottom	
6	1	590.70080	TD224DD ram assembly	
7	4	566.70111	Tie rod M6 L=162	
8	4	314.91065	Plain Washer diam. 6.4 x 12.5 UNI 6592	
9	1	300.04119	Scraper 16 x 29 x 6,5	
10	2	300.04117	Slydring 2,5 x 5,6 L=55	
11	2	383.12500	Lip Seal d. 30 x 20,5 x 6,35	
12	2	381.13460	O-Ring 3137 diam. 34,60 x 2,62	
13	1	381.13135	O-Ring 3125 diam. 31,42 x 2,62	
14	1	571.70089	Ram Liner	
15	1	566.15127	Inspection hatch pin	
16	4	312.15060	Nut M6 x 1 UNI 5588	
17	2	314.96095	Plane washer 9x24x2 UNI 6593	
18	2	380.00090	Compact Gasket S8-16 16 x 24 x 6	
19	4	312.45082	Locknut M8 UNI 7473	



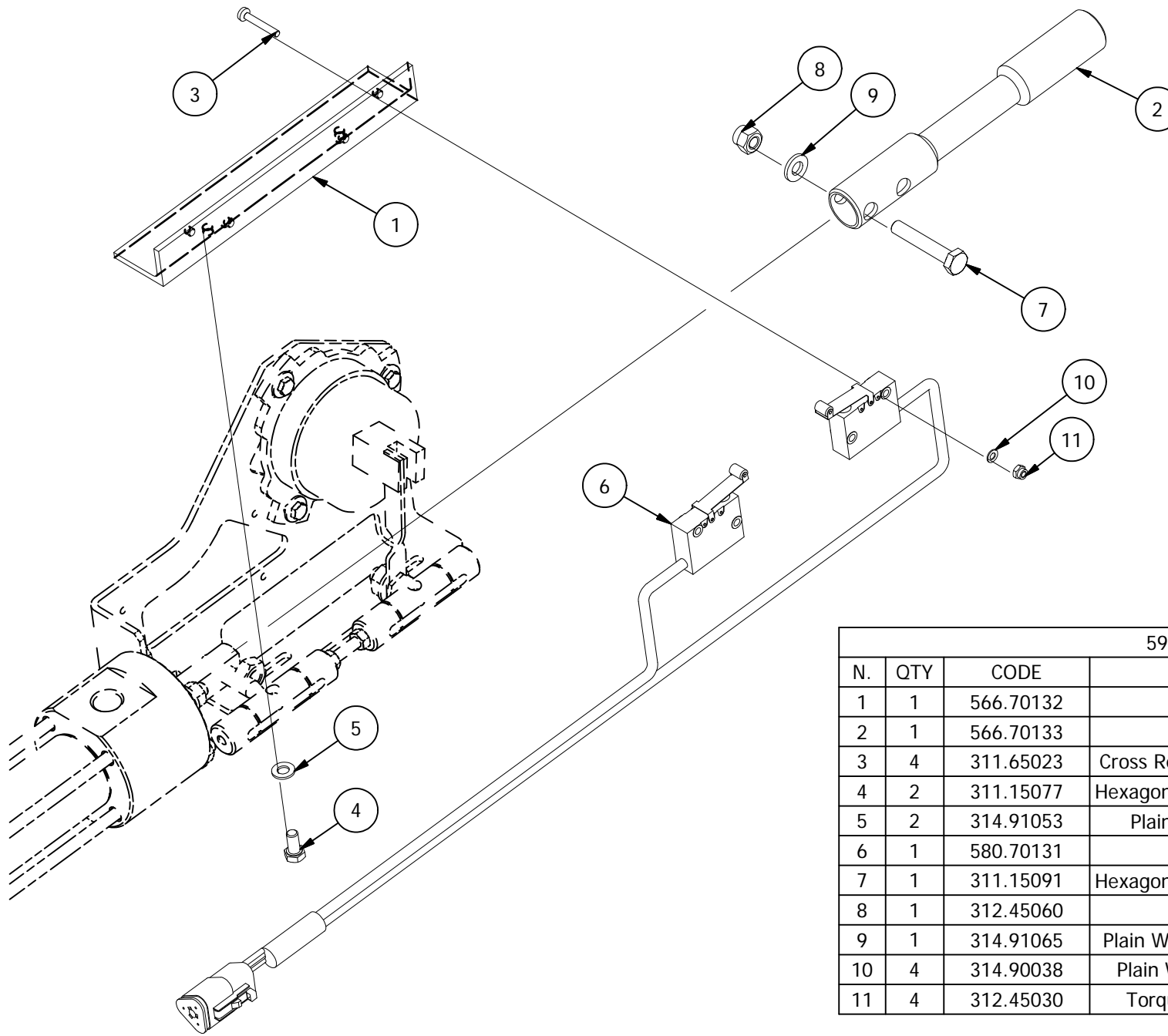
592.70079
Cilindro Retro Eletro-Idraulico TD224 Completo
TD224 Electro-Hydraulic Reversing System Control Ram Assembly



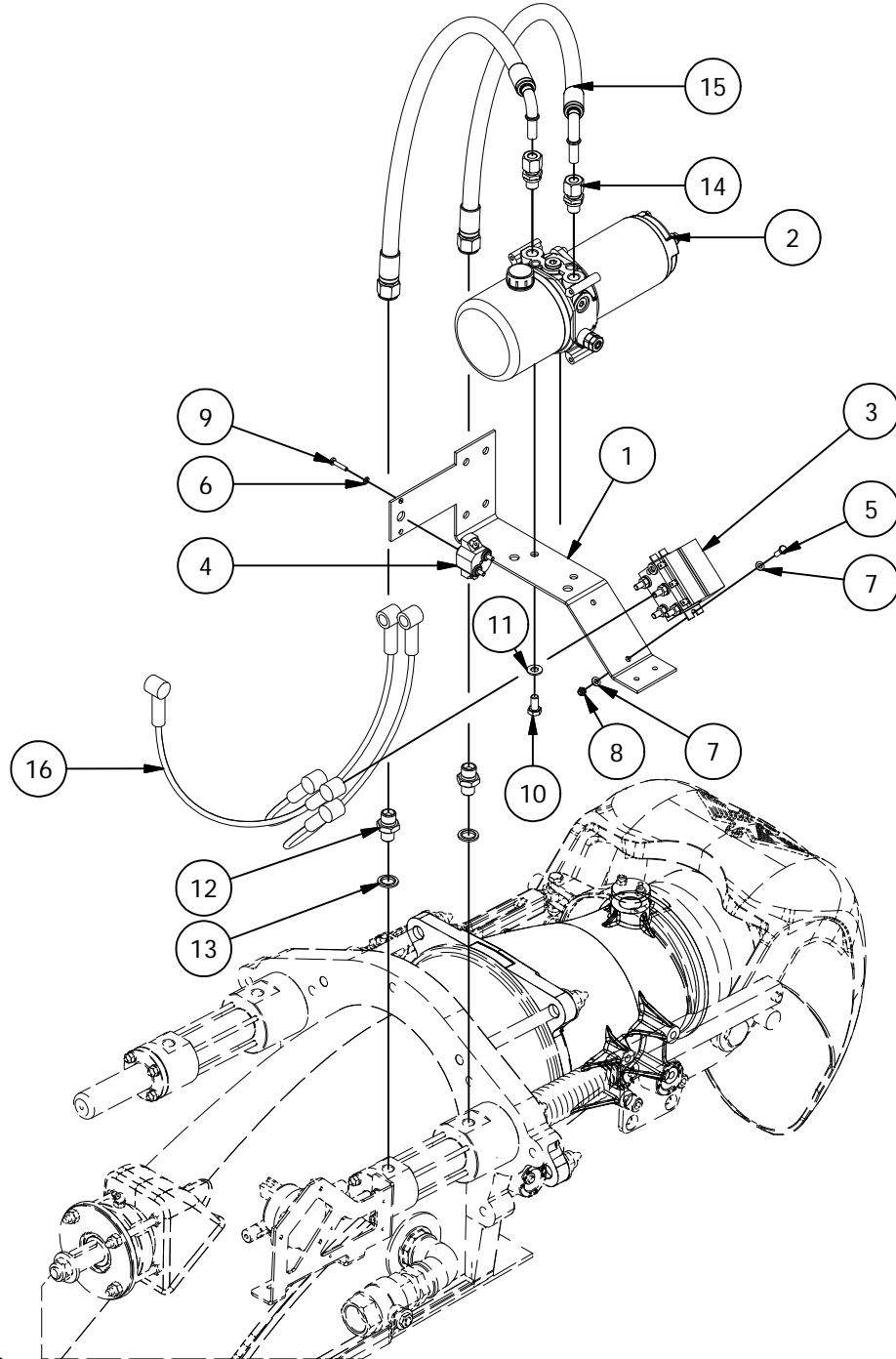
595.00224 PART LIST				
N.	QT	CODE	DESCRIPTION	PAGE LINK
1	7	311.55090	Allen screw M10x60 UNI 5931	
2	7	314.91086	Plain washer 11 x 30 UNI 6593	
3	7	312.15100	Nut M10 UNI 5588	
4	2	314.96095	Plane washer 9x24x2 UNI 6593	
5	2	312.45082	Locknut M8 UNI 7473	
6	2	311.35115	Flathead screw M8x80 UNI5933	



Input Flange Codification			
Flange Type	Flange only	Flange assembly	Note
SAE 69	563.70037	596.70105	
DIN 120	563.70036	595.70106	
CENTA A25-GZ	563.70041	N.A.	Used in the Jet Tender 15 and 16



592.70130 PART LIST				
N.	QTY	CODE	DESCRIPTION	PAGE LINK
1	1	566.70132	Switch Support	
2	1	566.70133	Ram Assembly Extension	
3	4	311.65023	Cross Recessed Screw M3 x 20 UNI 7687	
4	2	311.15077	Hexagonal-Head Screw M5 x 10 UNI 5739	
5	2	314.91053	Plain Washer d. 5,3 x 10 UNI6592	
6	1	580.70131	Microswitch Assembly	
7	1	311.15091	Hexagonal-Head Screw M6 x 35 UNI 5739	
8	1	312.45060	Locknut M6 DIN 982	
9	1	314.91065	Plain Washer diam. 6.4 x 12.5 UNI 6592	
10	4	314.90038	Plain Washer diam. 3,2 x 6 UNI 6592	
11	4	312.45030	Torque-Type Hex. Nut M3 DIN 985	



PART LIST				
N.	QT	CODE	DESCRIPTION	PAGE LINK
1	1	566.20694	Hydraulic Power Pack Support	
2	1	300.00647	Hydraulic Power Pack	
3	1	300.00648	Remote Controlled Reversing Switch	
4	1	300.04202	Circuit Braker 50 A	
5	2	311.15078	Hexagonal-Head Screw M5x14 UNI 5739	
6	2	314.90040	Plain Washer 4,3 x 8 UNI 6592	
7	4	314.91053	Plain Washer d. 5,3 x 10 UNI6592	
8	2	312.45059	Torque-Type Hex. Nut M5 DIN 985	
9	2	311.65009	Cross Recessed Screw M4x20 UNI 7687	
10	2	311.15150	Hexagonal-Head Screw M8x16 UNI 5739	
11	2	314.91084	Plain Washer 8,4x17 UNI 6592	
12	2	300.00214	Reduction Nipple M16x1,5 - M14x1,5	
13	2	380.00335	Bonded Gasket d. 14	
14	2	300.00664	Straight Fitting 1/4" GAS	
15	2	580.70124	Hose L=800	
16	1	580.70208	Bucket Harness	

This page is intentionally left blank



CASTOLDI

SINCE 1962 FORERUNNERS, ALWAYS

Strada Provinciale 114 n. 10 · 20080 Albairate (Milan) · ITALY
Tel : +39 02 9401881 · Fax : +39 02 94018850 · info@castoldijet.it
www.castoldijet.it



castoldijet