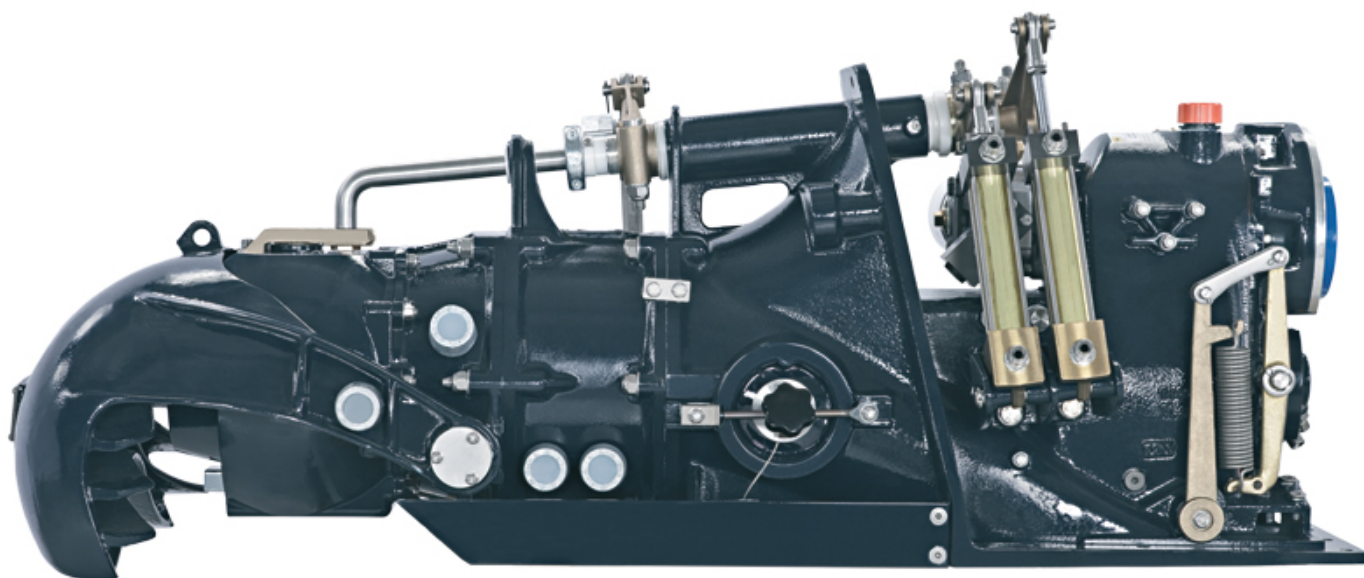


CASTOLDI JET



TURBODRIVE
240 H.C. *AND* 240 L.V.

Spare parts

Versions	Description	Date
901.65930	Emission: M. Gramegna	27/02/2009
901.65931	Modified drawings 03 – 16 – 17 – 28 – 29 – 30 – 32 – 35 – 39 – 40 – 41 and added drawing 37	17/06/2009
901.65932	Modified drawings 39 – 40 - 41	22/07/2009
901.65933	Modified drawings 03,09 and 15	09/12/2009
901.65934	Added drawing 282.34 – 238.43 – 61.04 – modified 238.09/02 – 238.16/02 – 238.17/02	05/11/2010
901.65935	Added drawings 240.02 – 240.03 – 240.03 – 240.17 and general advise , modified 238.15	24/11/2010
901.65936	Modified drawing 238.10	10/03/2011
901.65937	Modified pages 238.08	31/03/2011
901.65938	Modified pages 238.27 – Added 238.54	30/06/2011
901.65939	Added pages 240.18, 240.19,240.20, 240.21, 240.30, 240.54, 240.55, 340.47, 340.50. Modified pages 238.14, 238.18, 238.28,238.30, 238.33, 238.35, 238.39, 238.40, 238.41 and 238.54.	23/03/2012
901.65940	Modified pages 238.22, 238.28, 238.29, 238.30, 238.31, 238.33, 238.34, 238.35, 238.36, 238.40, 238.41, 240.54, 240.55 and 340.47. Eliminate pages 238.02, 238.03, 238.04,238.05,238.16,238.17, 238.19, 238.39,	06/08/2014
901.65941	Modified pages 238.25, 238.26, 238.34	26/11/2014
901.65942	Added page 240.56 Modified pages: 238.30, 238.31, 238.33, 238.34, 240.30	22/06/2015
901.65943	Modified pages 238.28, 238.30, 238.33,238.35,238.41,238.41,340.47,240.18	14/09/2015
901.65944	Modified pages 340.47 and.340.50	14/04/2016
901.65945	Modified 240.03, 240.18, 240.19, 240.54,240.55. Added page 240.57, 240.58	13/06//2016
901.65946	Modified pages 238.26 and 240.56	13/06/2017
901.65947	Modified page 238.36	27/07/2017
901.65948	Modified page 61.04	08/09/2017
901.65949	Modified page 238.26	09/11/2017
901.65950	Modified page240.03	15/11/2017
901.65951	Added page 240LV.01, 240LV.02,240LV.03 and 240LV.04	25/01/2018
901.65952	Modified page 238.22	06/03/2019

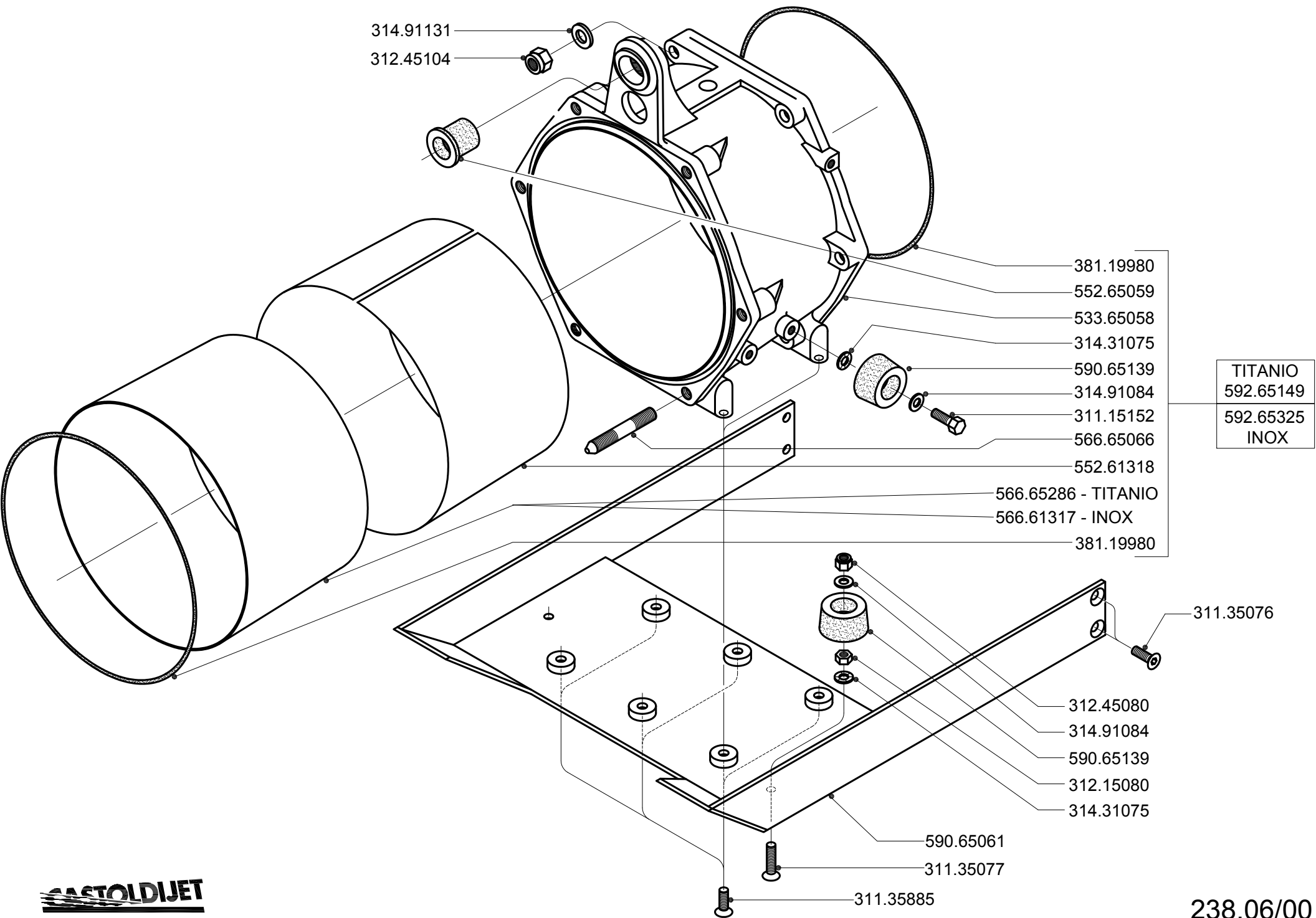
Pages	rev.00	rev.01	rev.02	rev.03	rev.04	rev.05	rev.06	rev.07	rev.08
238.06	X								
238.07	X								
238.08		X							
238.09			X						
238.10		X							
238.11	X								
238.12	X								
238.13	X								
238.14		X							
238.15			X						
238.18		X							
238.20	X								
238.21	X								
238.22			X						
238.23	X								
238.24	X								
238.25		X							
238.26				X					
238.27		X							
238.28					X				
238.29			X						
238.30						X			

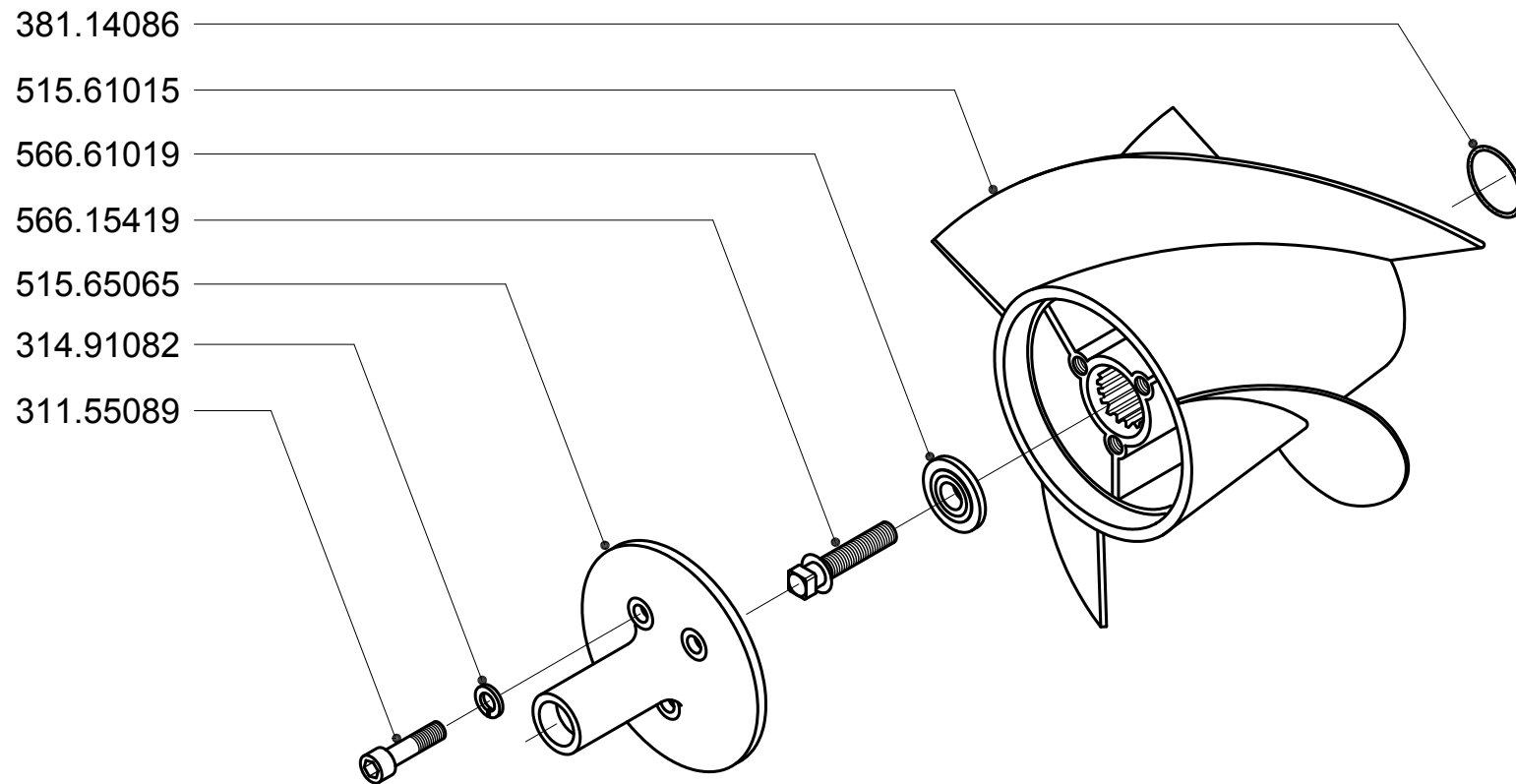
Pages	rev.00	rev.01	rev.02	rev.03	rev.04	rev.05	rev.06	rev.07	rev.08
238.31			X						
238.32		X							
238.33					X				
238.34				X					
238.35					X				
238.36			X						
238.37	X								
238.40						X			
238.41						X			
238.43	X	X							
238.44	X								
238.45	X								
238.46	X								
238.47	X								
238.50	X								
238.51	X								
238.52	X								
238.53	X								
238.54		X							
282.34	X								
61.04		X							
63.10	X								
340.47					X				
340.50			X						
240.02	X								
240.03			X						
240.04	X								
240.17	X								
240.18				X					
240.19		X							
240.20	X								
240.21	X								
240.30			X						
240.54			X						
240.55			X						
240.56		X							
240.57	X								
240.58	X								
240LV.01	X								
240LV.02	X								
240LV.03	X								
240LV.04	X								

La CASTOLDI S.r.l. si riserva il diritto di apportare in qualsiasi momento e senza preavviso eventuali modifiche di componenti ed accessori che ritiene necessarie per esigenza tecniche o commerciali, senza ritenersi impegnata ad aggiornare questa pubblicazione.

CASTOLDI S.r.l. withhold the right to introduce, at any time and without previous notice, such modifications of components and accessories as might be deemed necessary for technical or commercial reasons, without any obligation to bring up-to-date this manual.

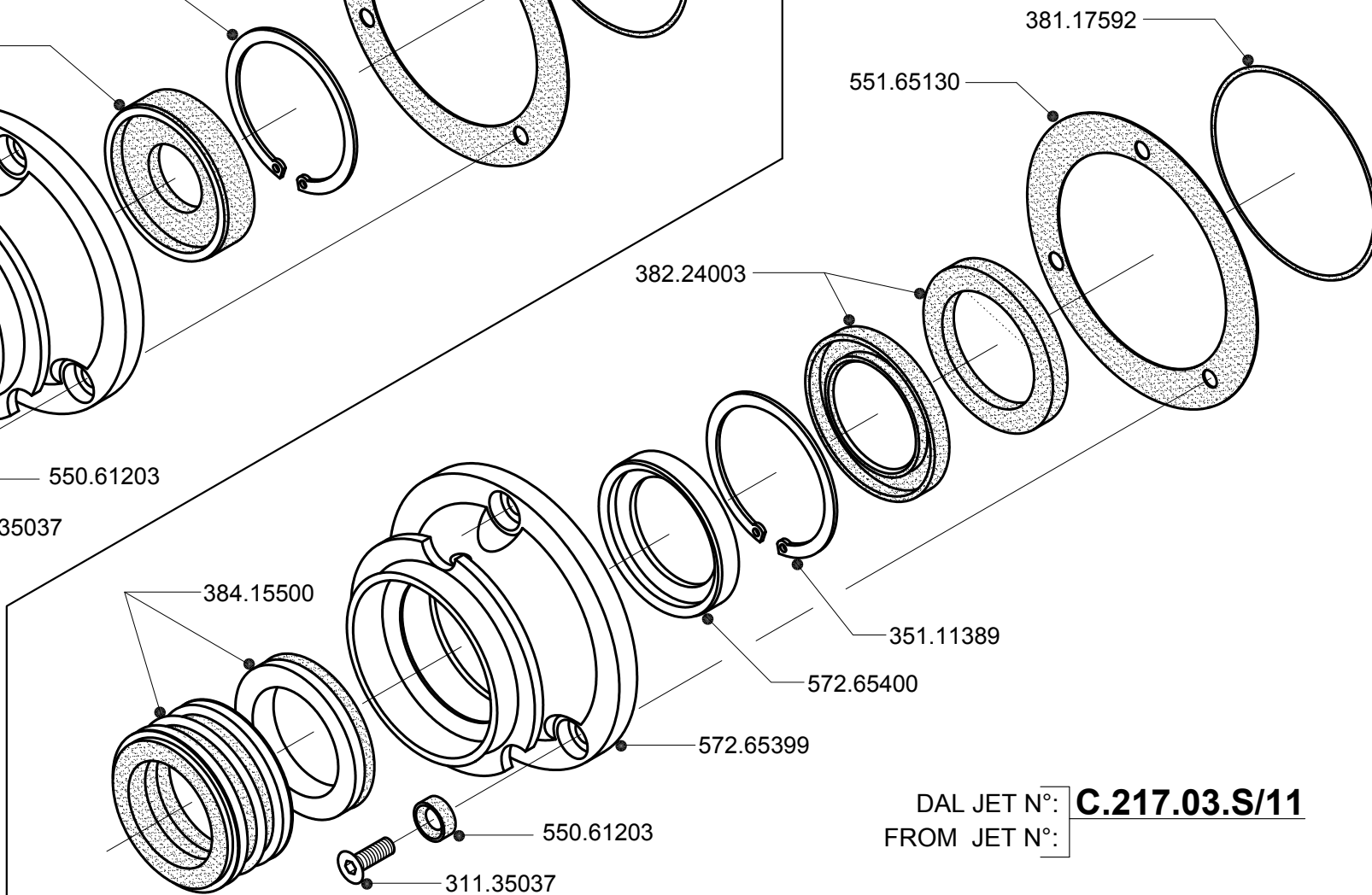
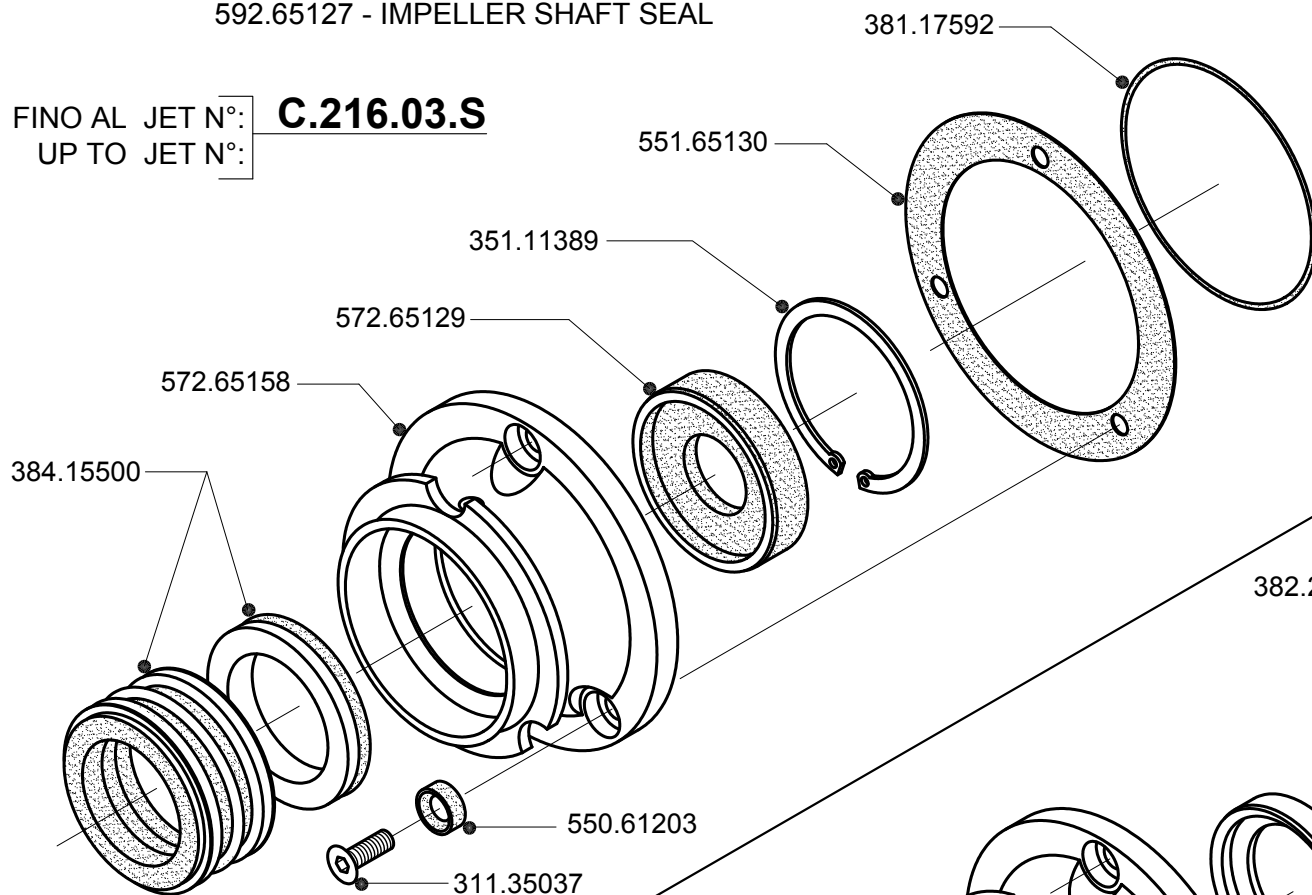
ATTENZIONE!Prima di ordinare pezzi di ricambio rilevare il numero di matricola del motore o del jet e consultare il catalogo tenendo presente che le modifiche sono introdotte nelle tavole d'aggiornamento con il numero di matricola della prima macchina che porta la modifica, se questa comporta l'impiego di pezzi non intercambiabili con quelli precedenti.
ATTENZION!*Before ordering spare, take the serial number of the engine, or of the jet, and look up the catalogue, keeping in mind that all variations are listed in the apposite tables that keep it up-to-date, with the serial number of the first piece of machinery to which the variation applies, if it involves the use of parts that are not interchangeable with the previous ones.*





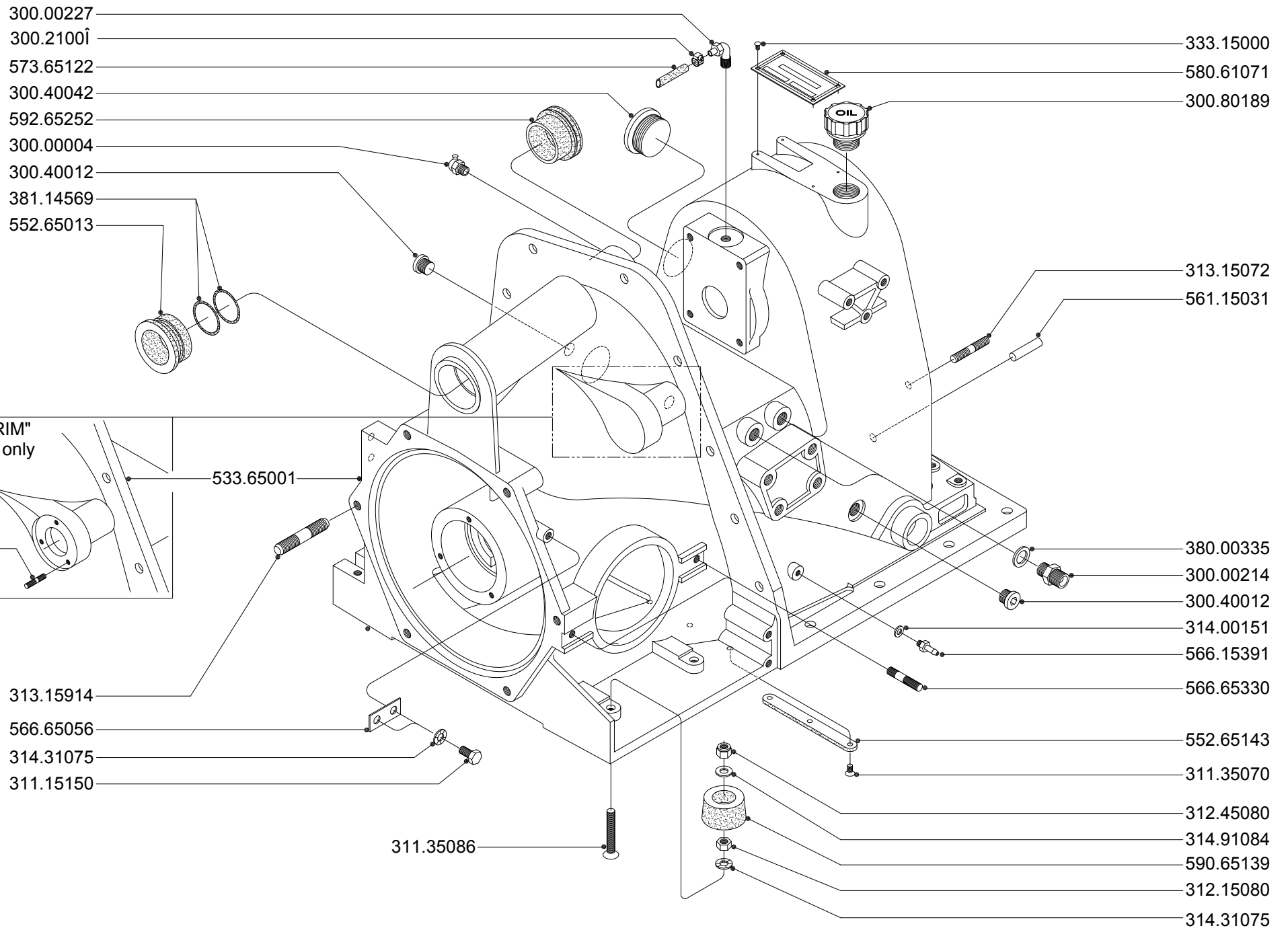
592.65127 - TENUTA PER ALBERO GIRANTE
592.65127 - IMPELLER SHAFT SEAL

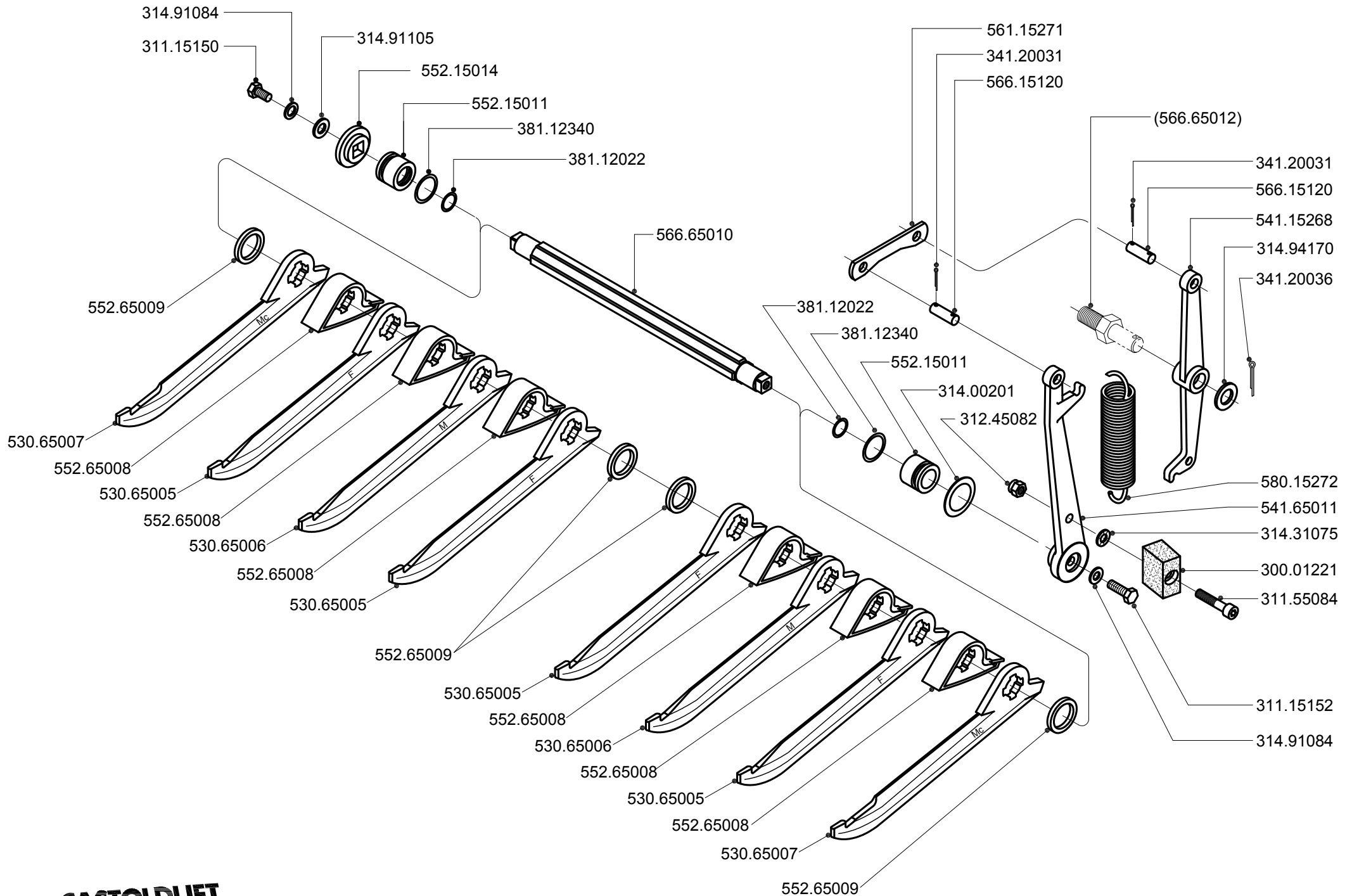
FINO AL JET N°: **C.216.03.S**
UP TO JET N°:

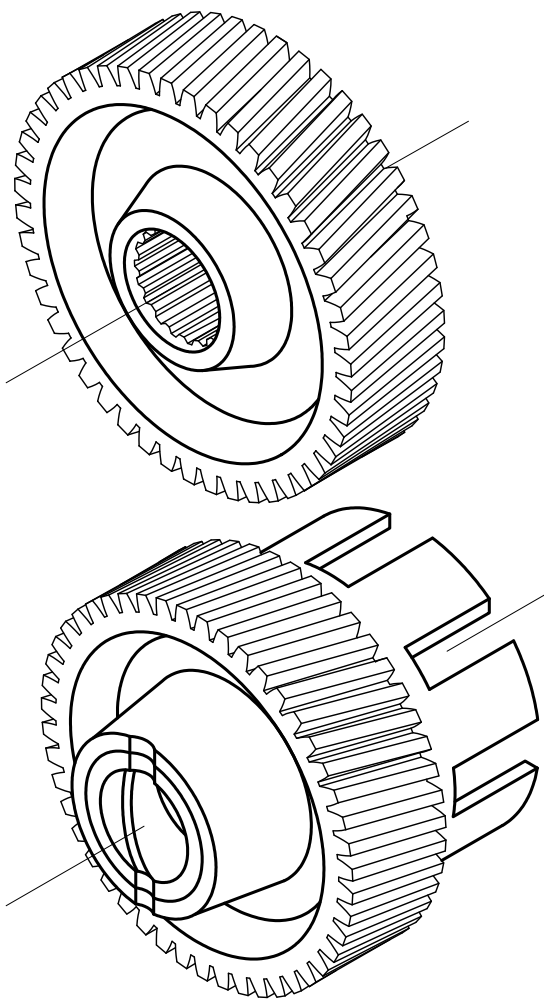


DAL JET N°: **C.217.03.S/11**
FROM JET N°:

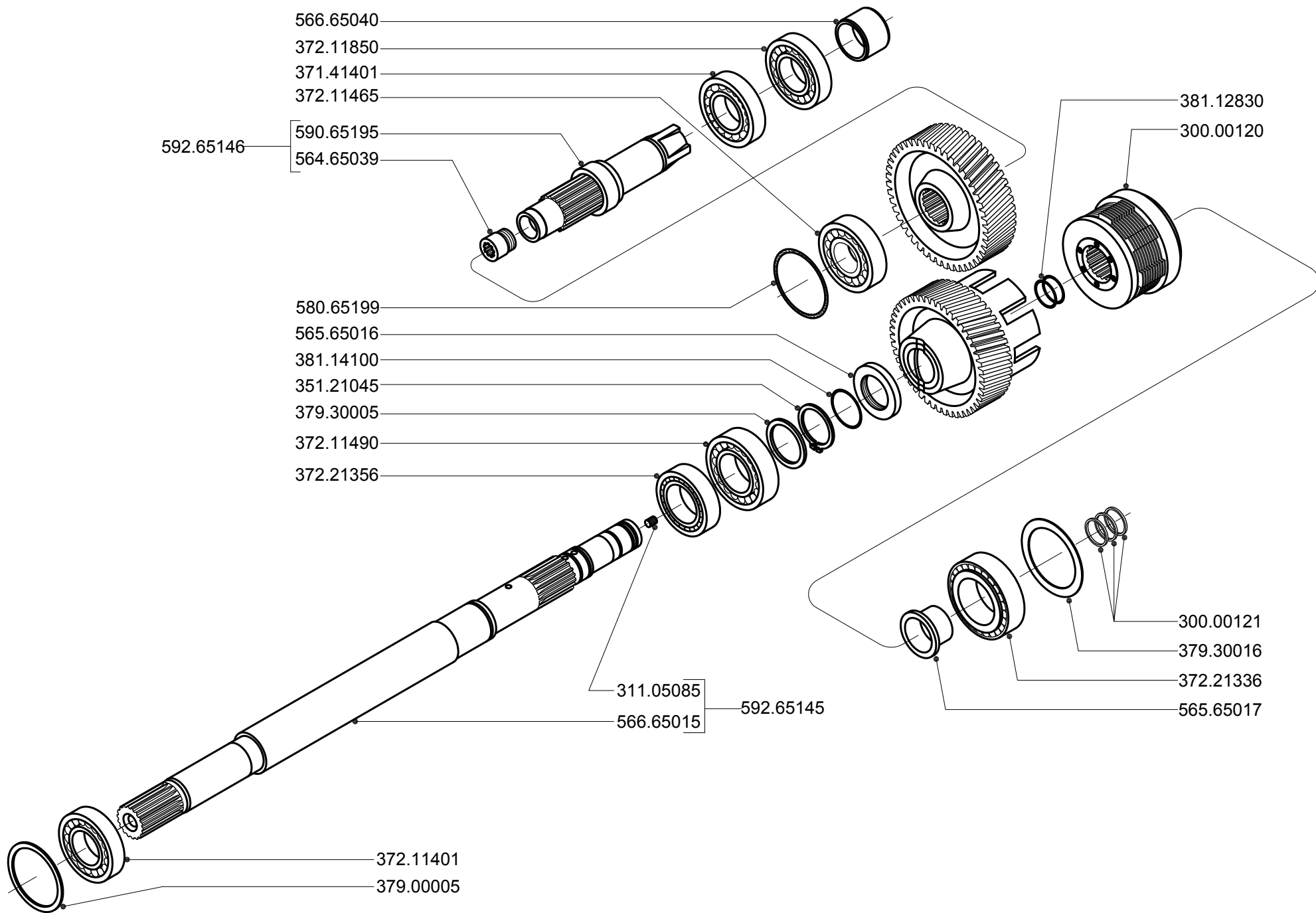
592.65398 - TENUTA PER ALBERO GIRANTE
592.65398 - IMPELLER SHAFT SEAL

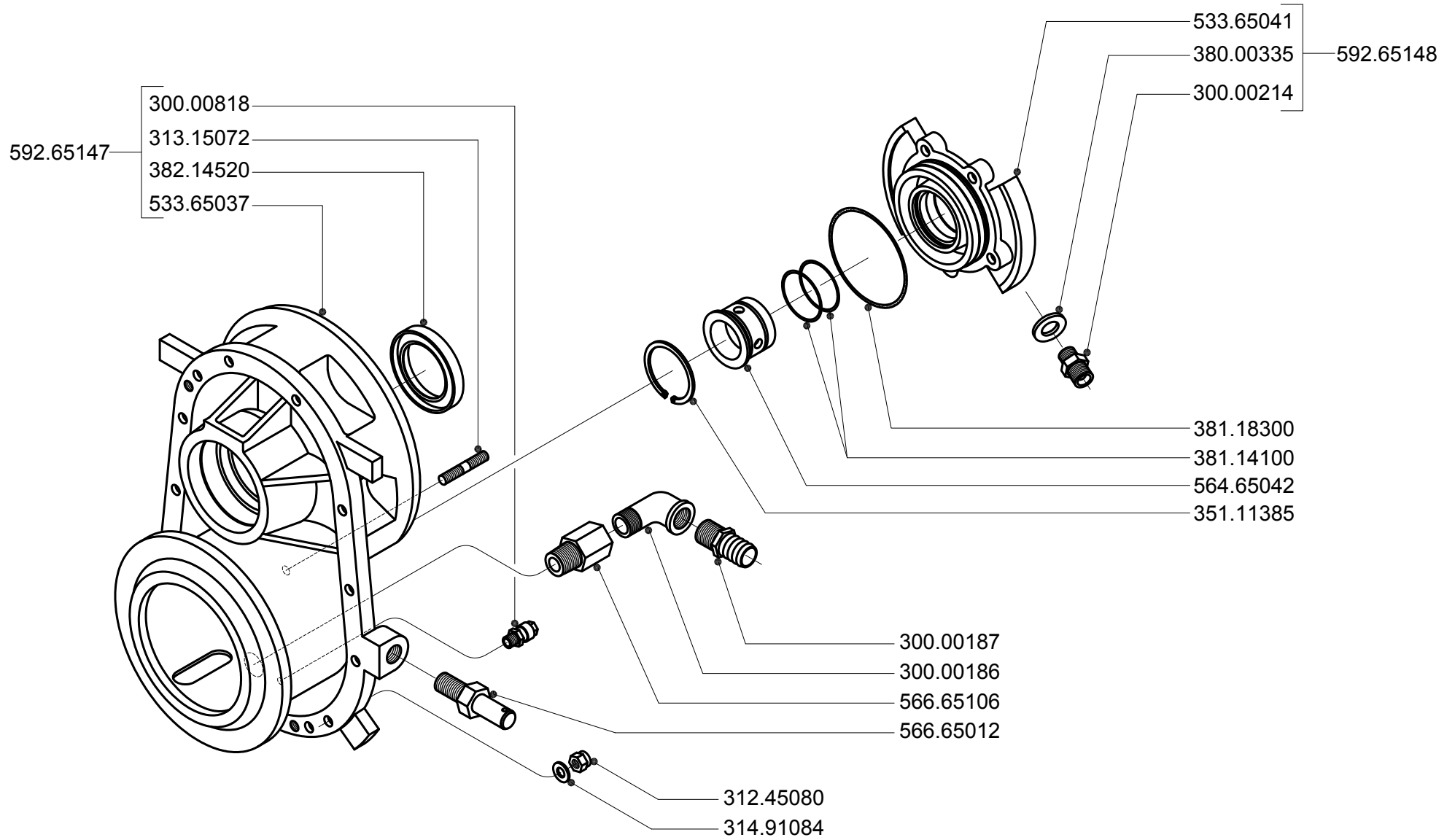


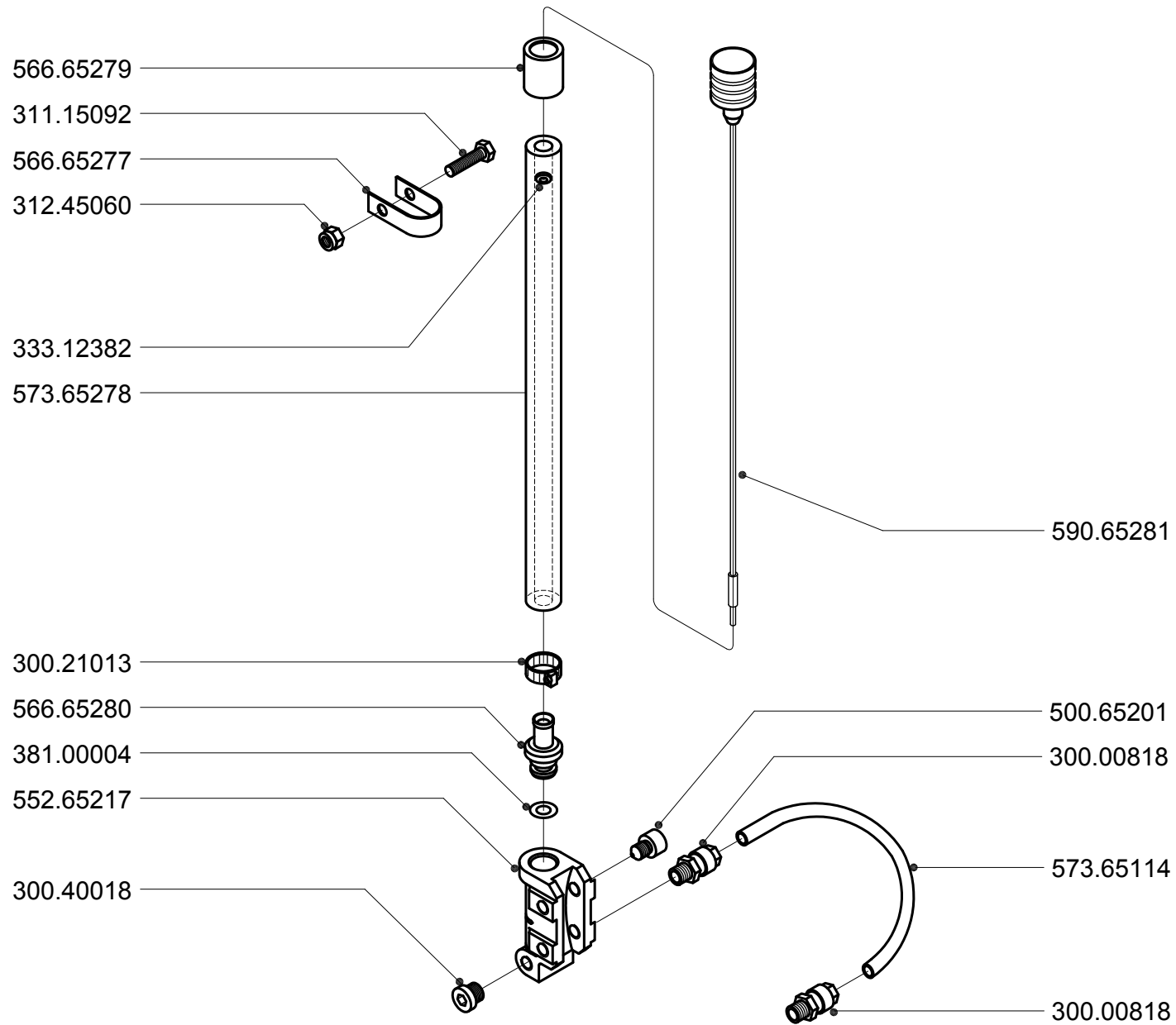


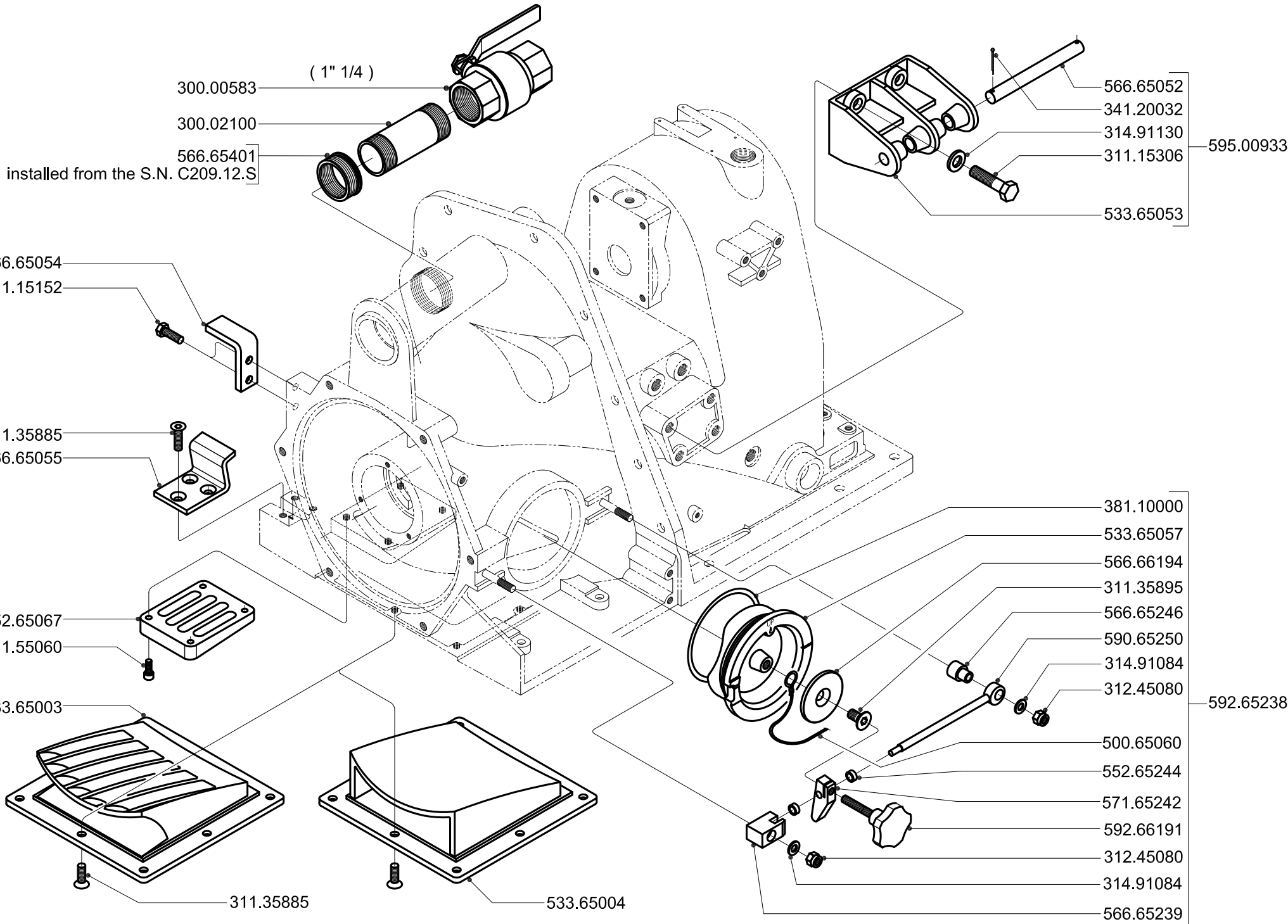


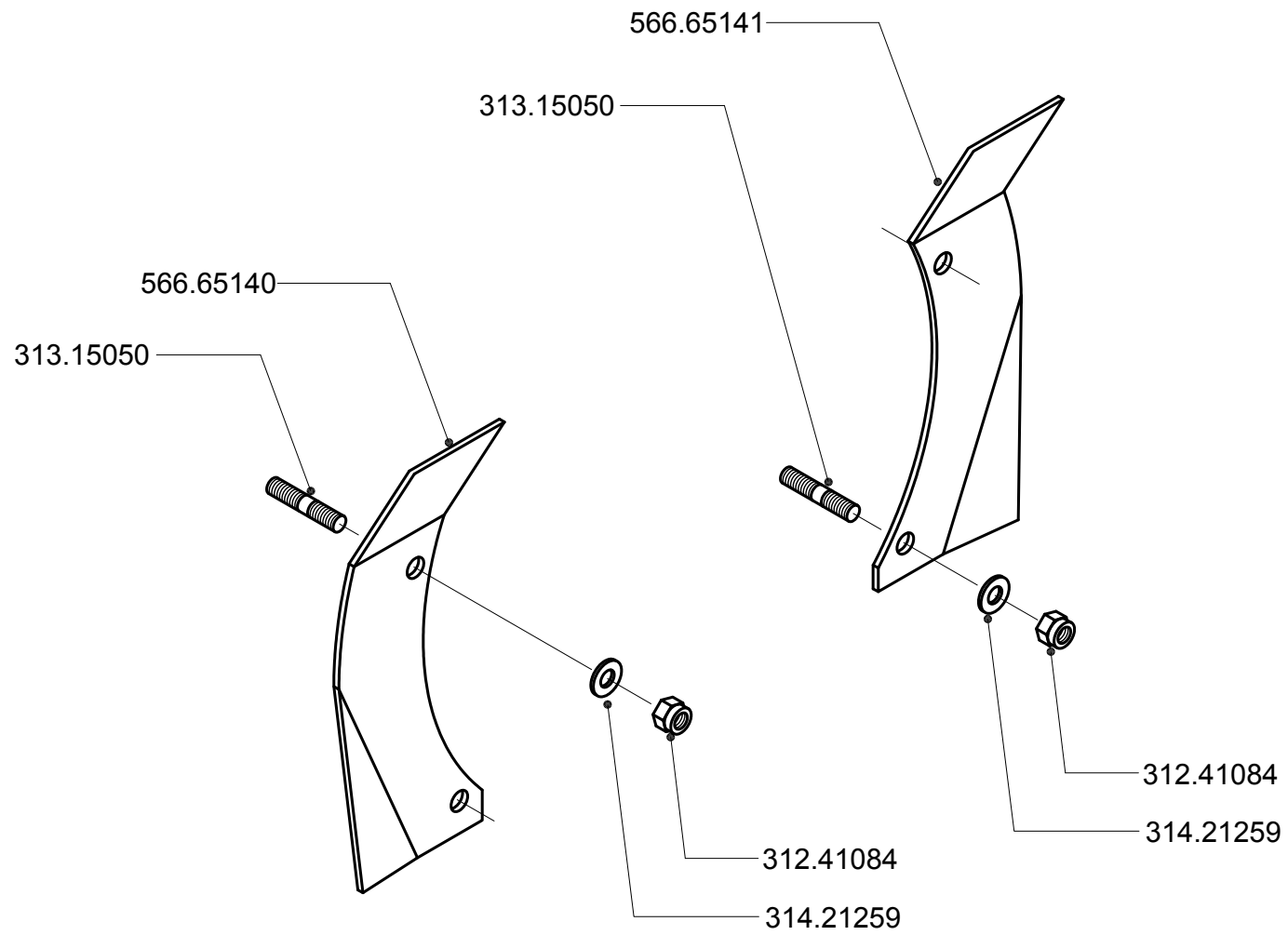
RAPPORTO GEAR RATIO	CODICE SET OF GEAR CODE NUMBER
51 - 47	592.65018
50 - 48	592.65019
49 - 49	592.65020
48 - 50	592.65021
47 - 51	592.65022
46 - 52	592.65023
45 - 53	592.65024
44 - 54	592.65025
43 - 55	592.65026
42 - 56	592.65027
41 - 57	592.65028
40 - 58	592.65029
39 - 59	592.65030
38 - 60	592.65031
37 - 61	592.65032
36 - 62	592.65033
35 - 63	592.65034
34 - 64	592.65035

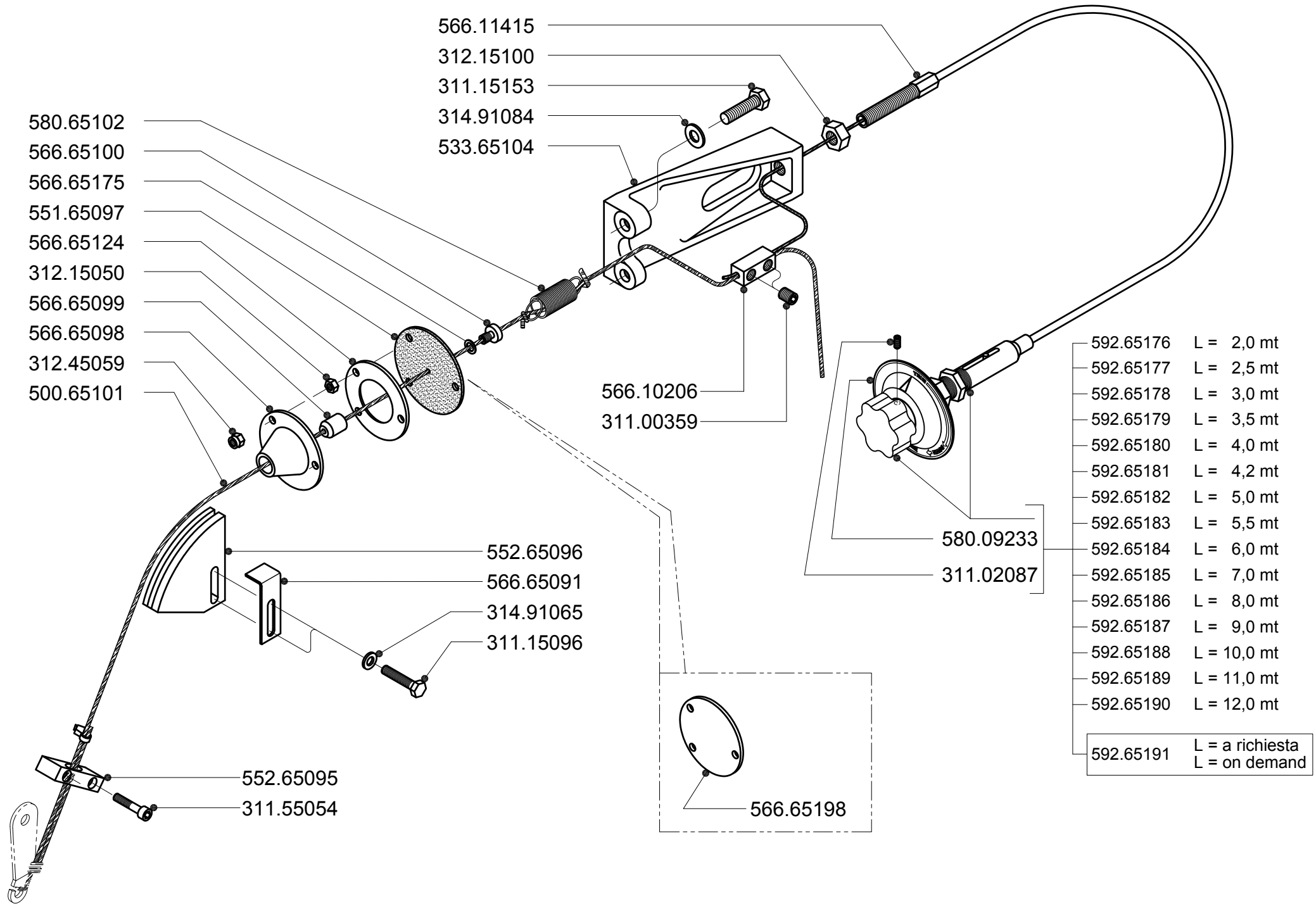


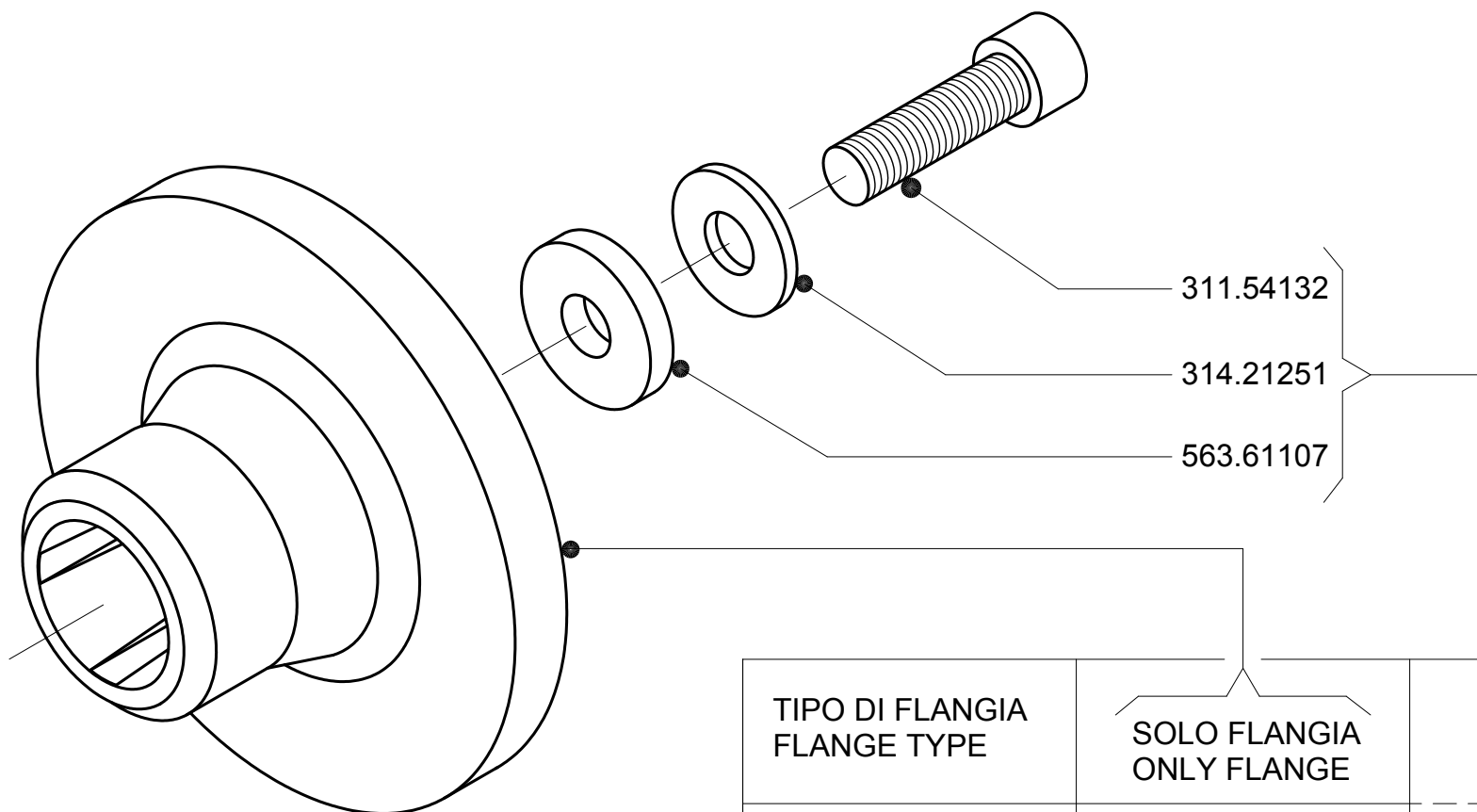




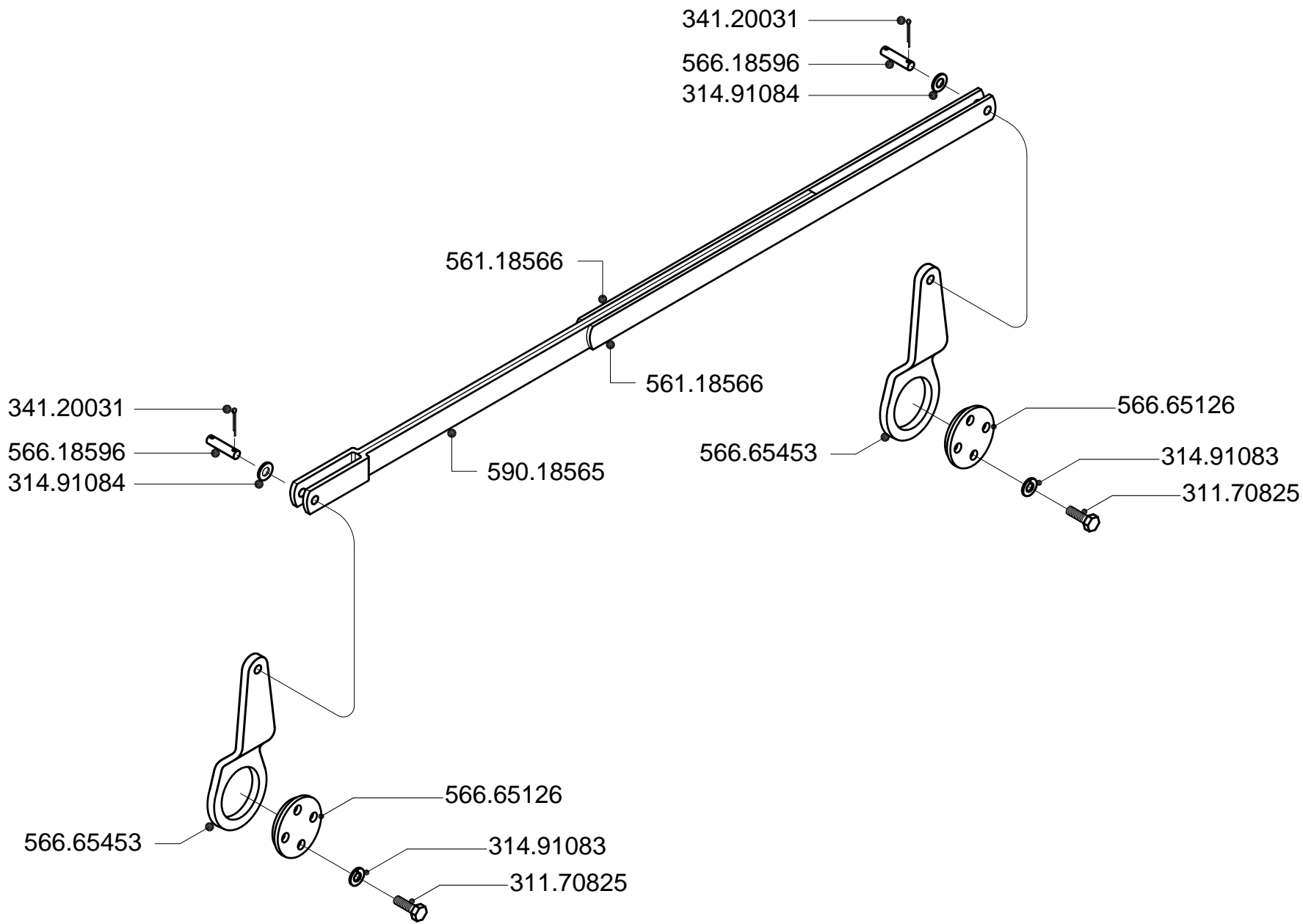


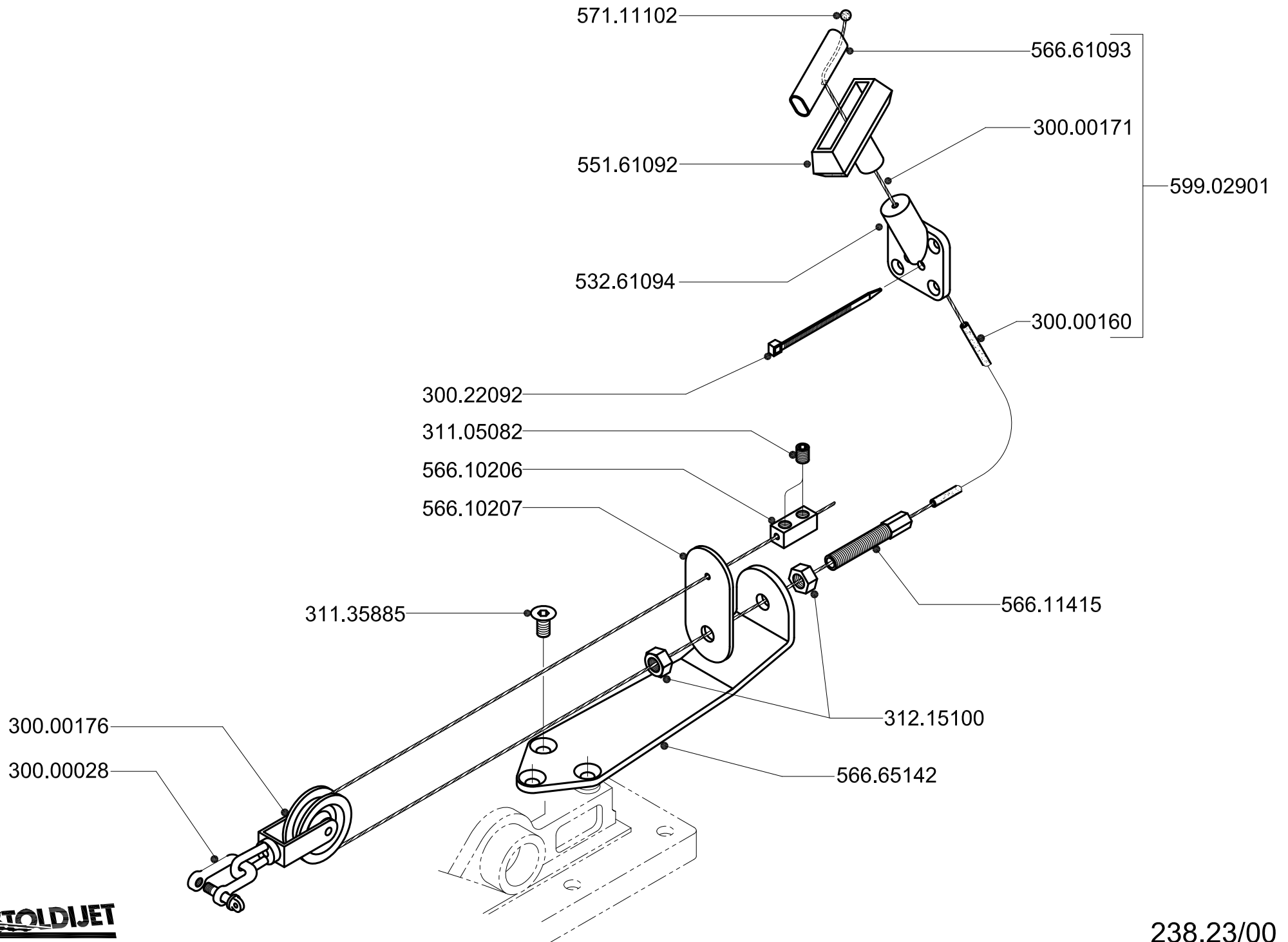


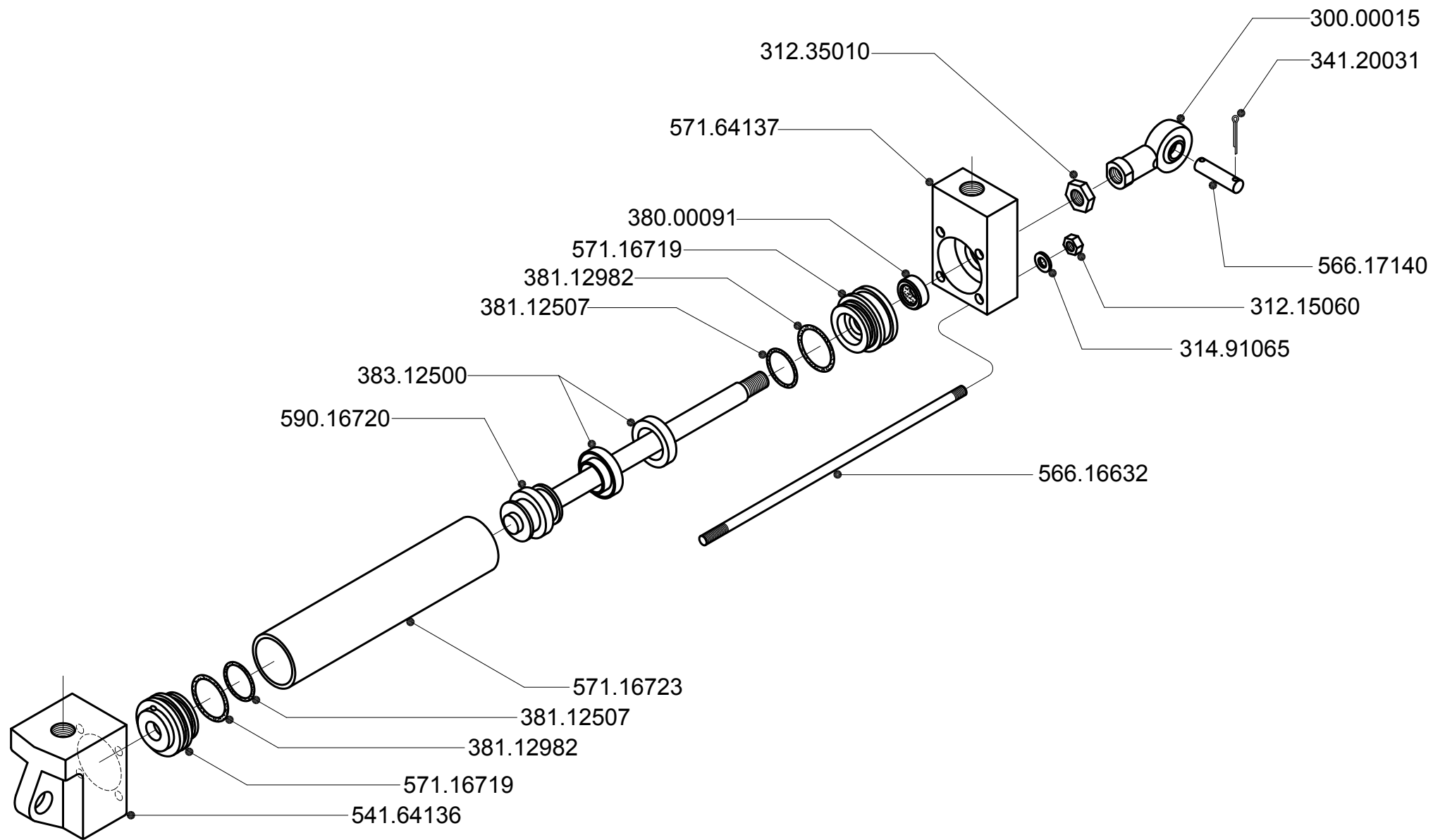


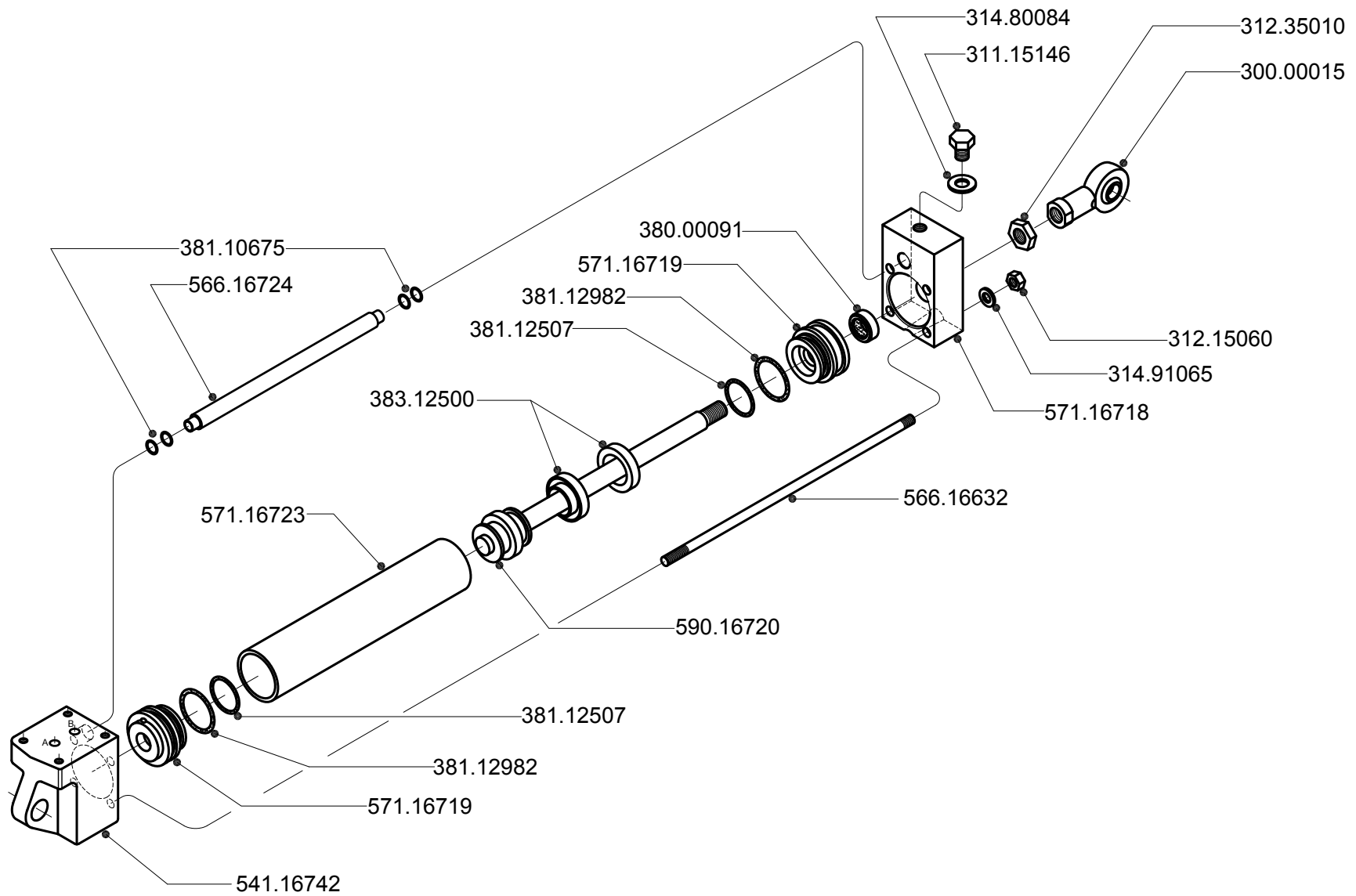


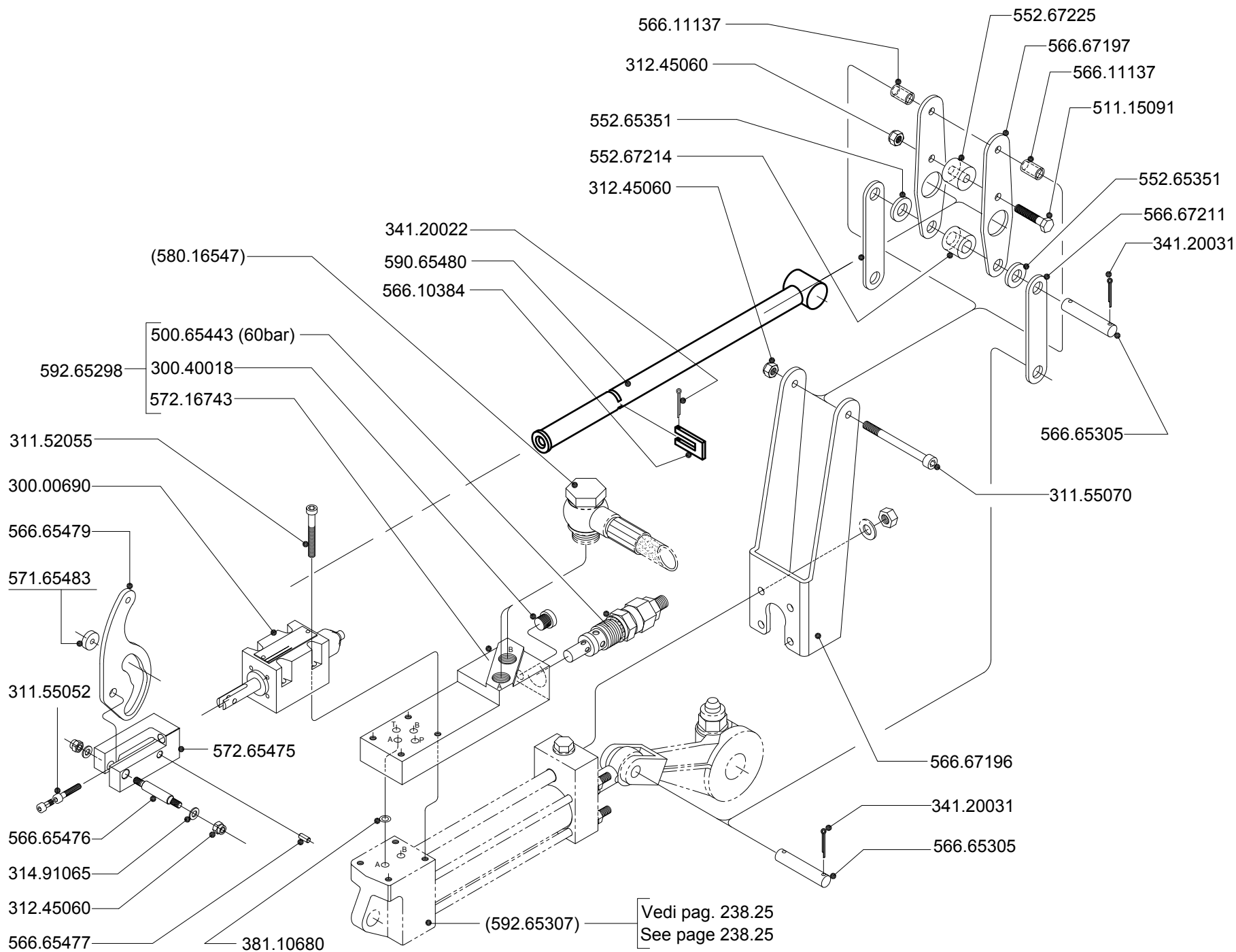
TIPO DI FLANGIA FLANGE TYPE	SOLO FLANGIA ONLY FLANGE		FLANGIA COMPLETA FLANGE ASSEMBLY
SL	565.65154	●	596.00076
DIN 150 - 8 x M12	565.65155	●	596.00077
DIN 120 - 8 x M10	565.65156	●	596.00078
SCATRA 13790	525.61463	●	596.00071
SCATRA 13740	525.61465	●	596.00073
SCATRA 13725	525.61466	●	596.00074



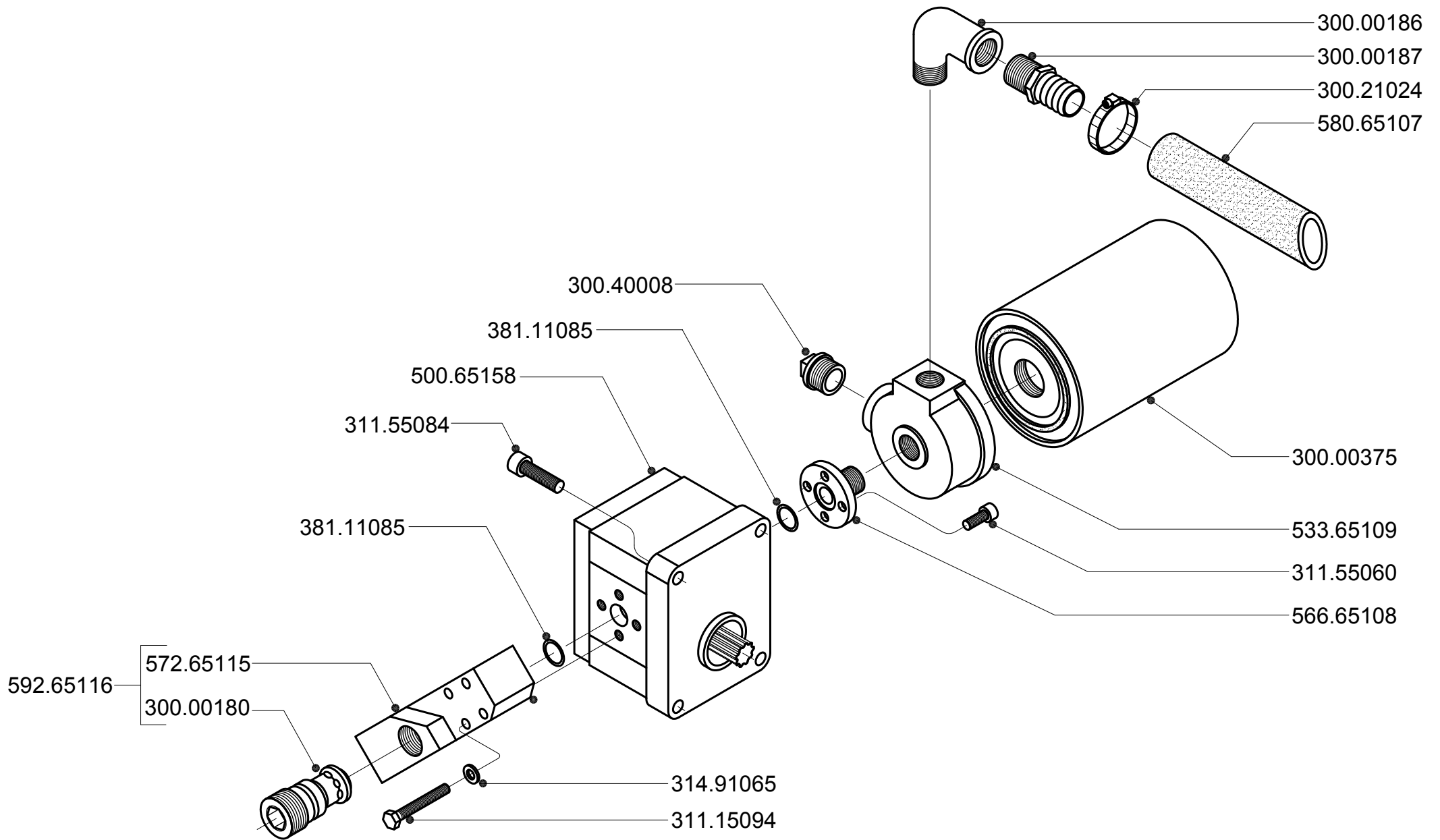


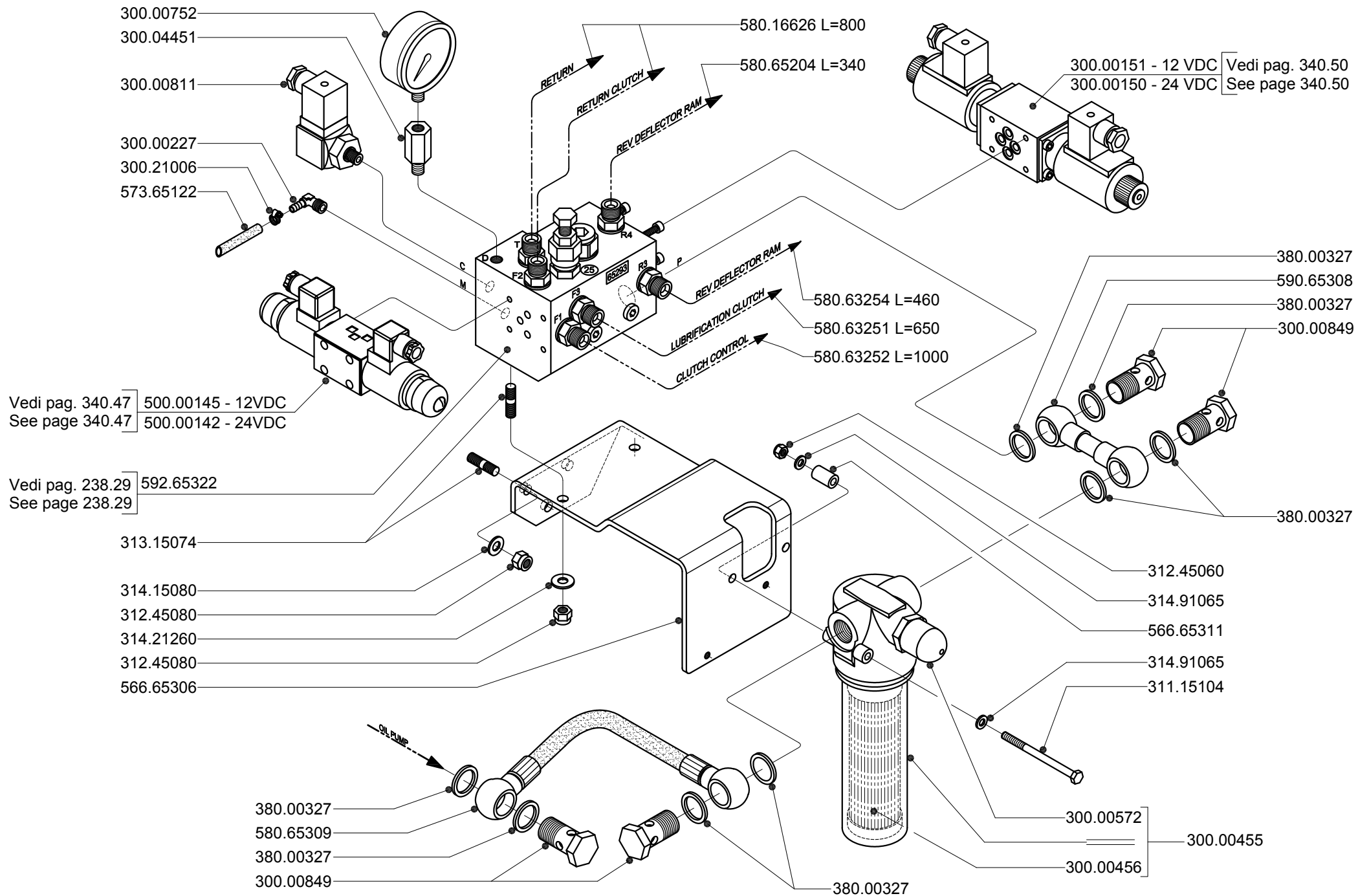


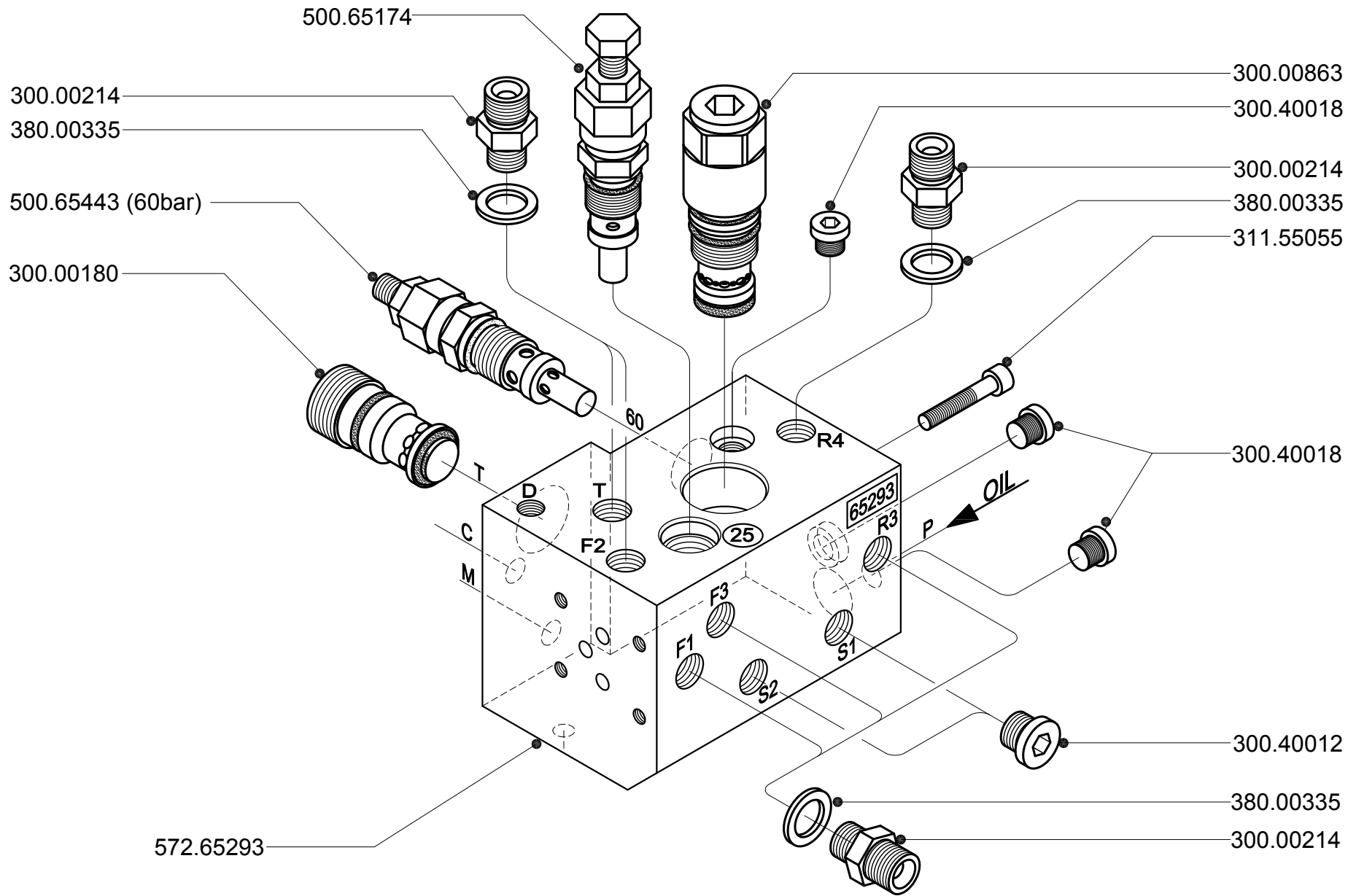


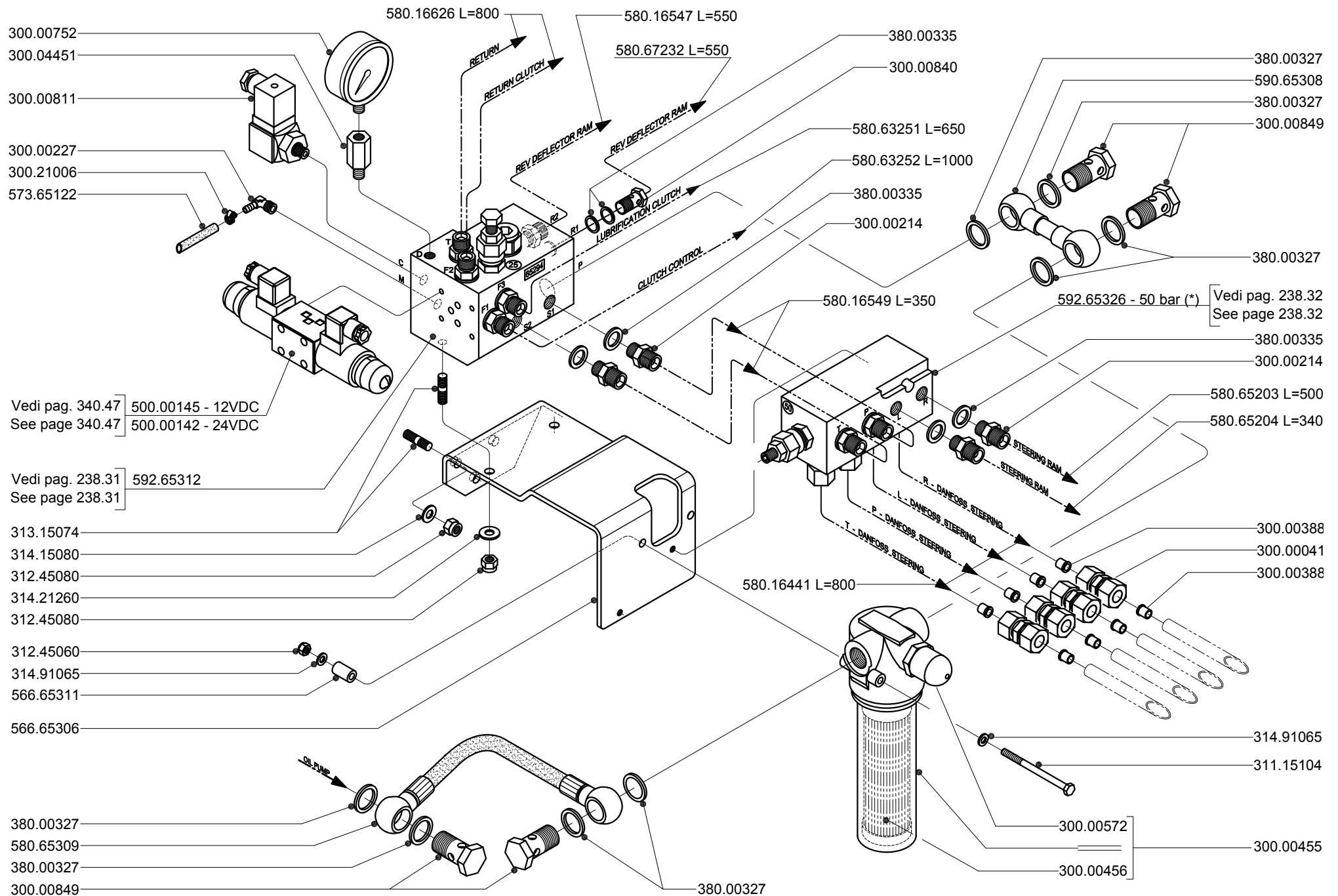


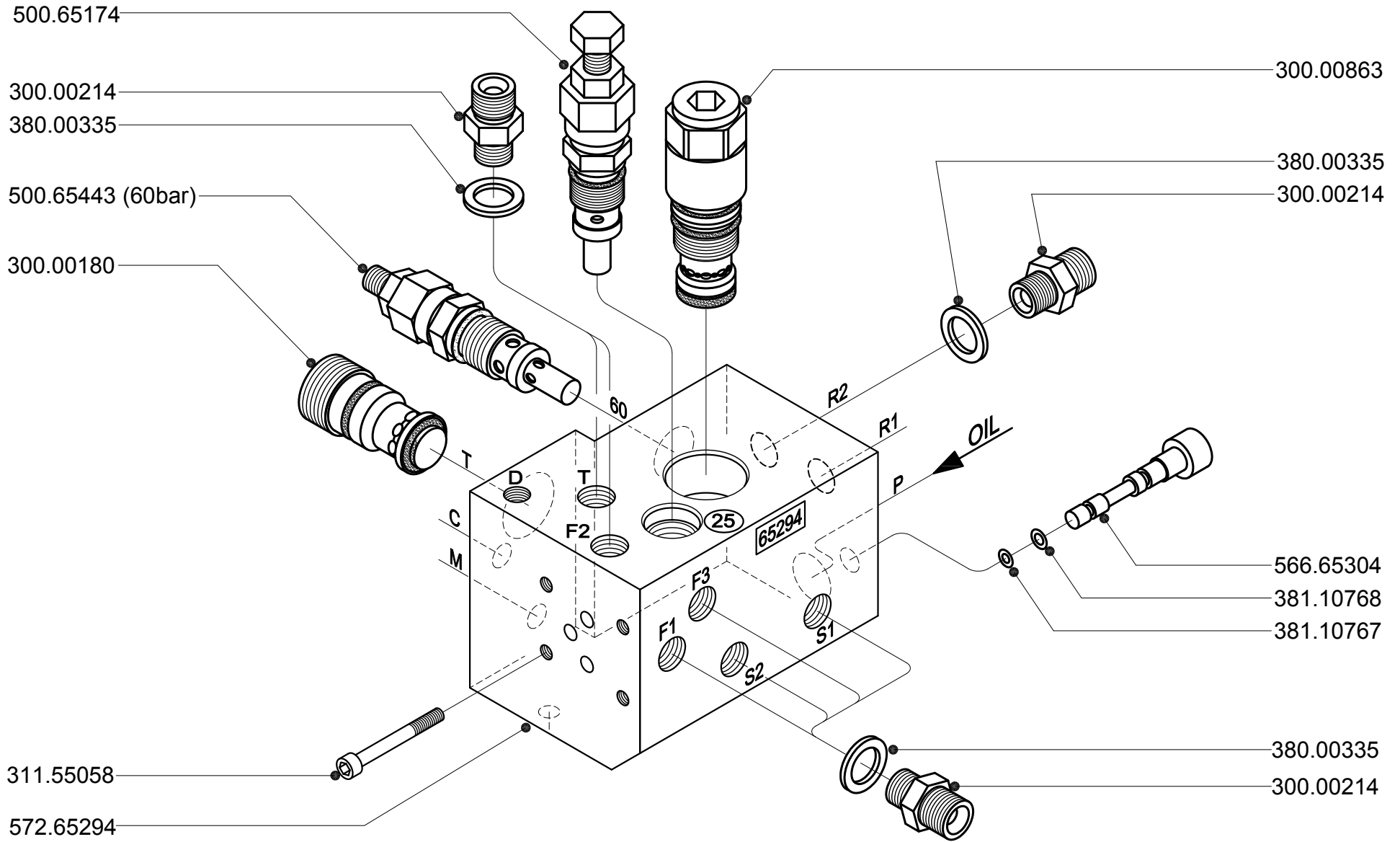
Vedi pag. 238.25
See page 238.25

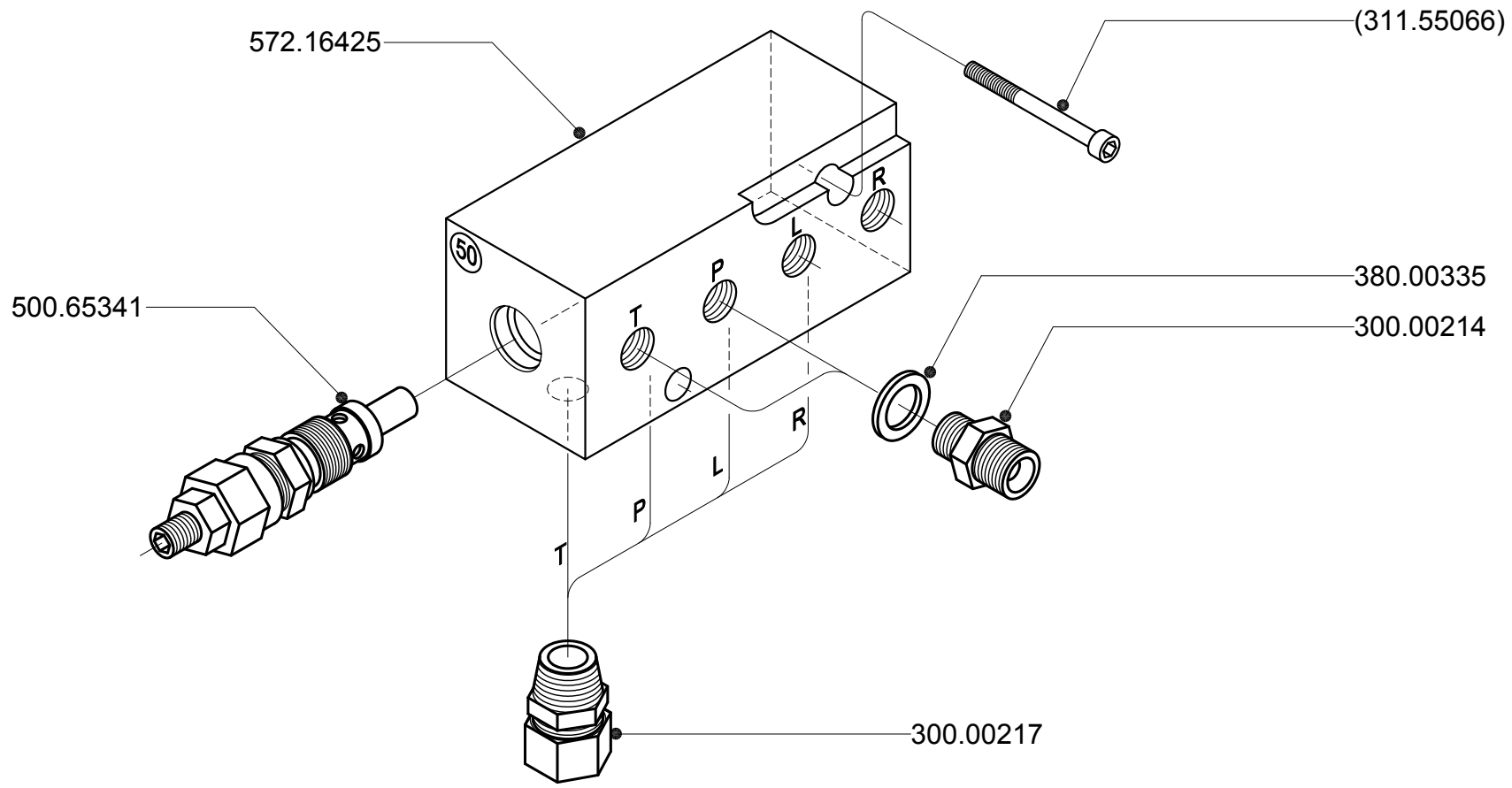


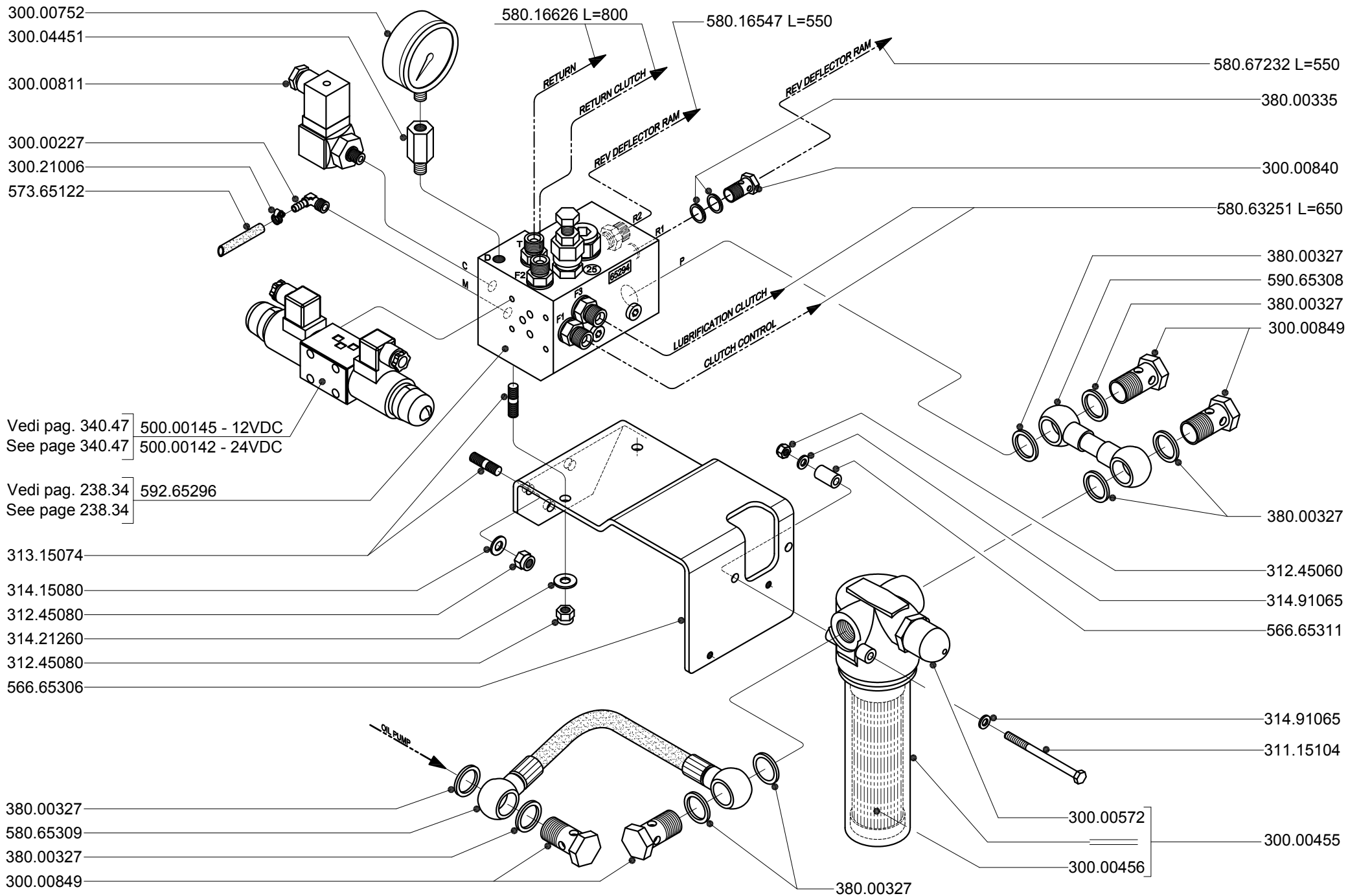


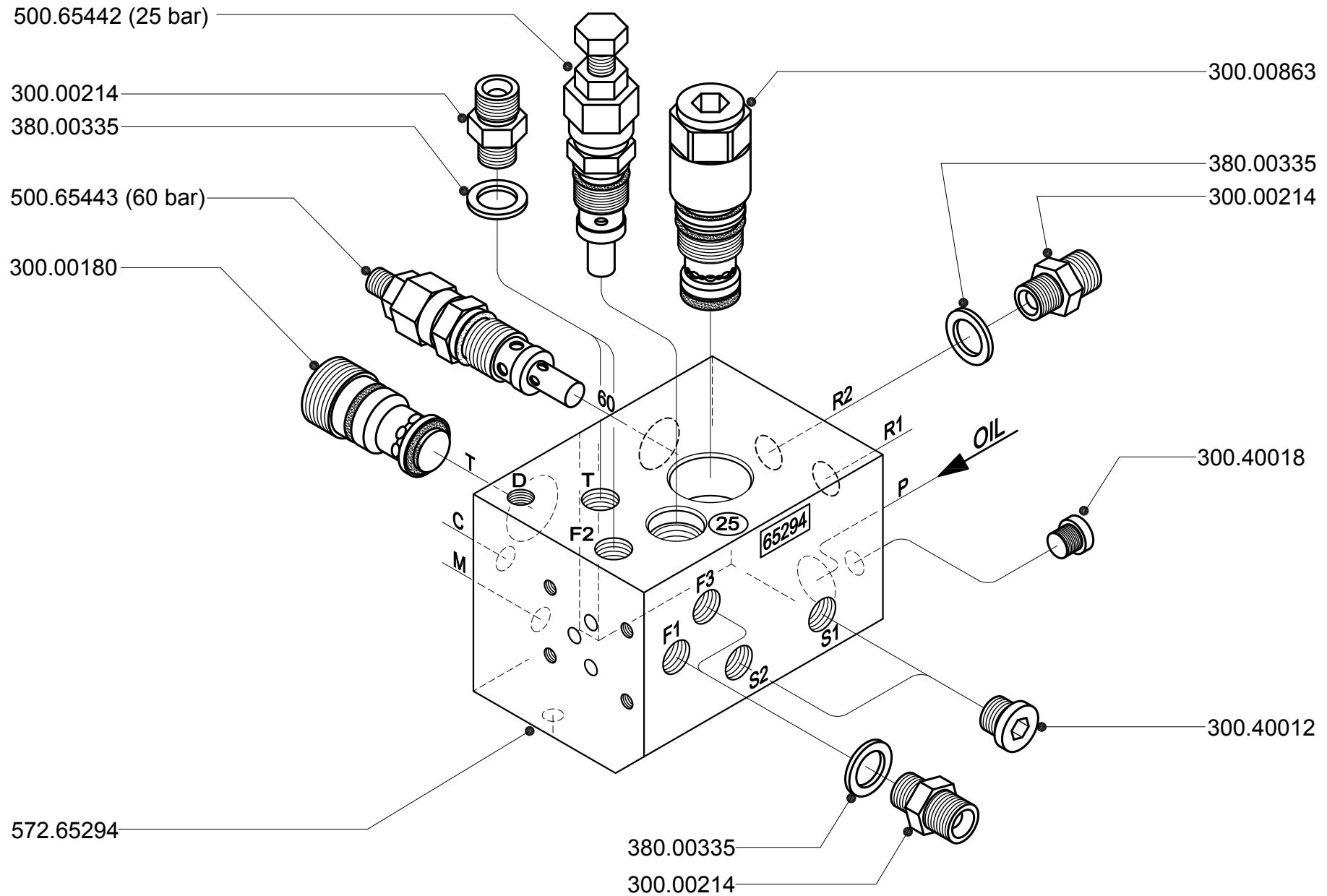


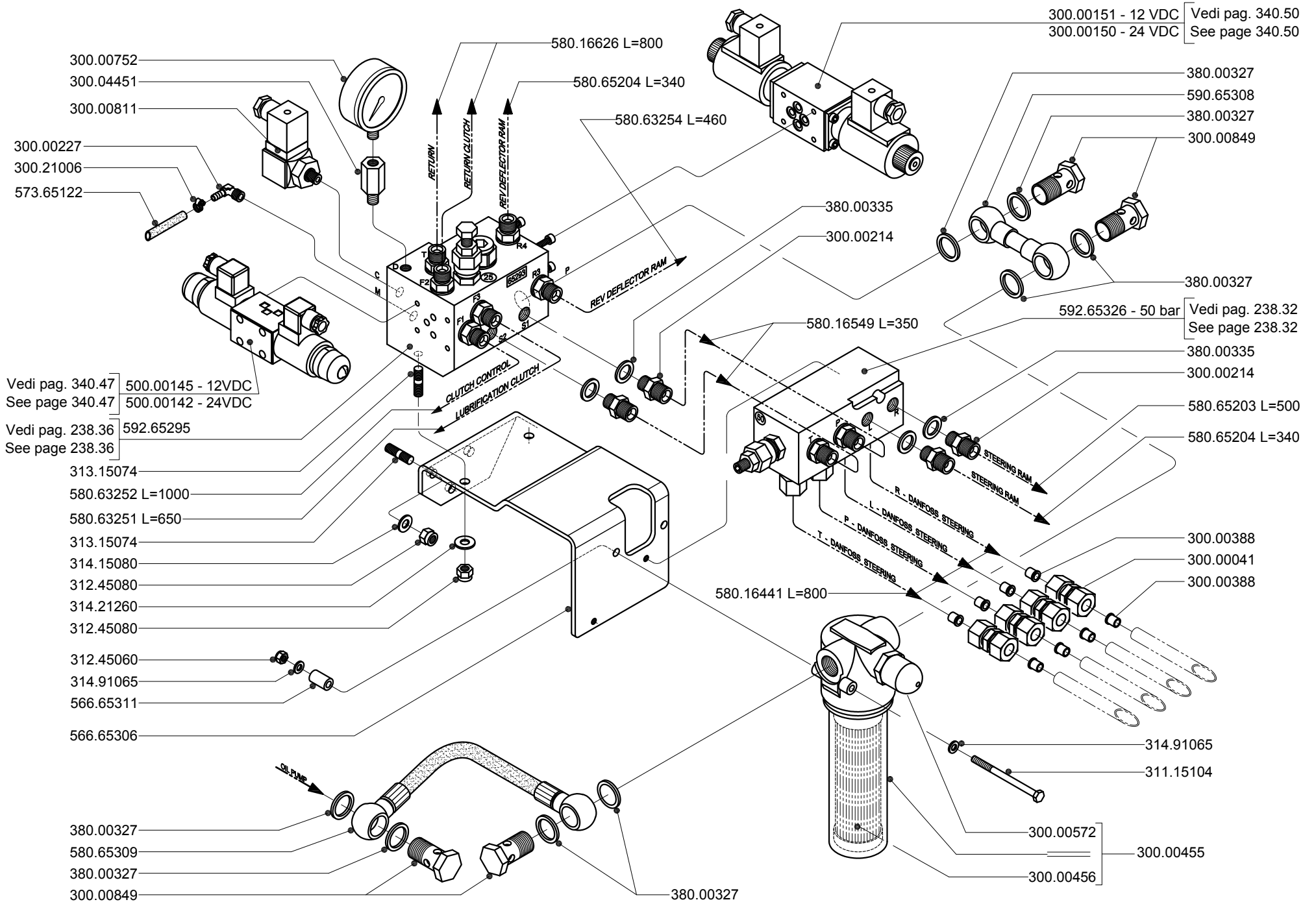


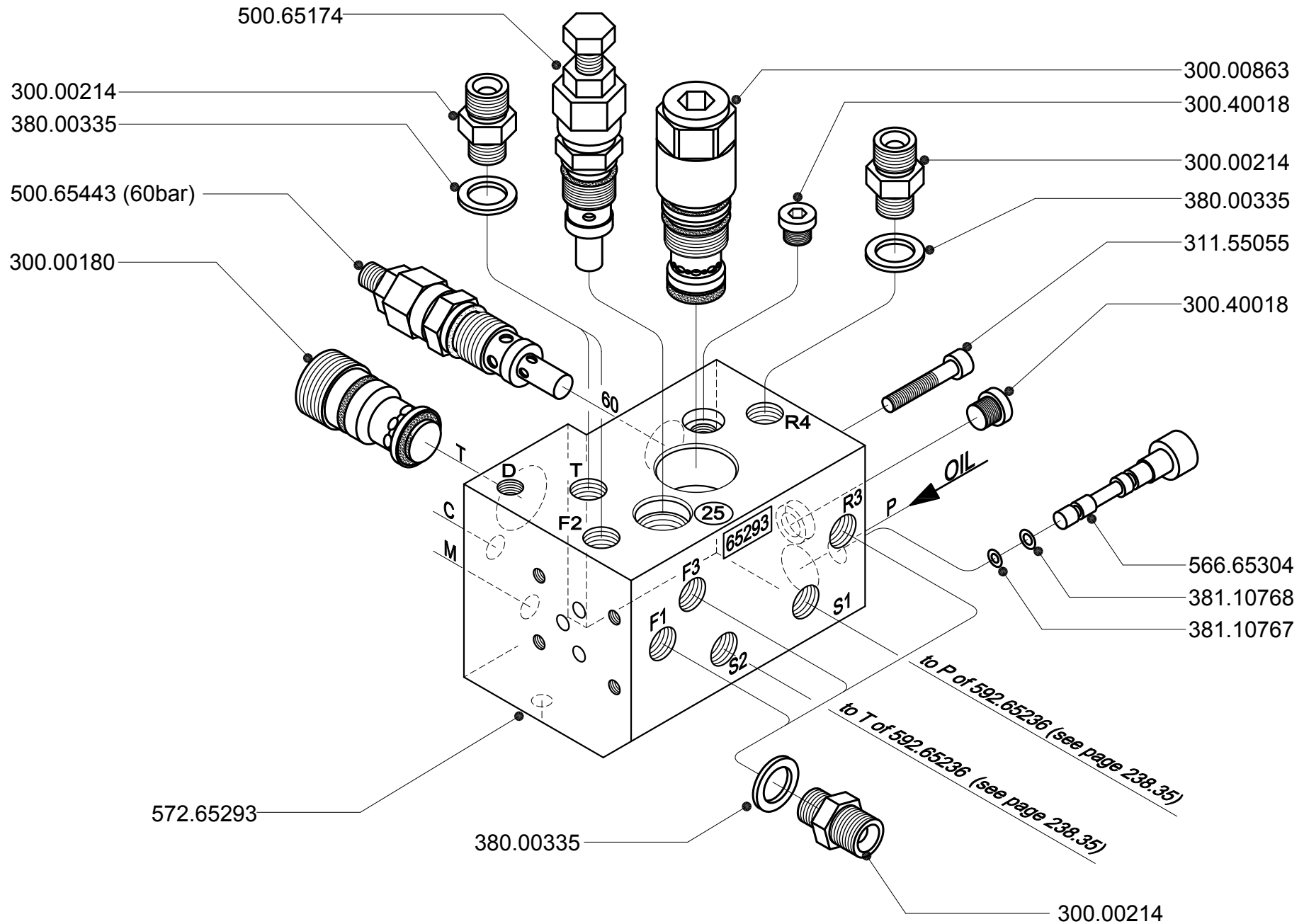


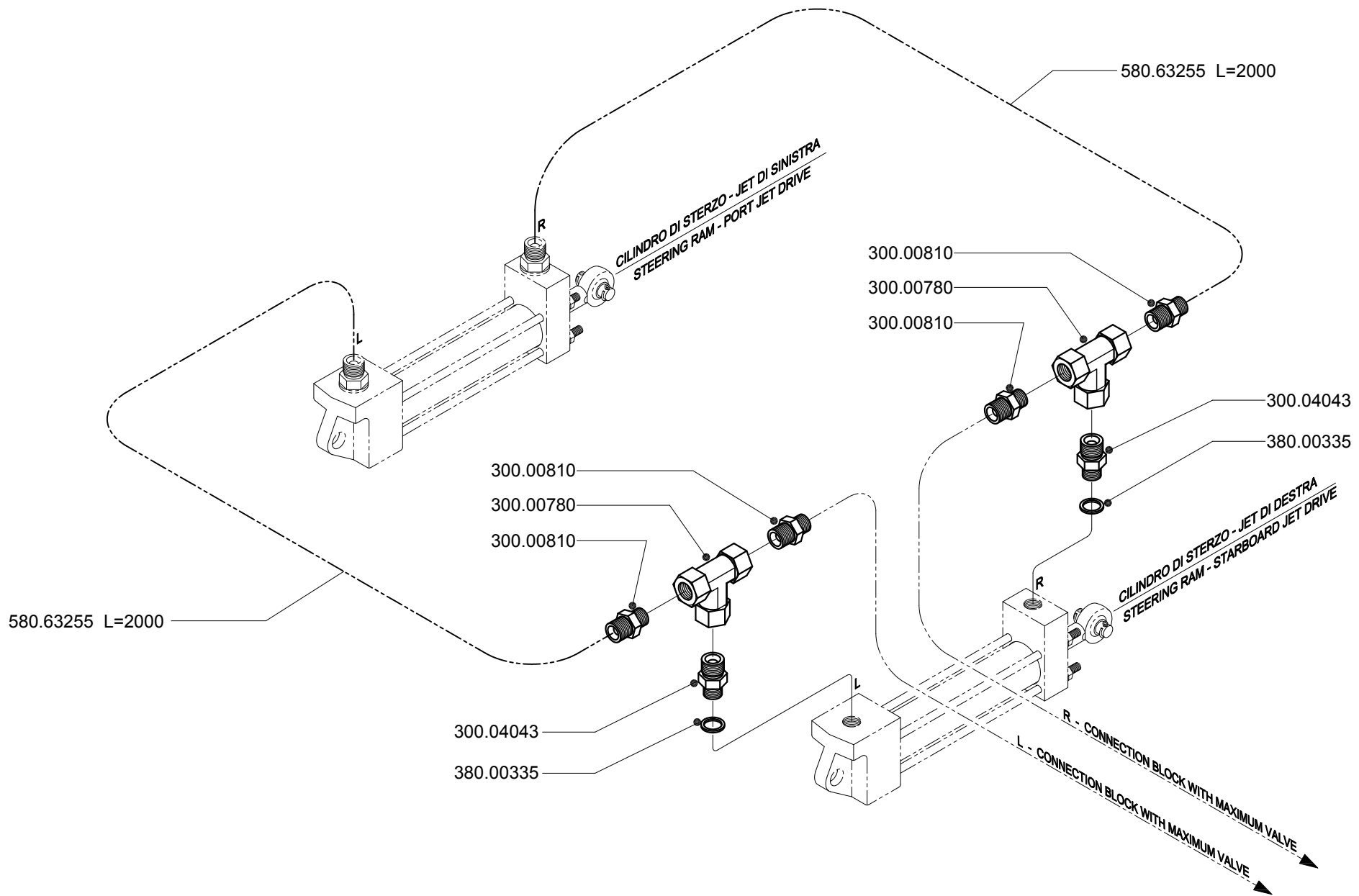


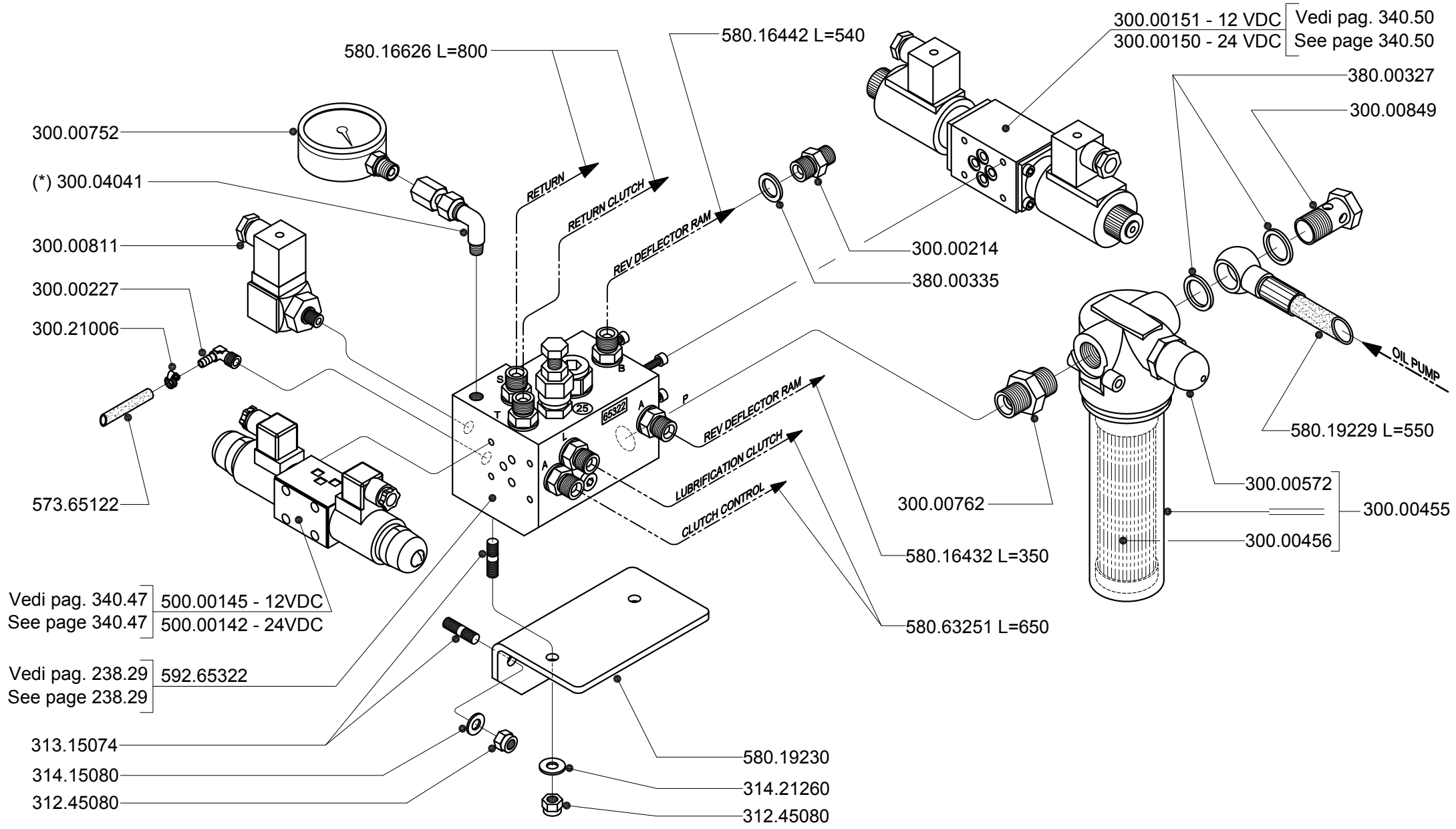


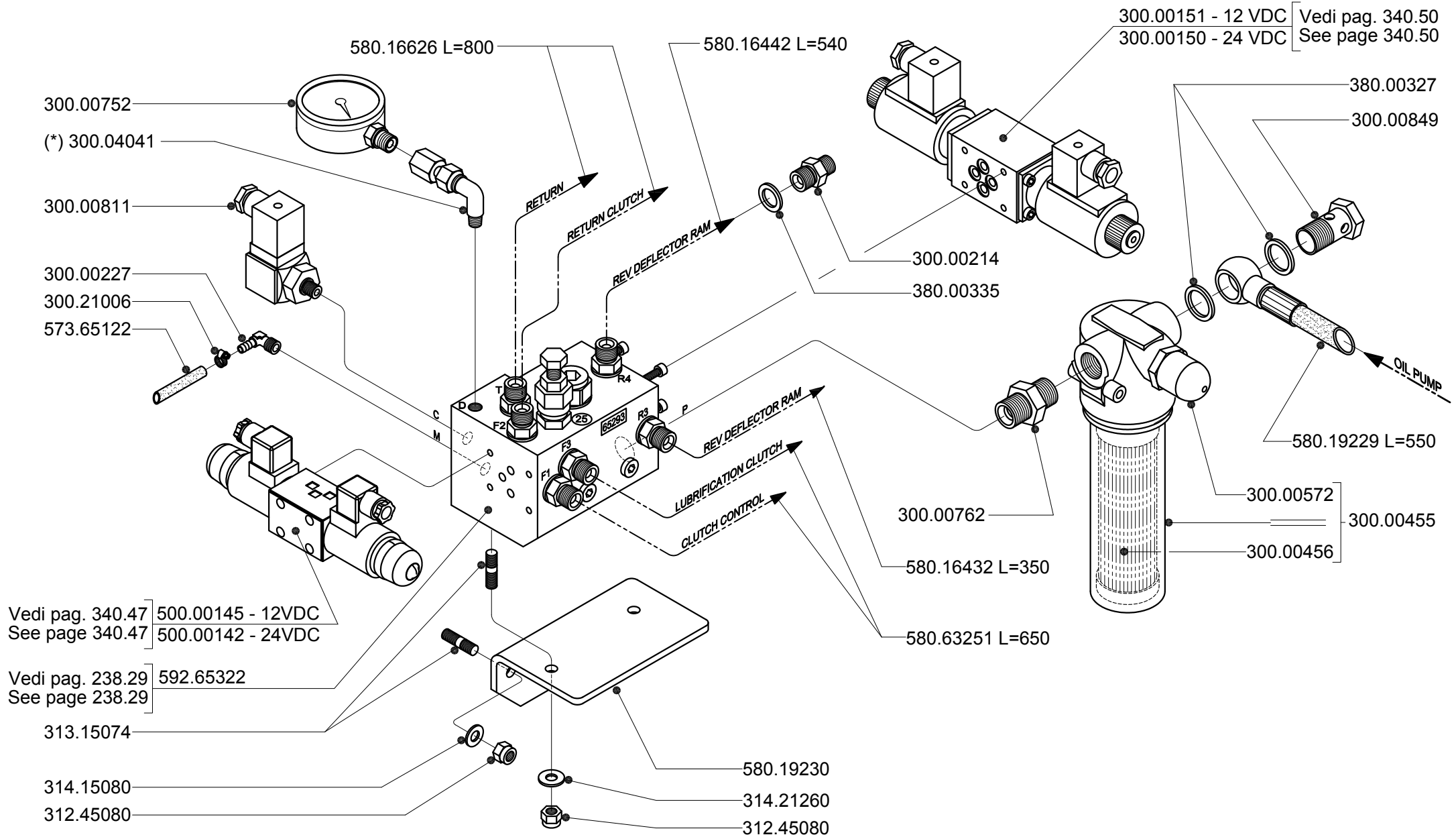


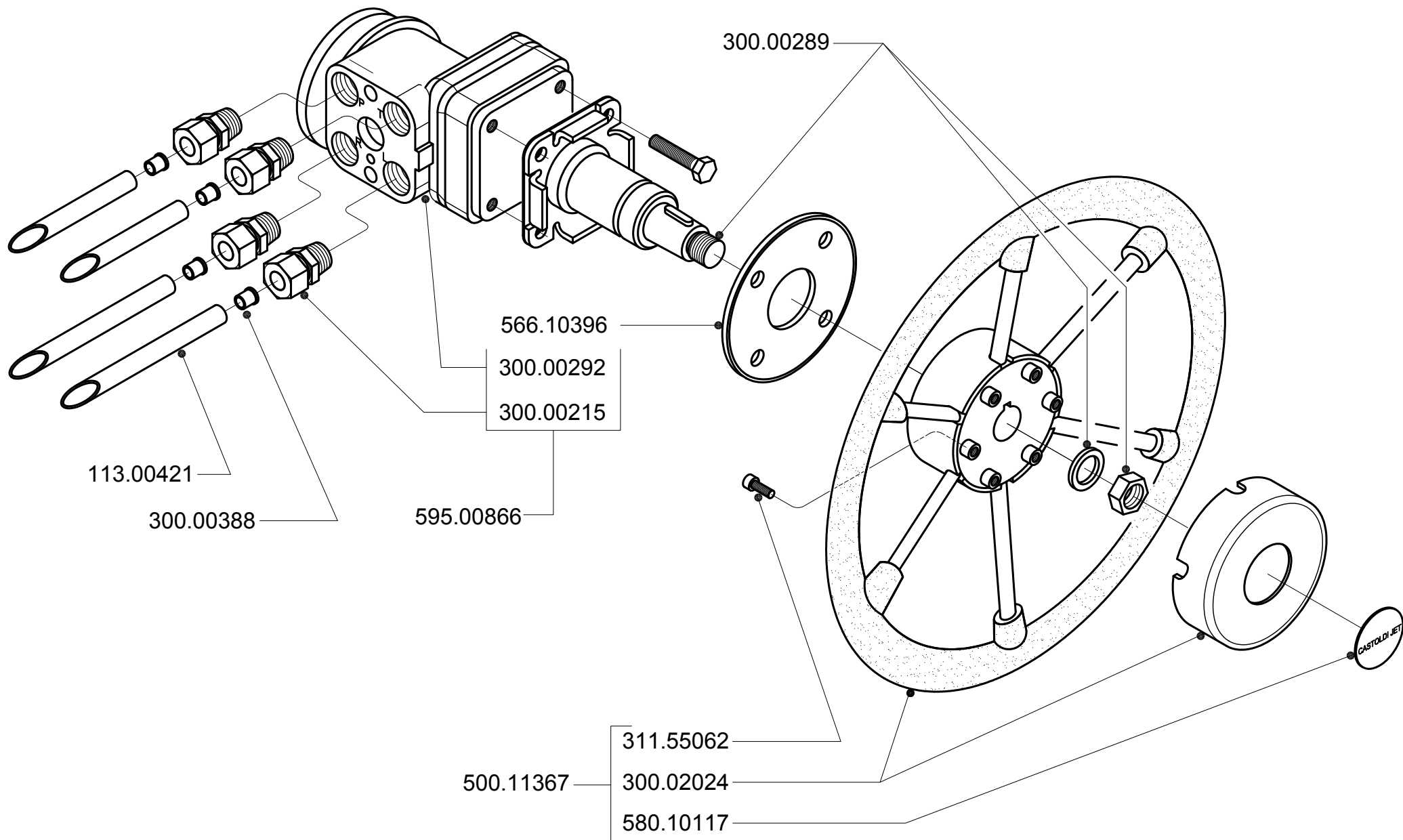


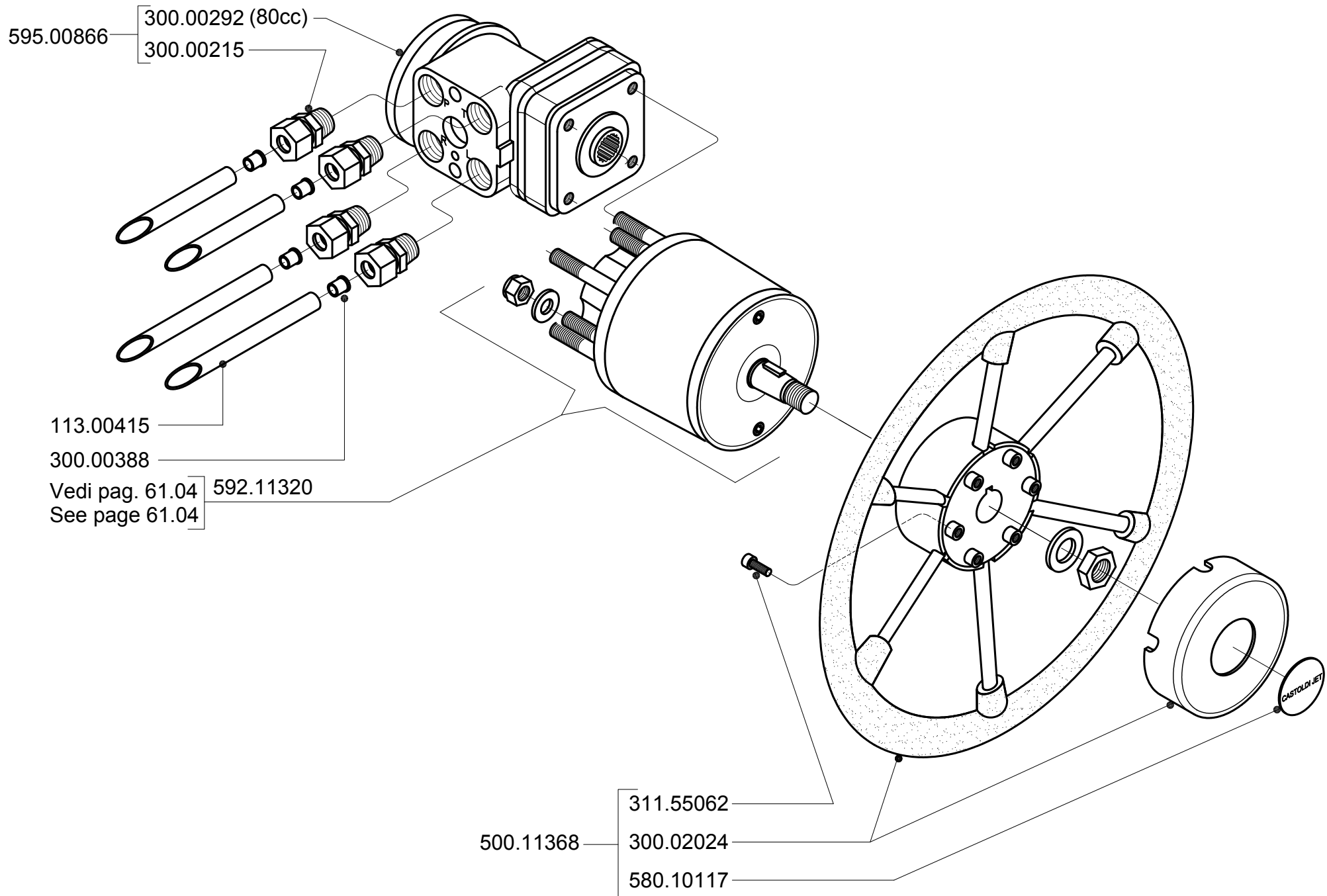


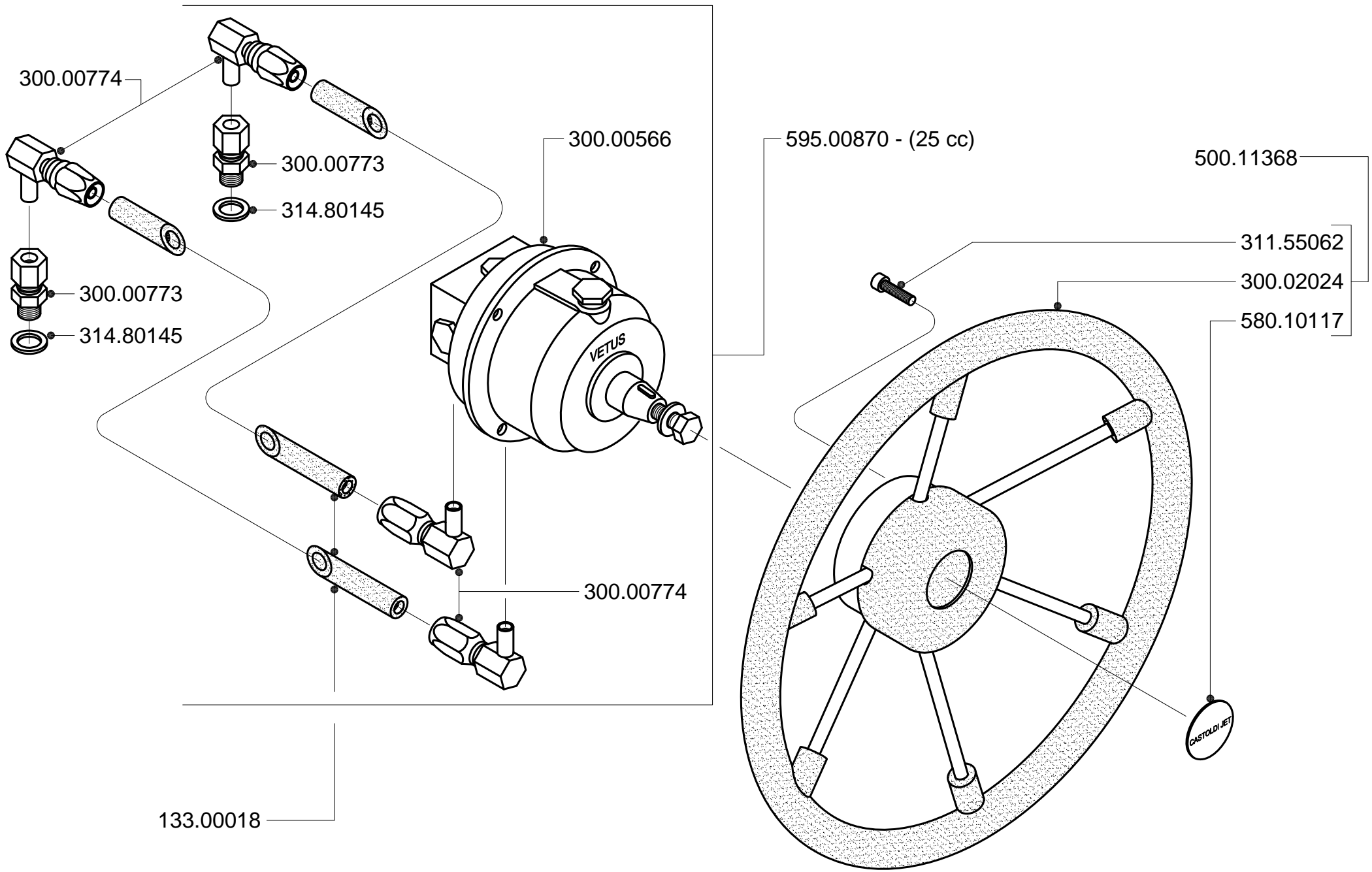


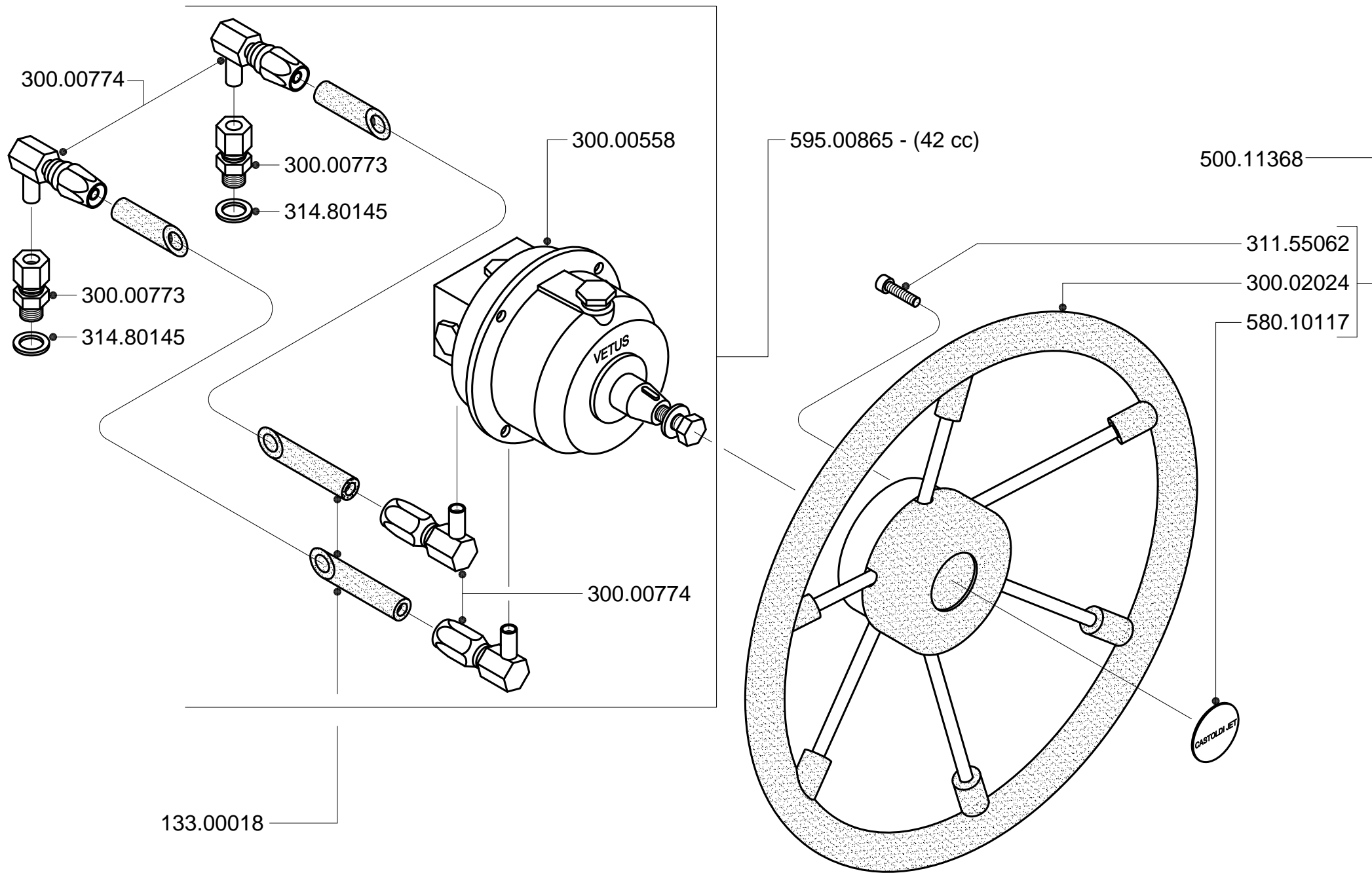


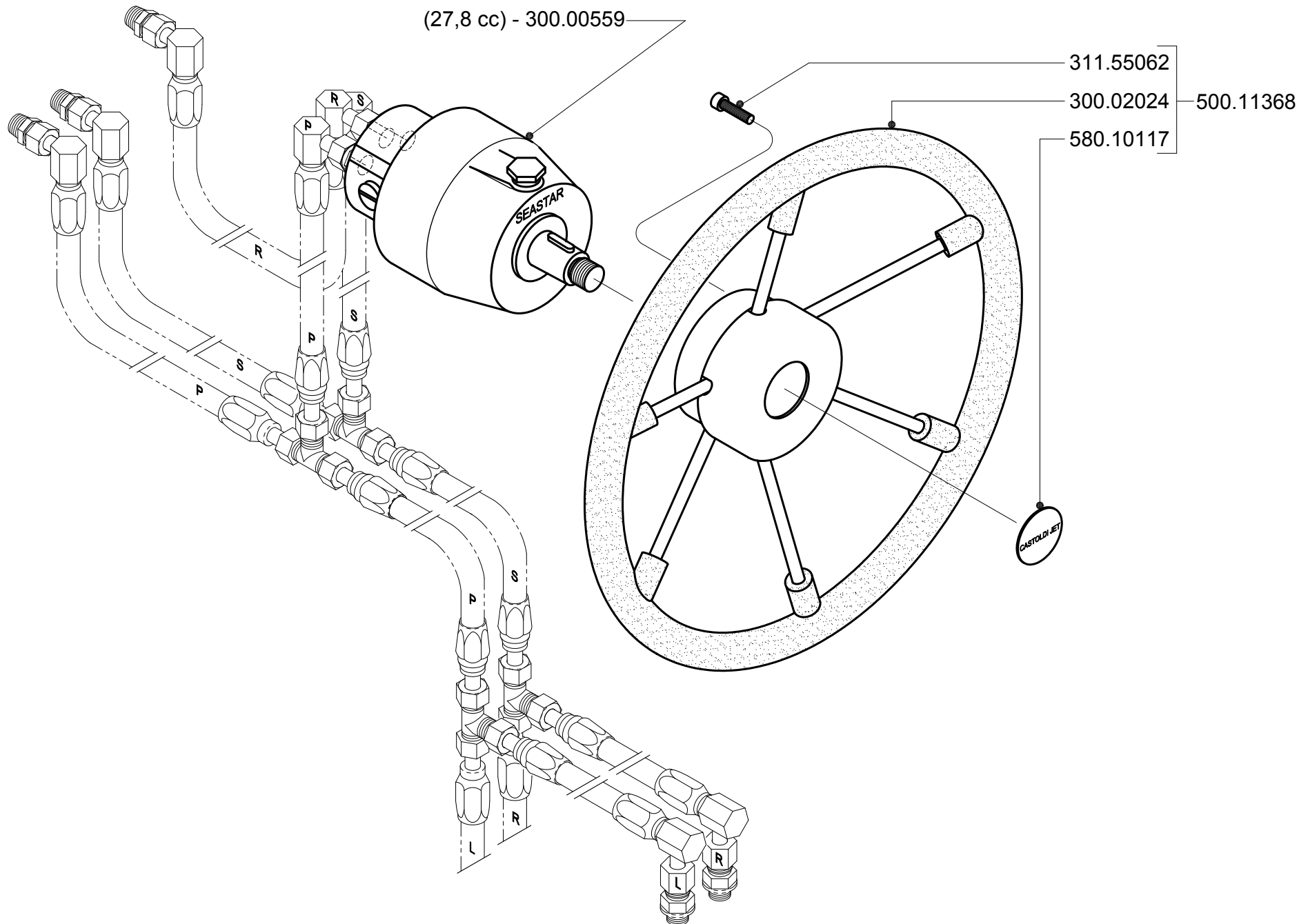


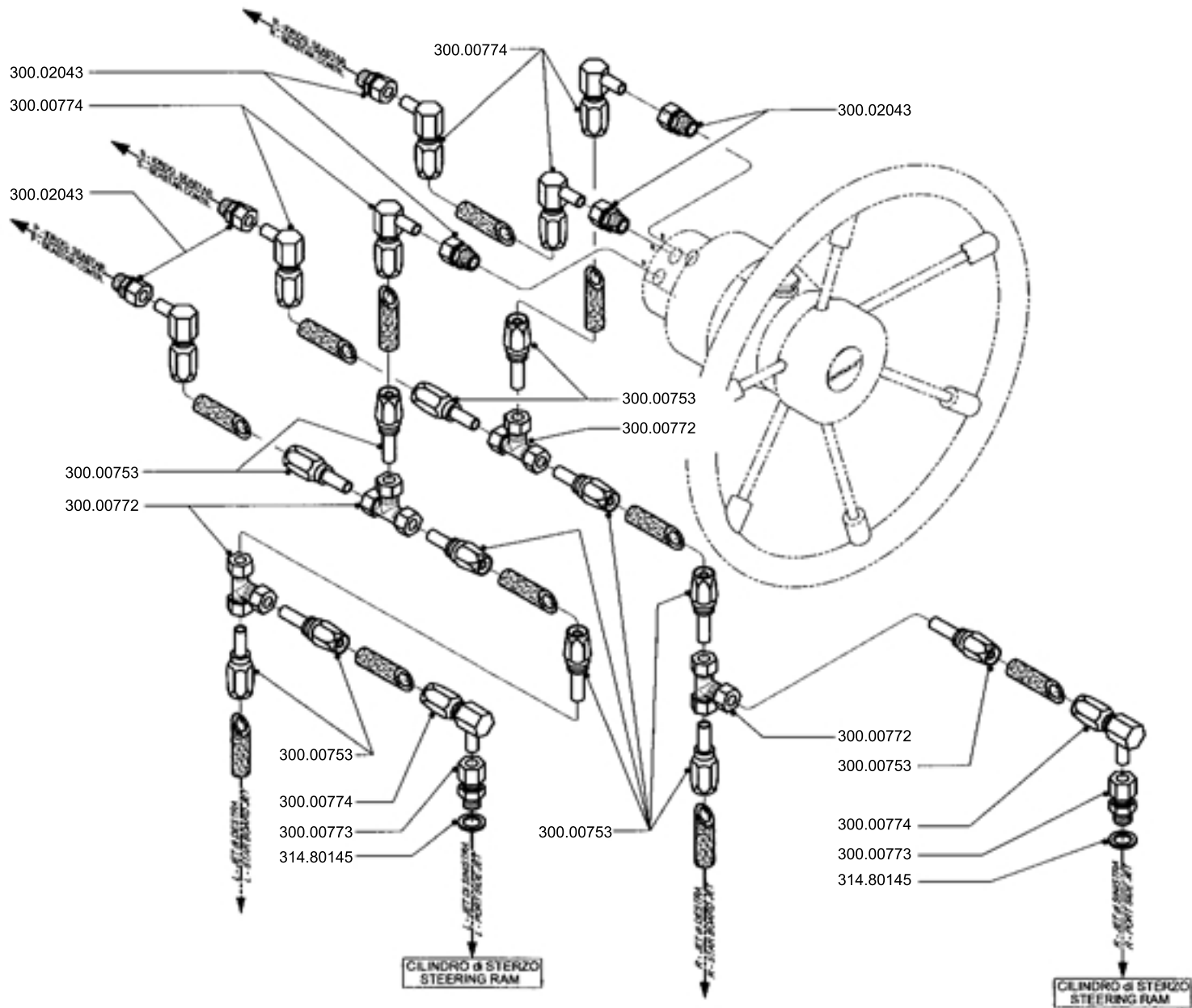


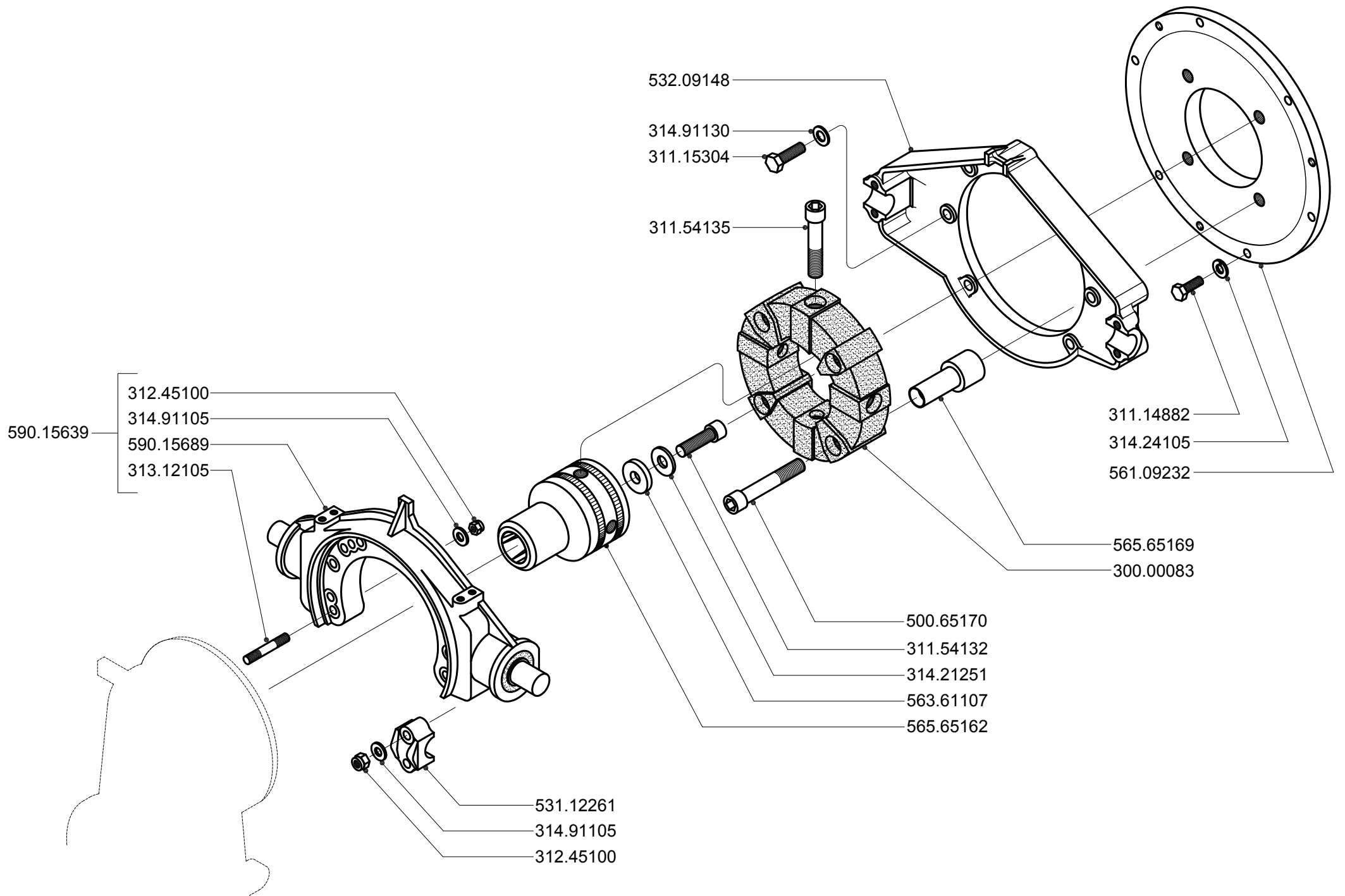


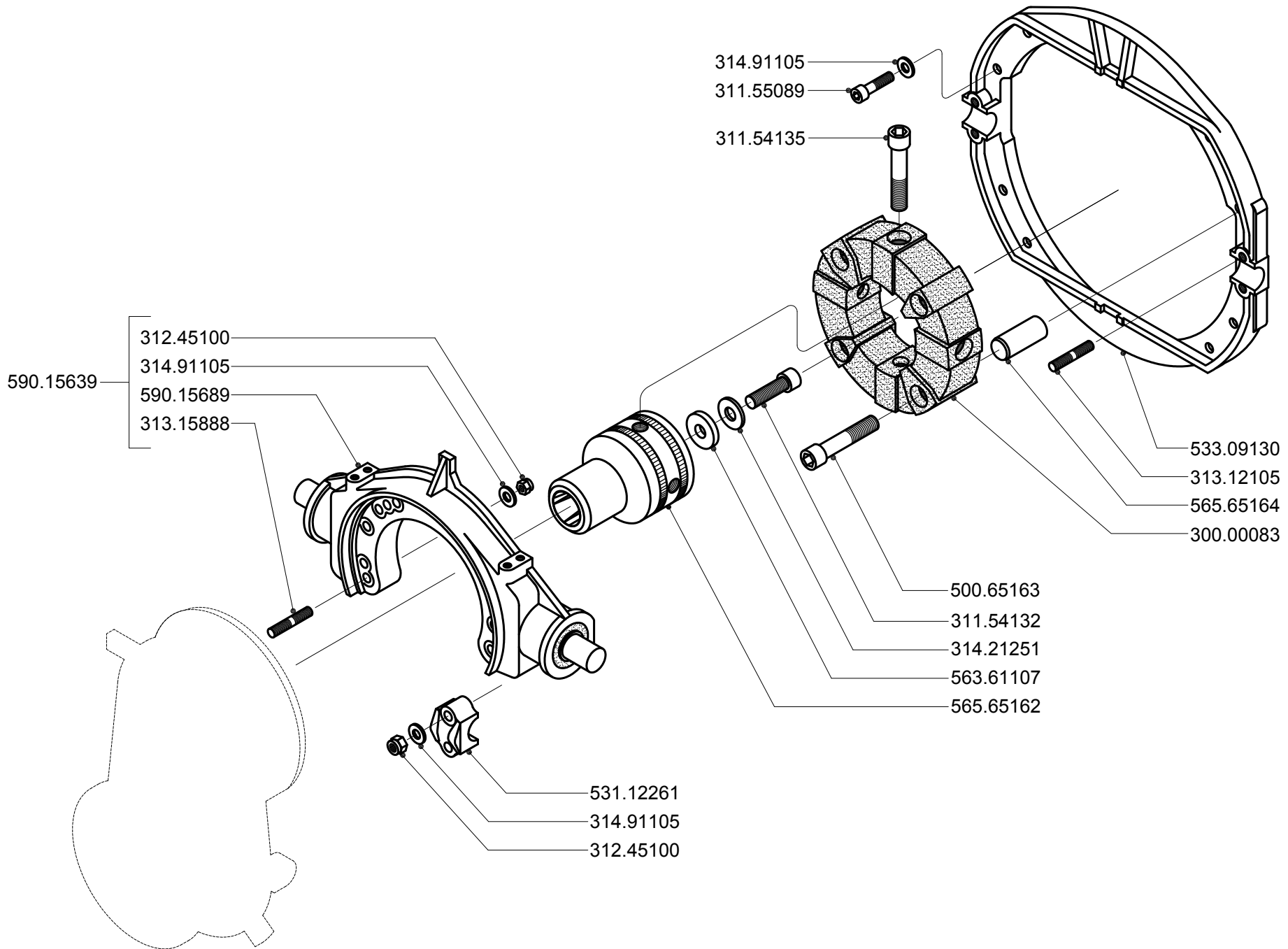


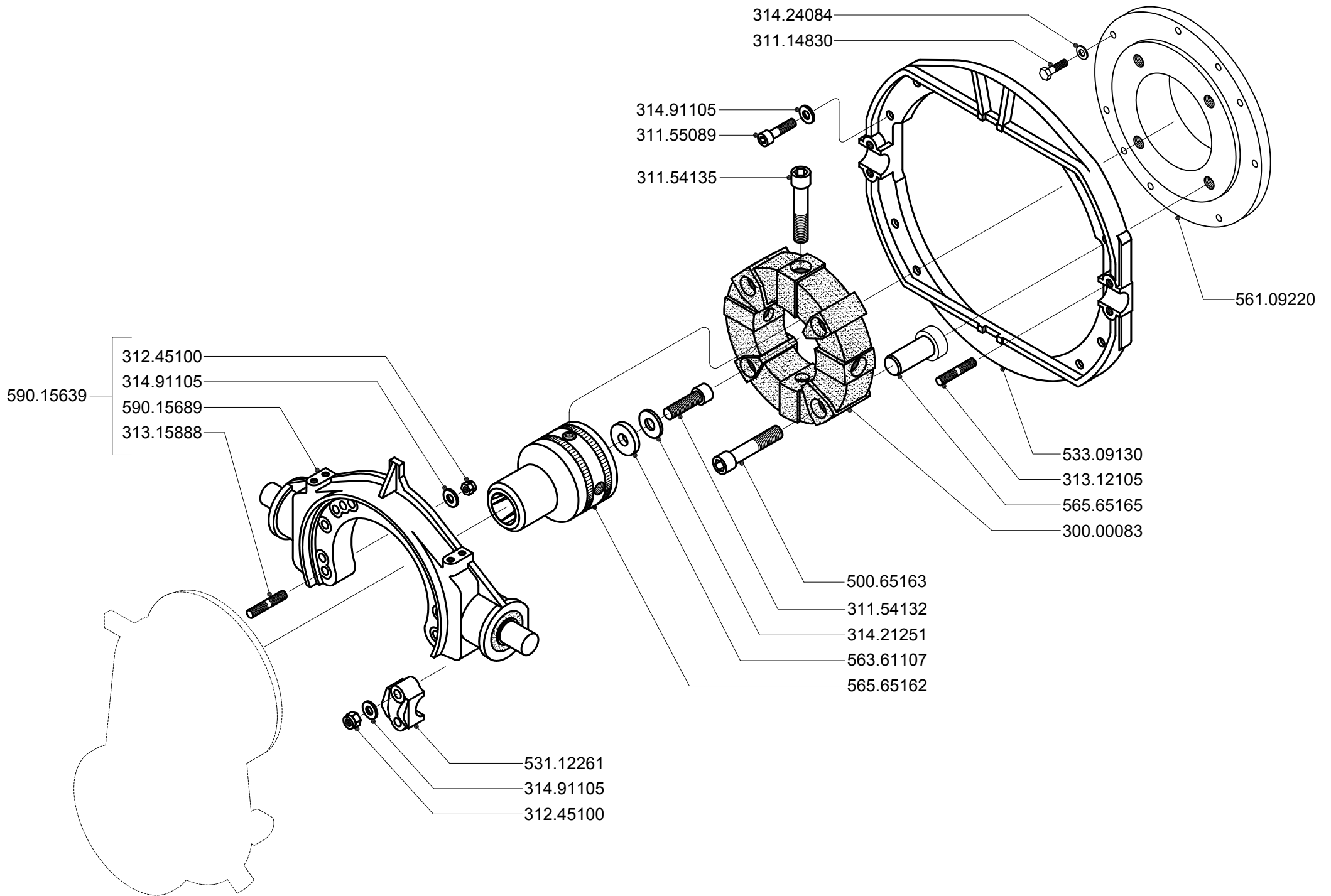




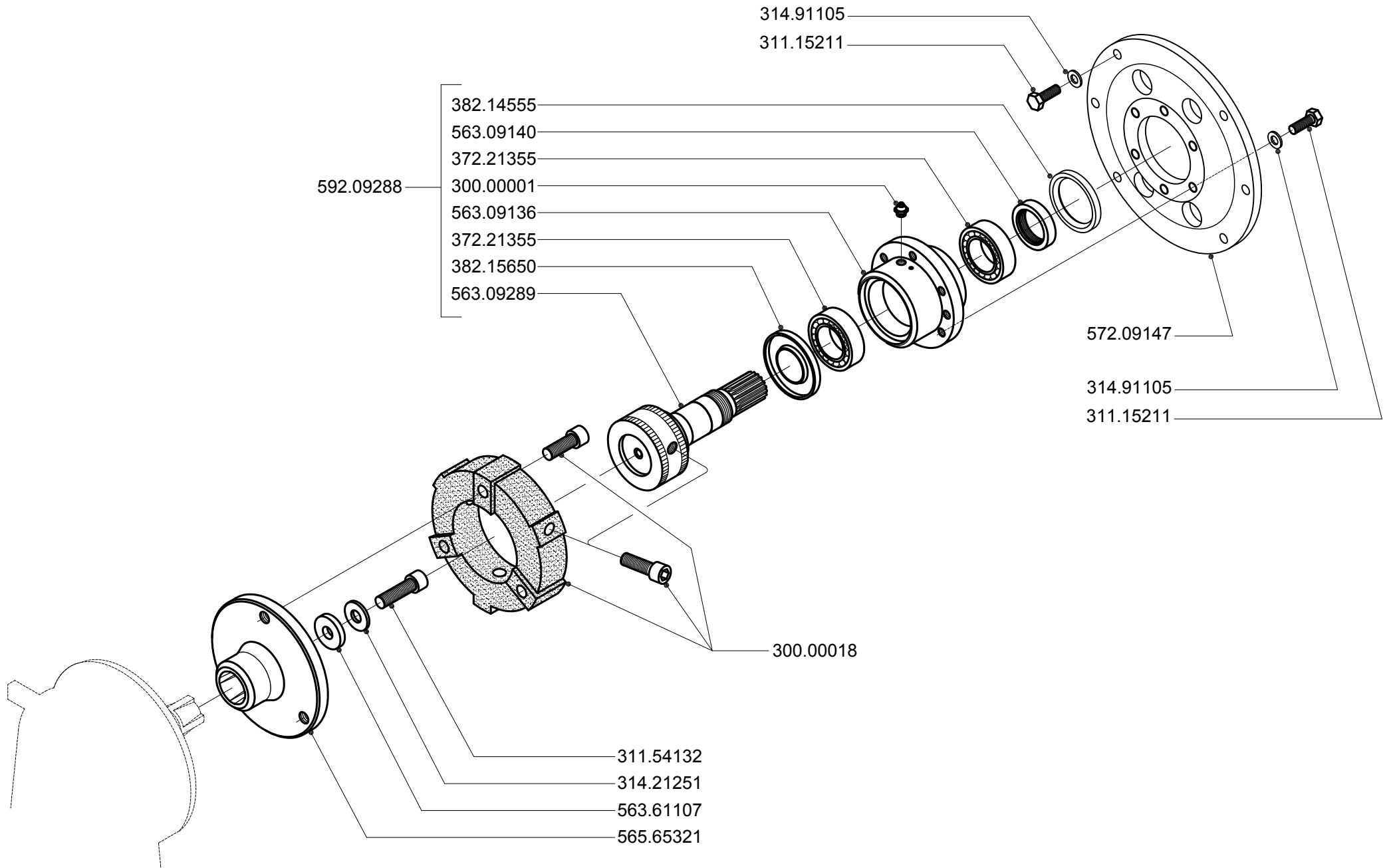




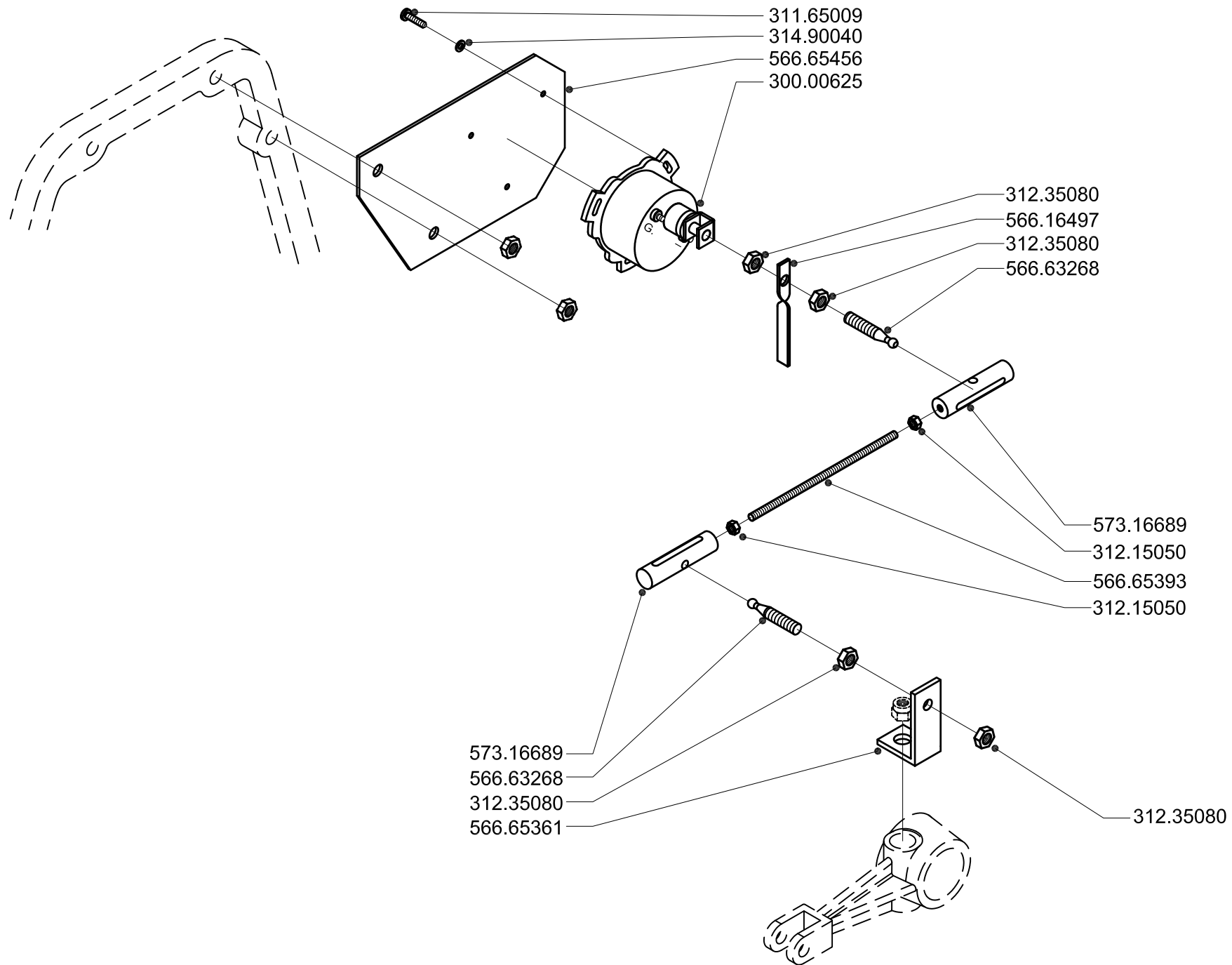




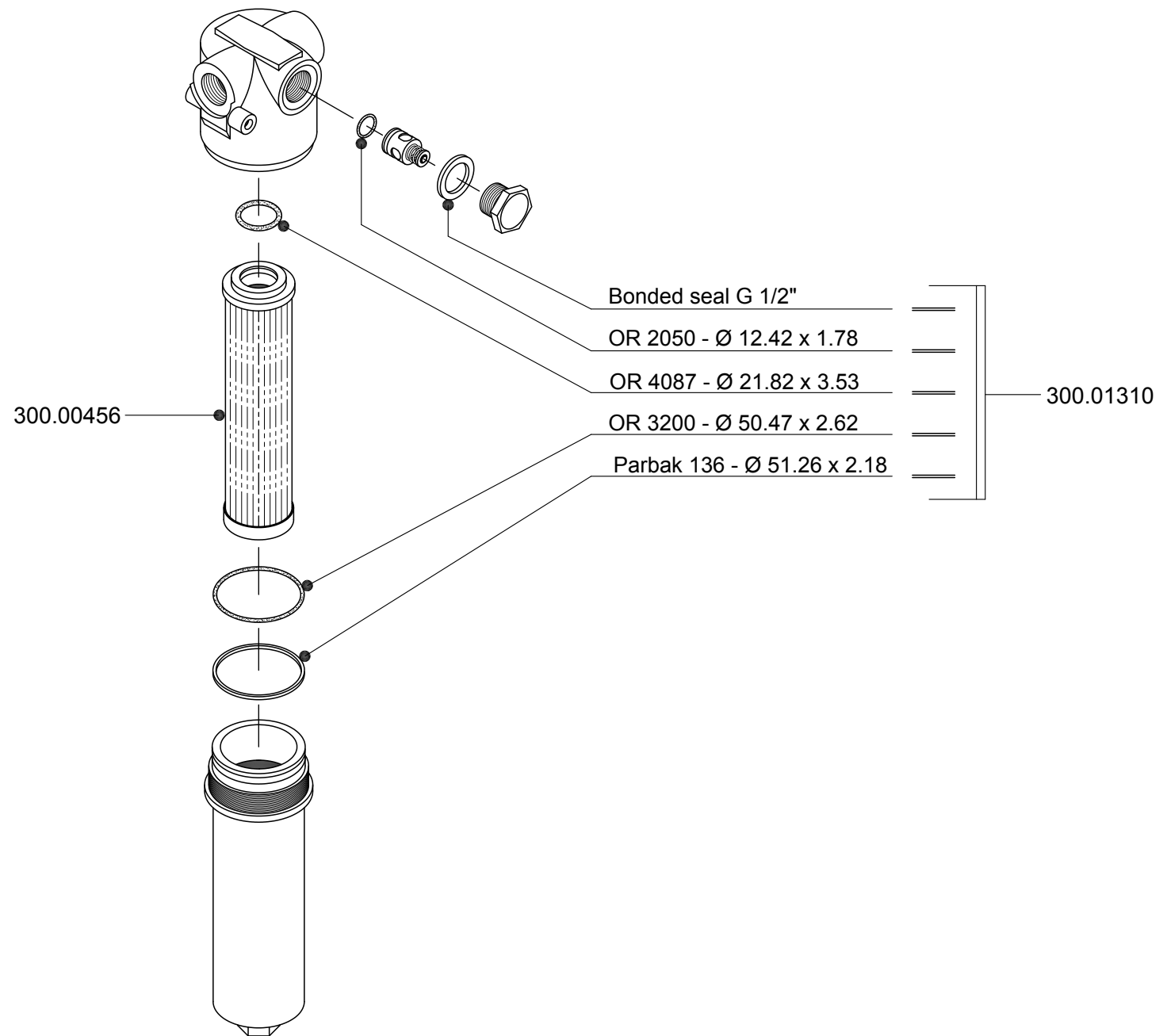
592-65167 - KIT ACCOPPIAMENTO DIRETTO AI MOTORI STEYR mod. 246 HC - MO 236 K43 - MO 256 K43
 592-65167 - KIT CLOSE COUPLING TO THE ENGINES STEYR mod. 246 HC - MO 236 K43 - MO 256 K43

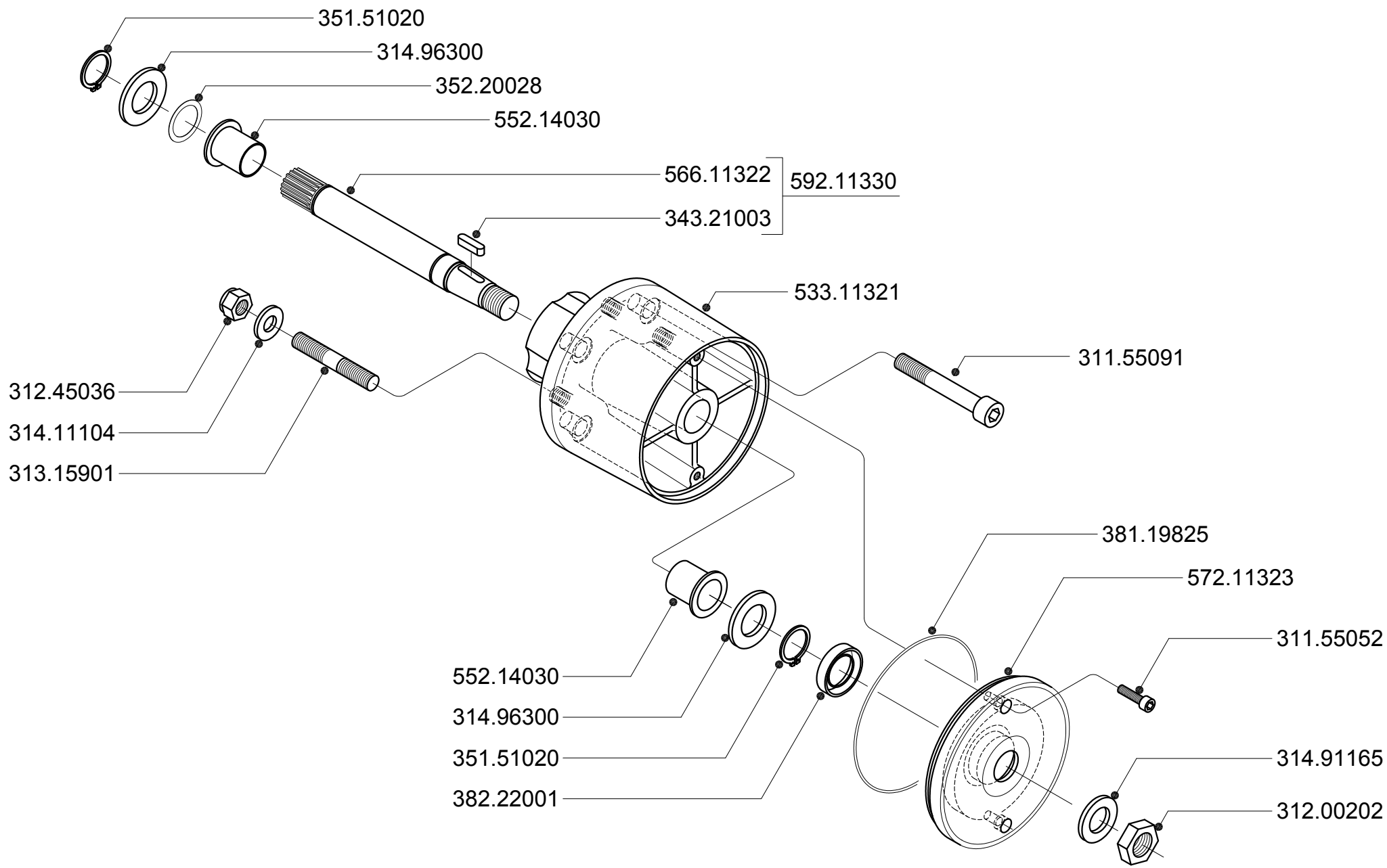


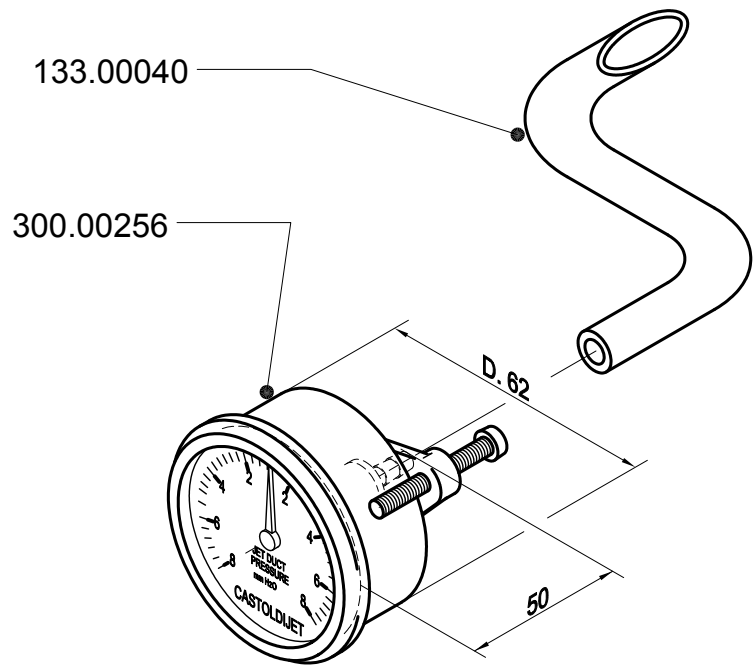
592-65320 - KIT ACCOPPIAMENTO MOTORI VOLVO PENTA D3-160
592-65320 - KIT CLOSE COUPLING TO THE ENGINE VOLVO PENTA D3-160



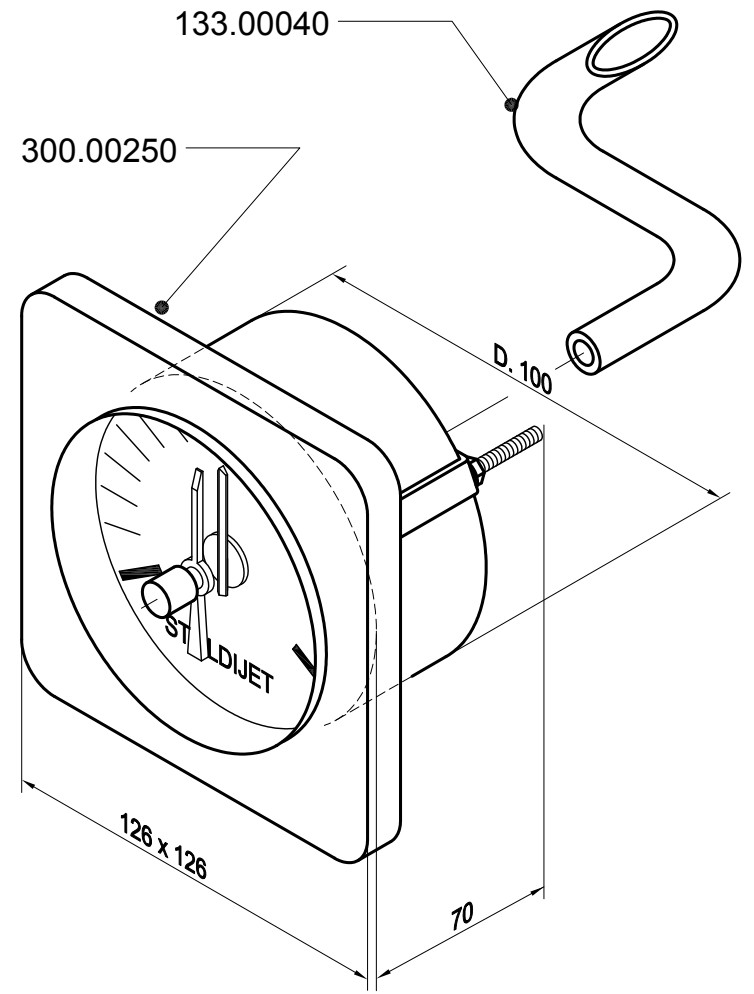
595.65392 - GRUPPO INDICATORE VDO PER TENDER
 595.65392 - TENDER VDO INDICATOR ASSEMBLY



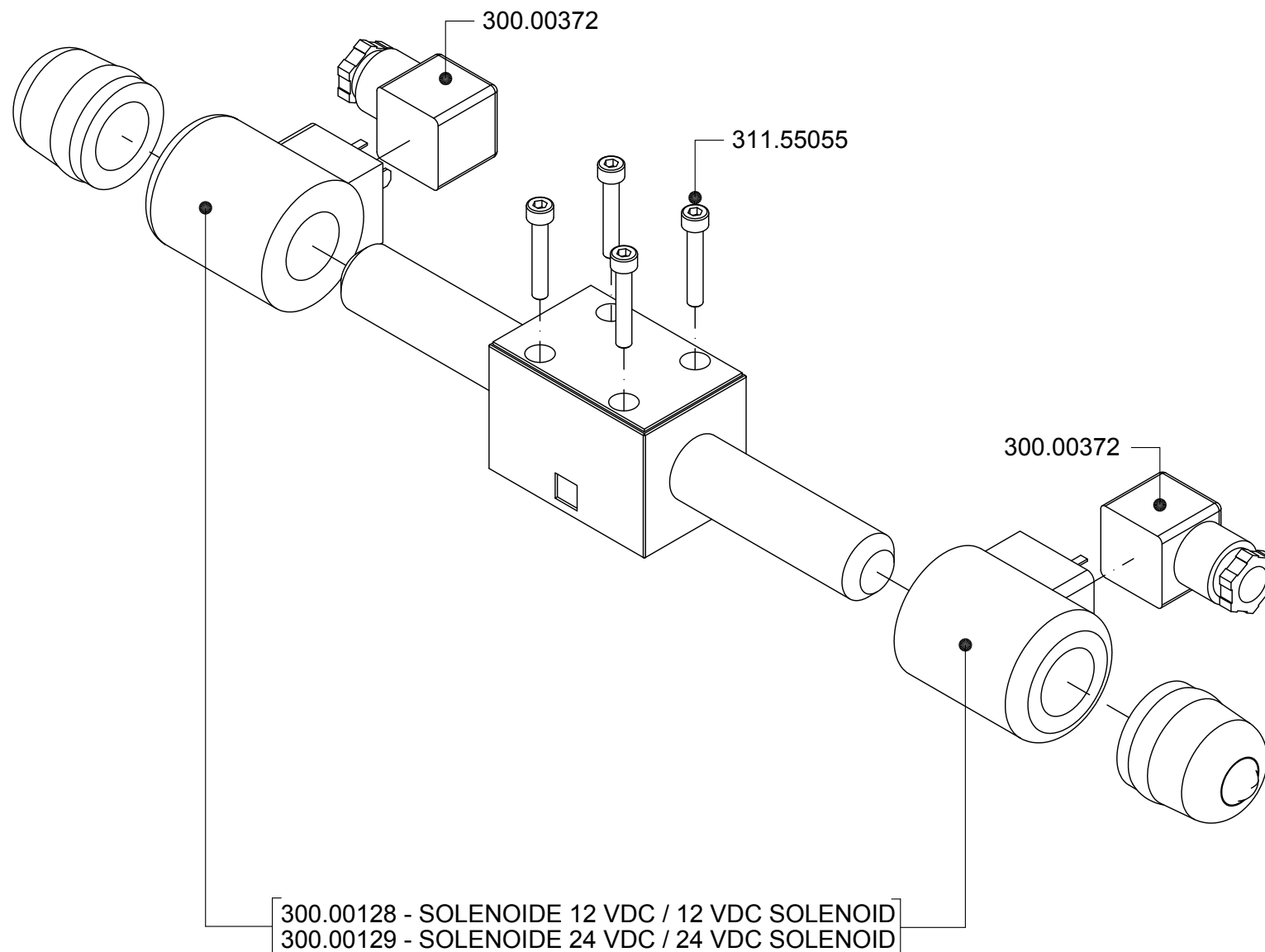




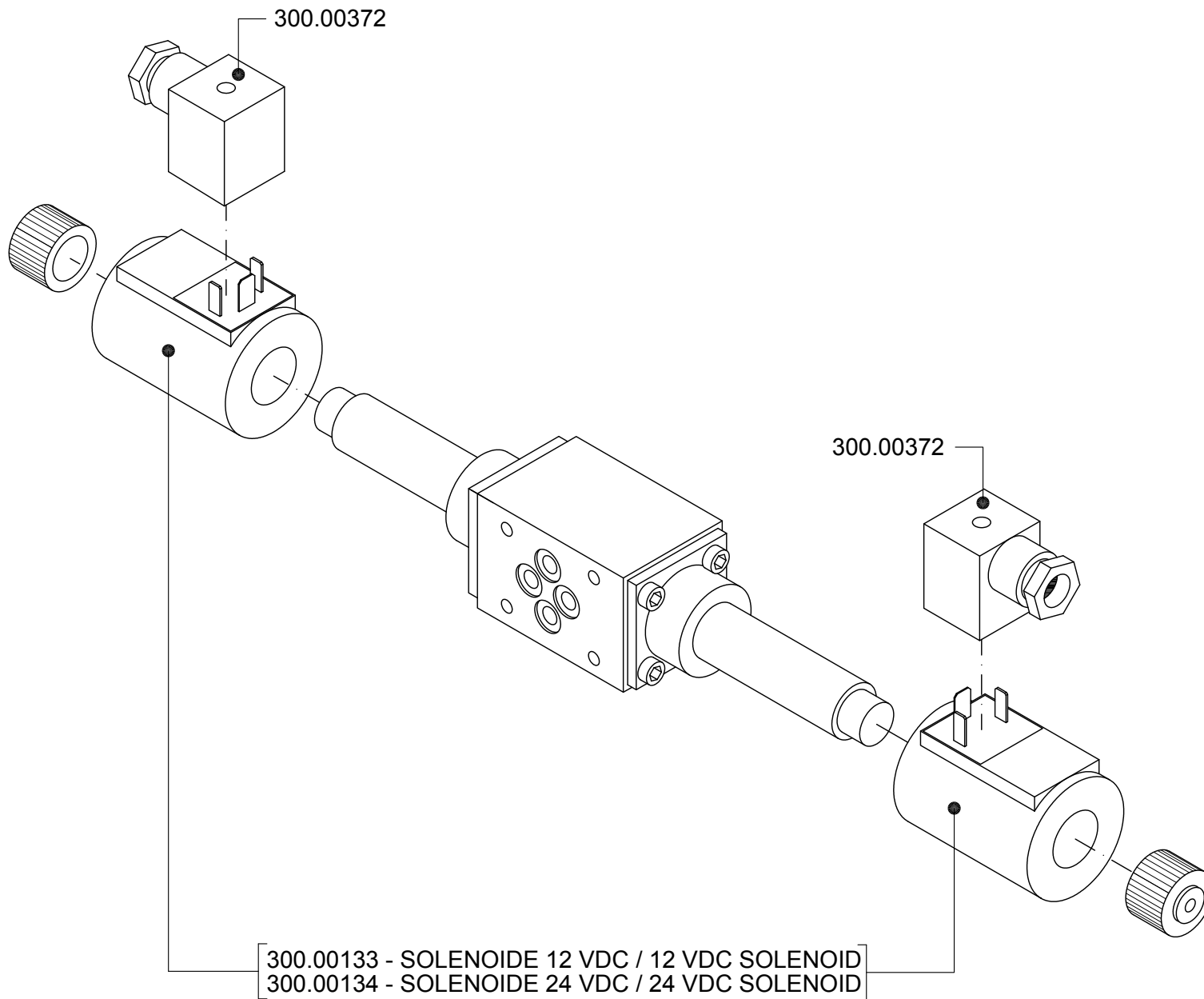
599.02917 - MONOVUOTOMETRO CASTOLDI D.62 CON TUBETTO
 599.02917 - CASTOLDI PRESSURE GAUGE D.62 WITH HOSE

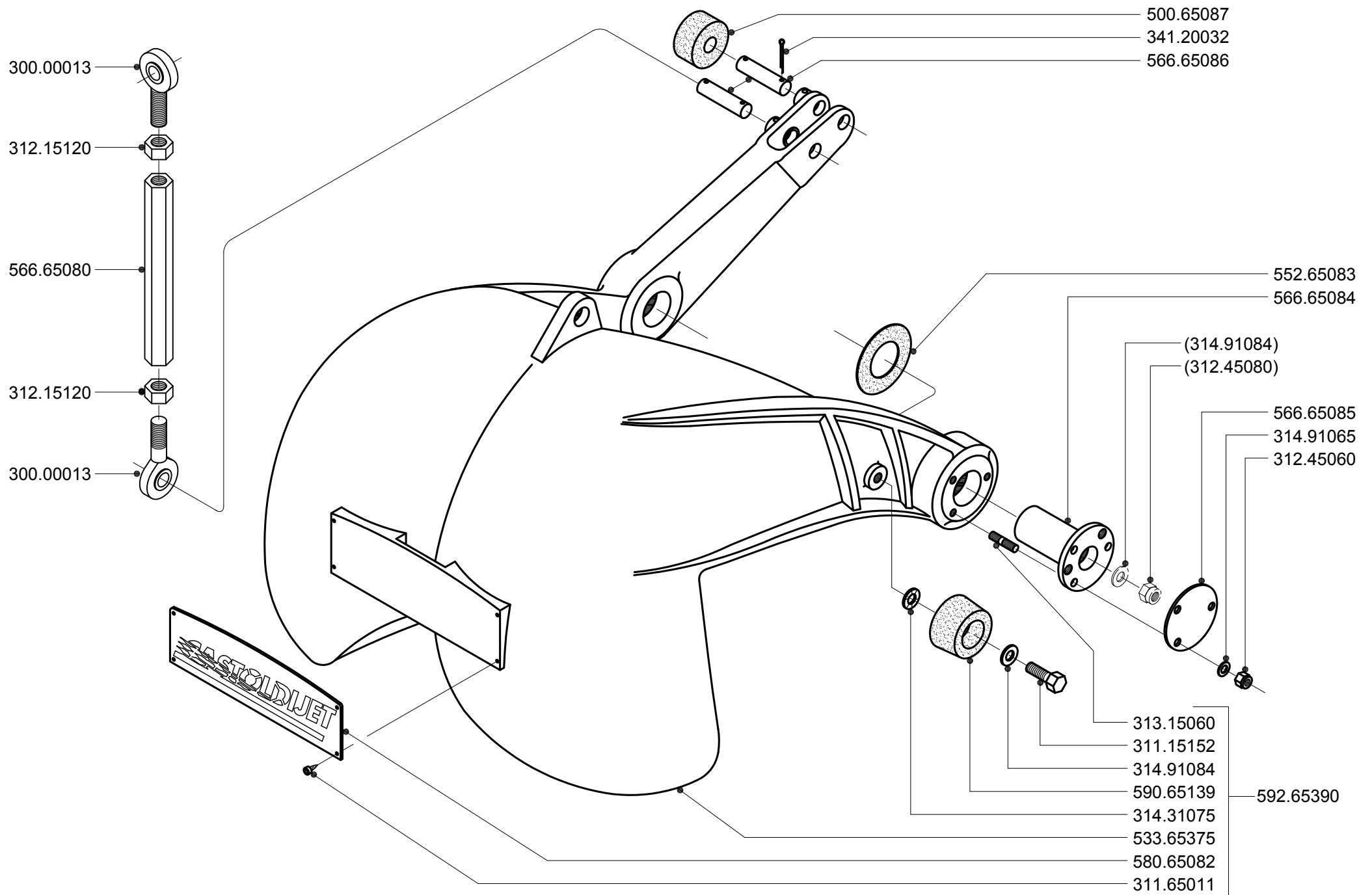


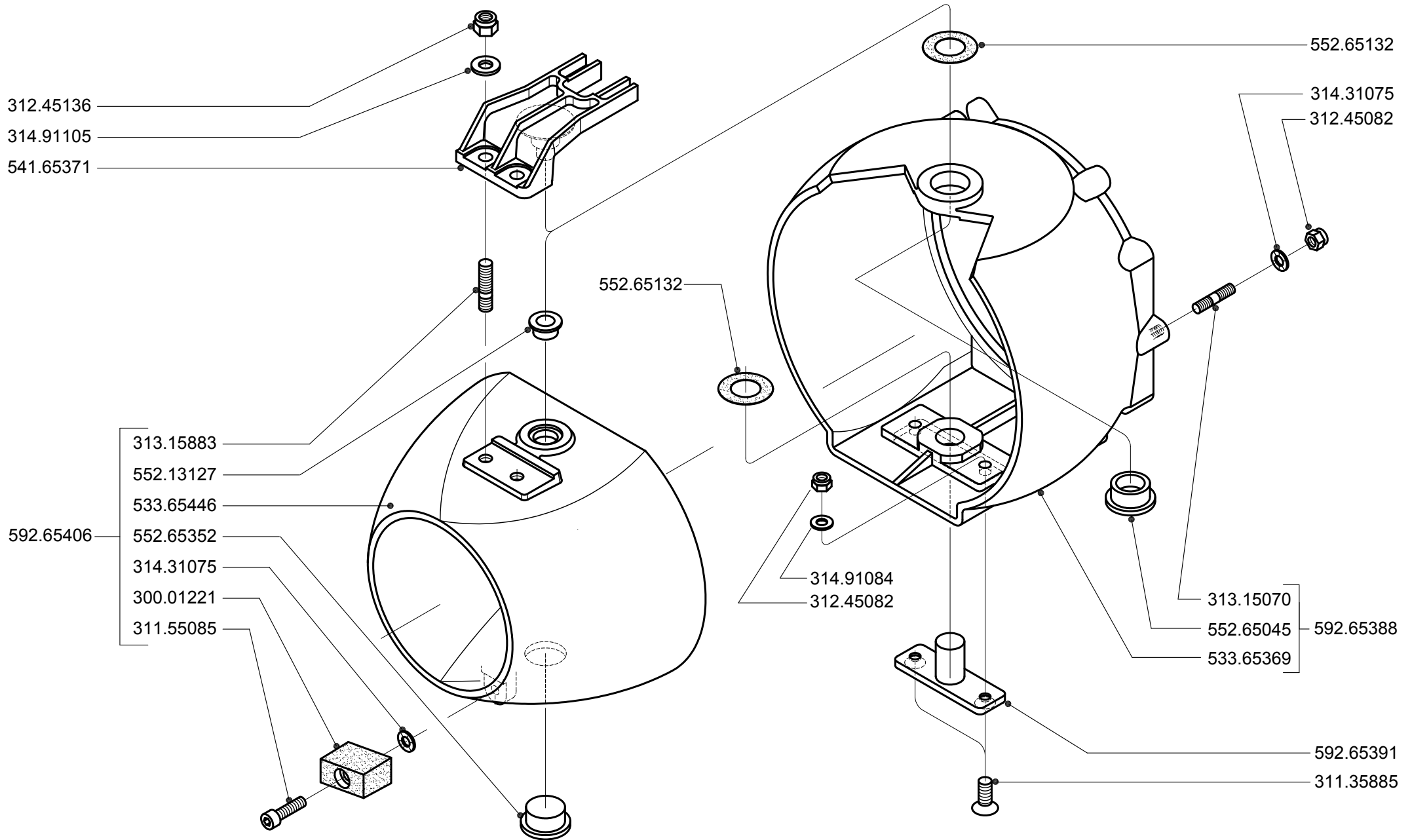
599.02919 - MONOVUOTOMETRO QUADRO 126 x 126 CON TUBETTO
 599.02919 - PRESSURE GAUGE 126 x 126 WITH HOSE

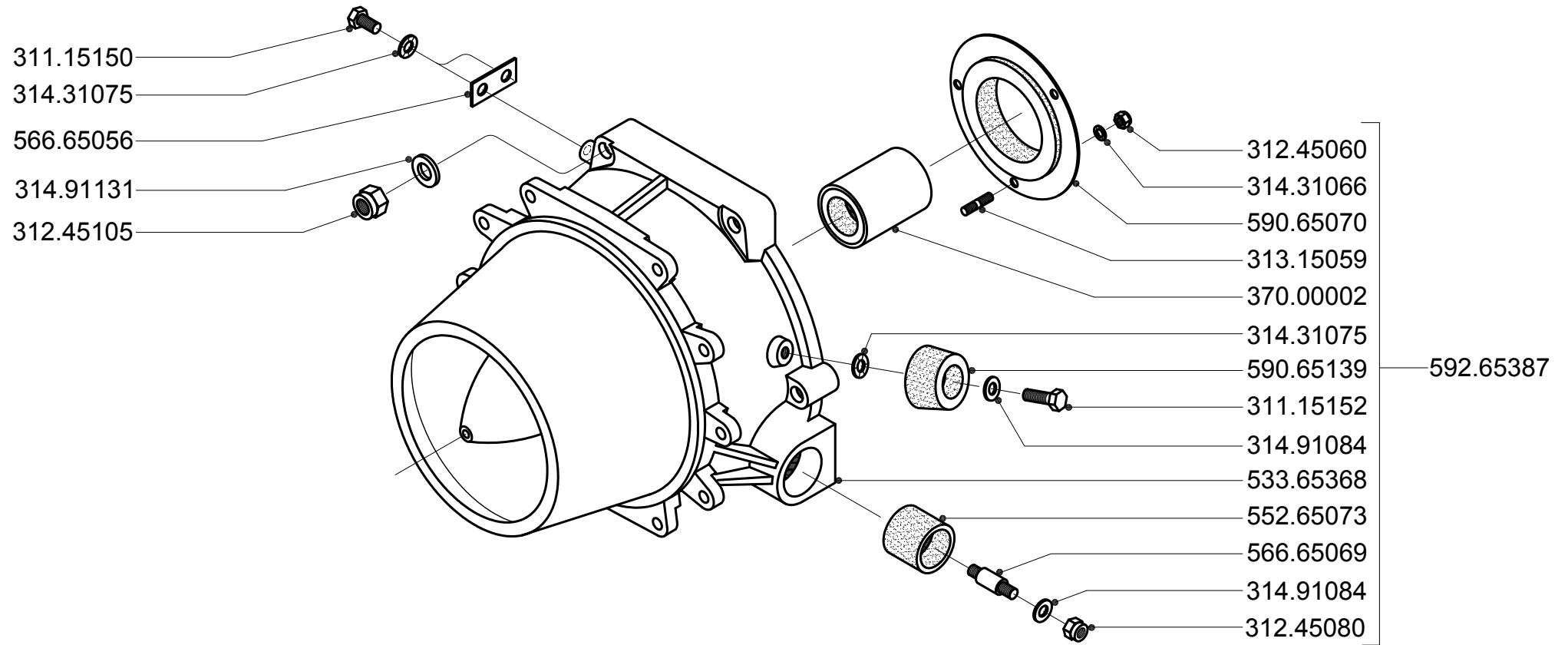


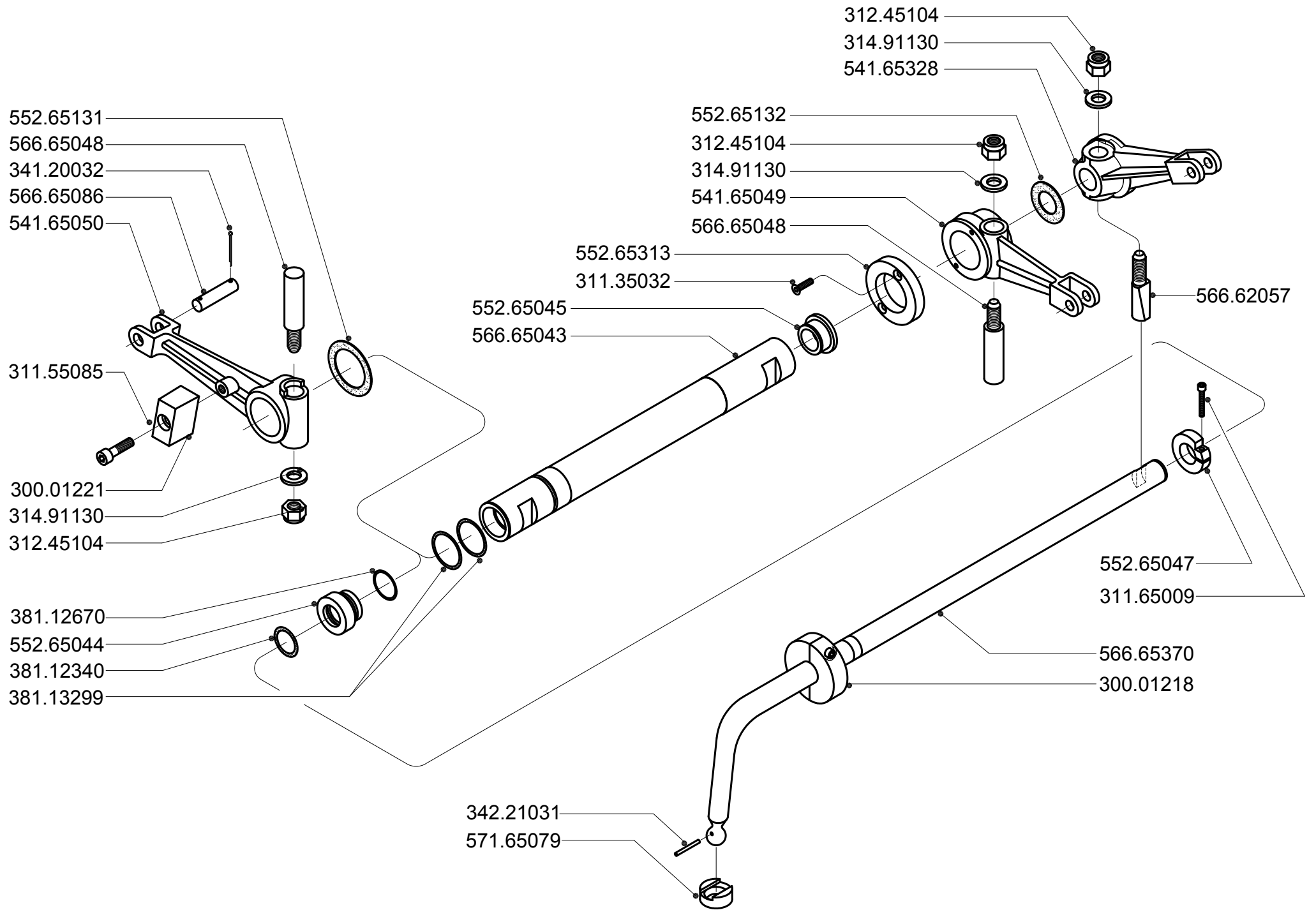
- 500.00145 - DHE 12V SOLENOID-VALVE ASSEMBLY
- 500.00142 - DHE 24V SOLENOID-VALVE ASSEMBLY
- 500.00225 - DHE 12V SOLENOID-VALVE ASSEMBLY
- 500.00228 - DHE 24V SOLENOID-VALVE ASSEMBLY



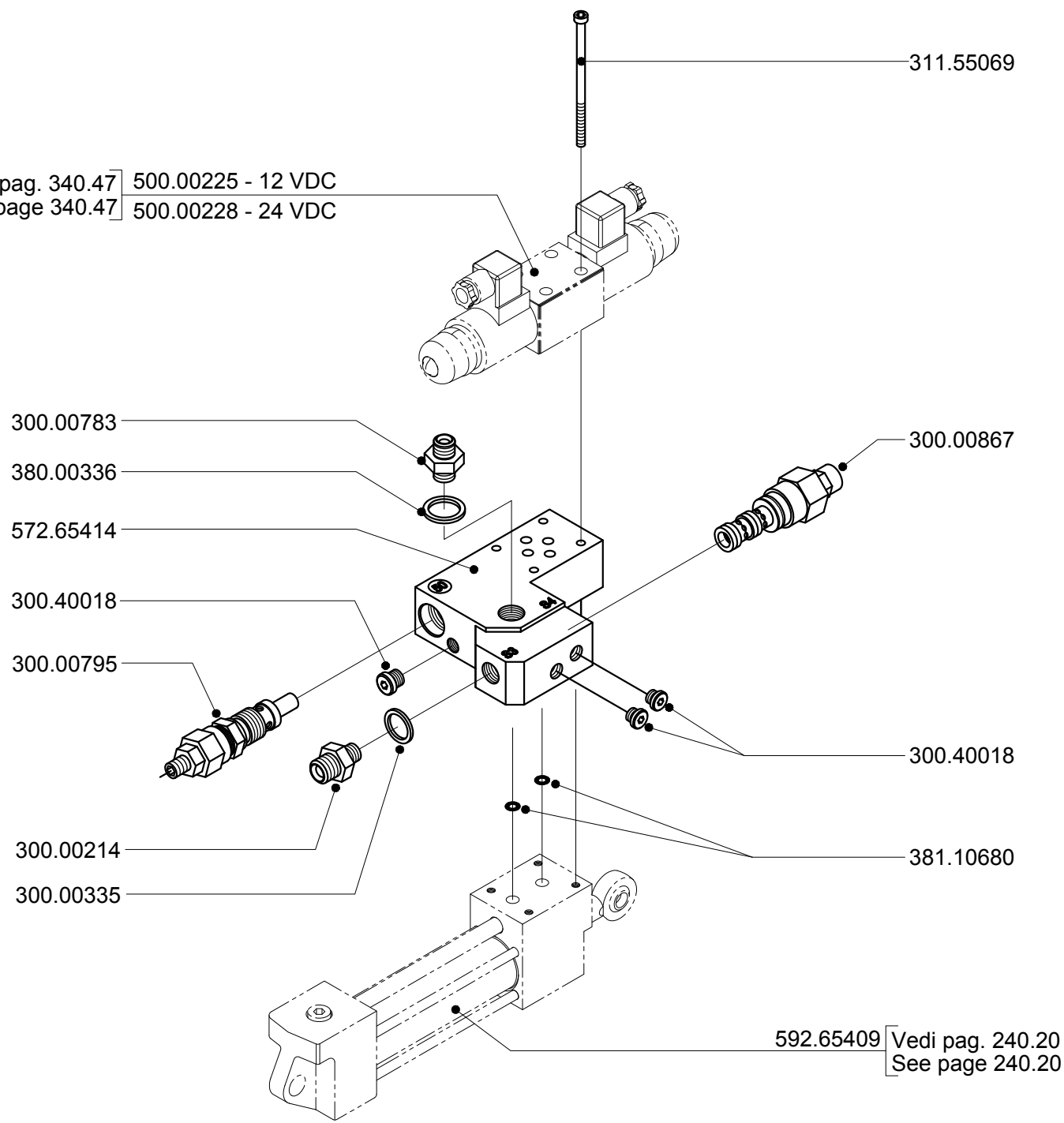






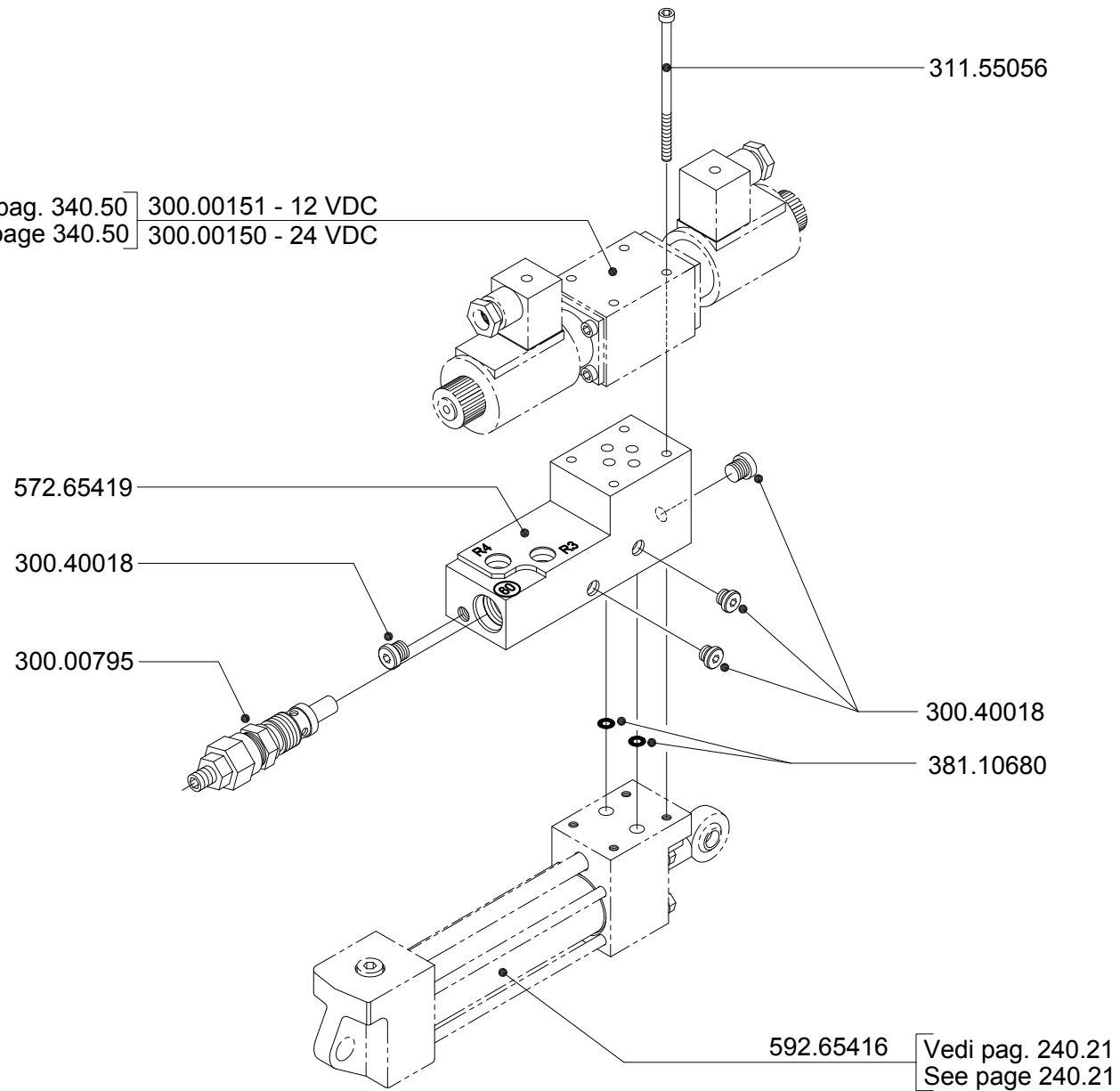


Vedi pag. 340.47 500.00225 - 12 VDC
 See page 340.47 500.00228 - 24 VDC

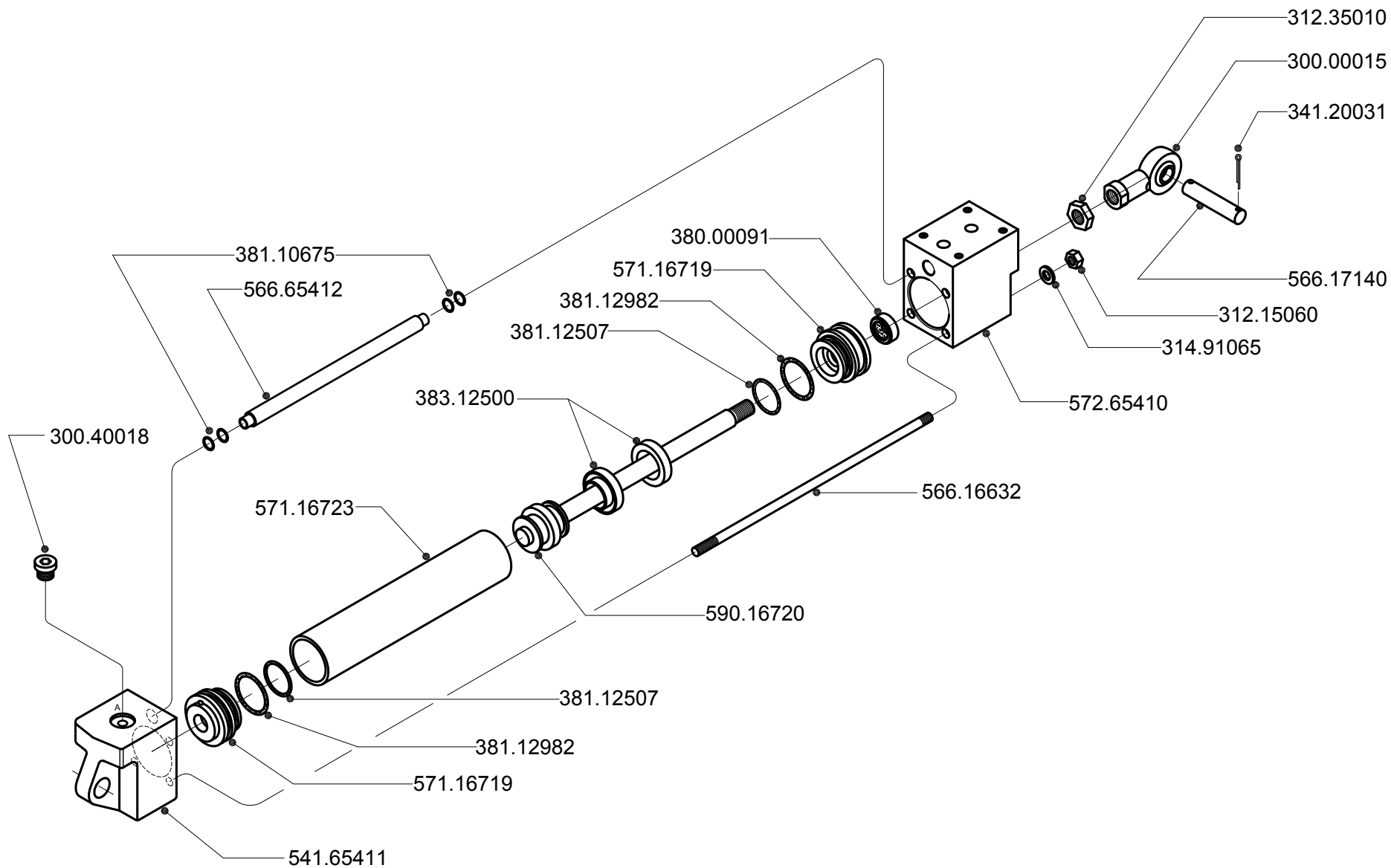


592.65409 Vedi pag. 240.20
 See page 240.20

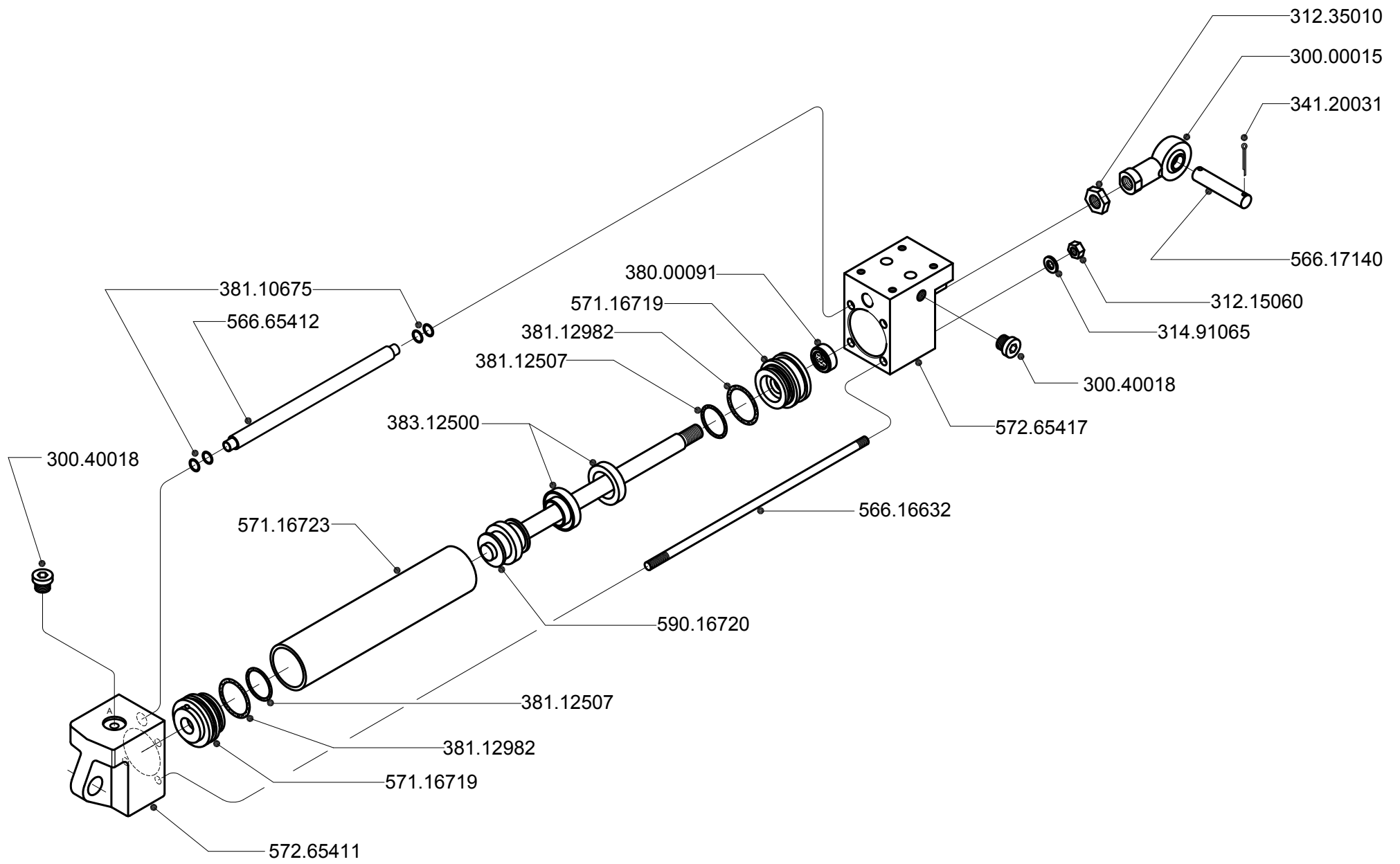
Vedi pag. 340.50 300.00151 - 12 VDC
 See page 340.50 300.00150 - 24 VDC



592.65418 - BASE COMPLETA PER CILINDRO DI RETRO COMANDO JOYSTICK
 592.65418 - BUCKET CYLINDER BASE ASSEMBLY FOR JOYSTICK CONTROL

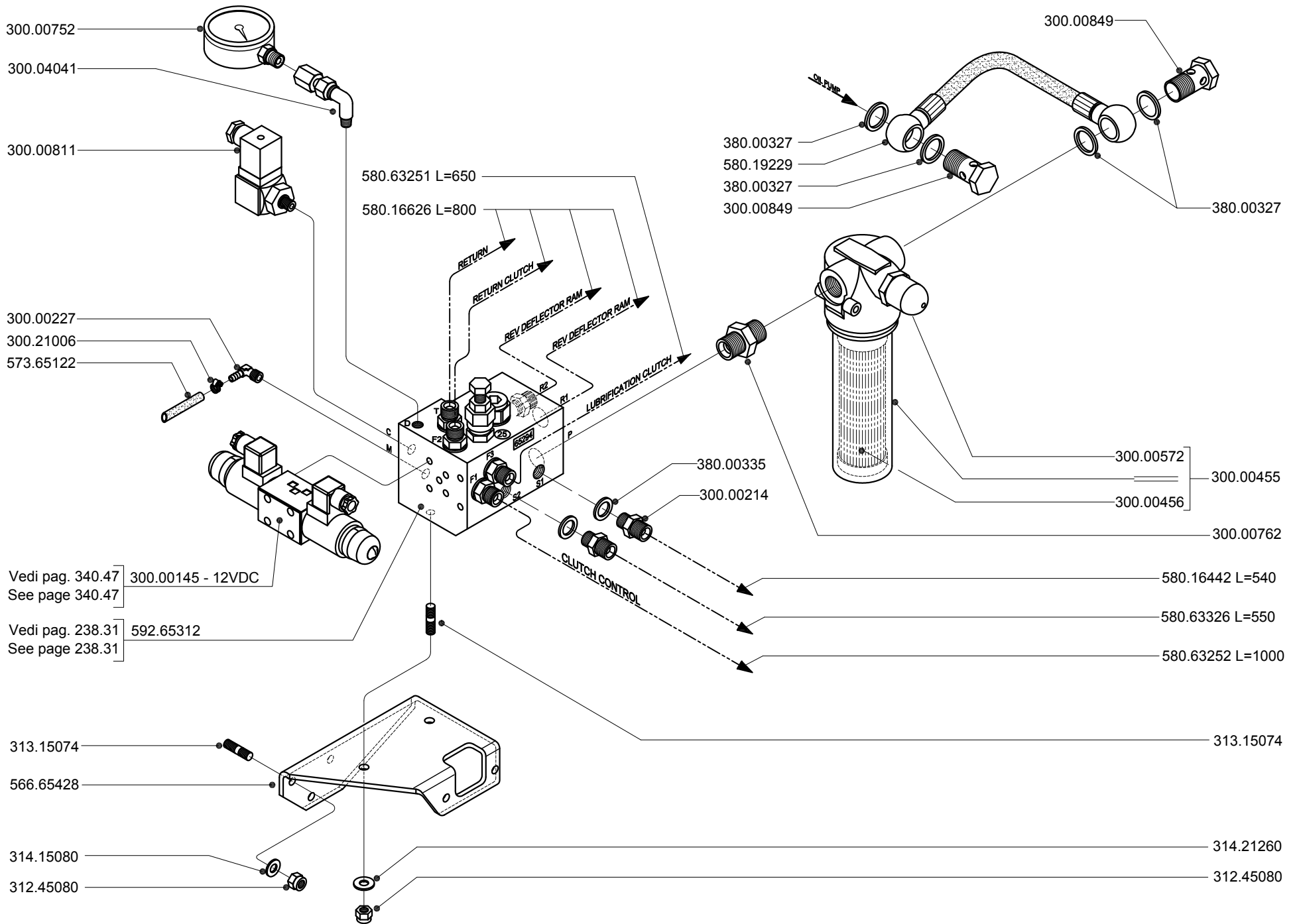


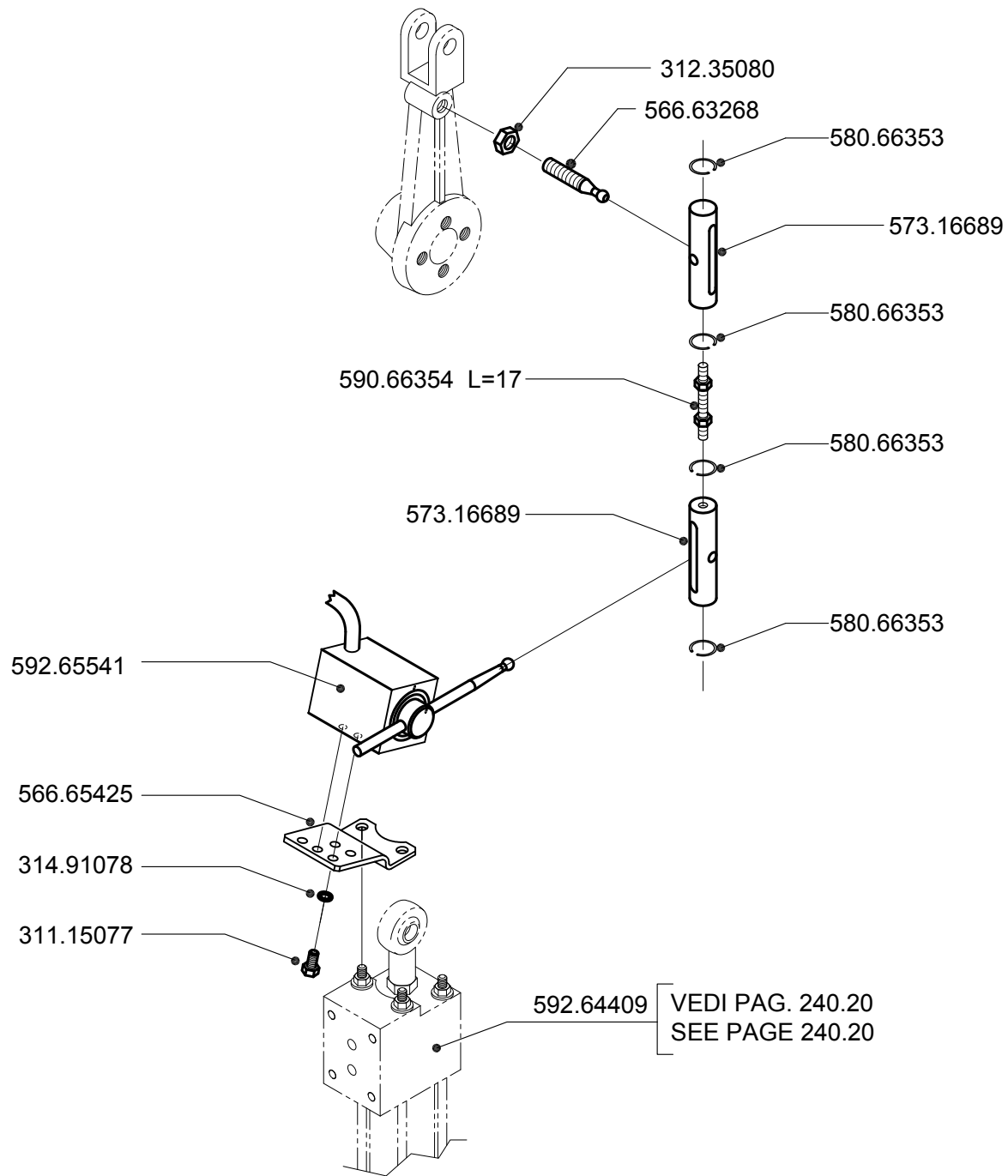
592.65409 - CILINDRO DI STERZO PER ACES
 592.65409 - ACES STEERING HYDRAULIC CYLINDER

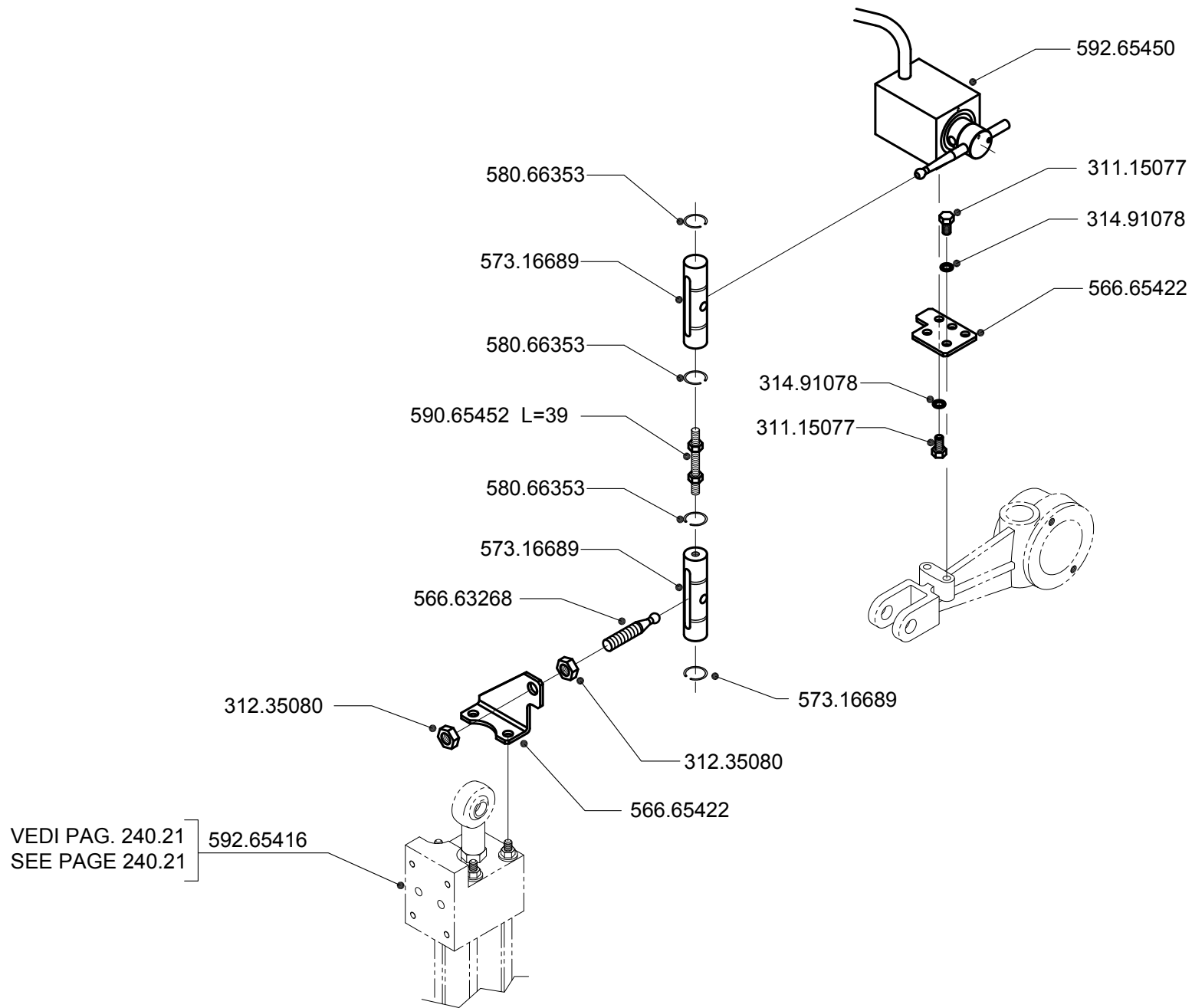


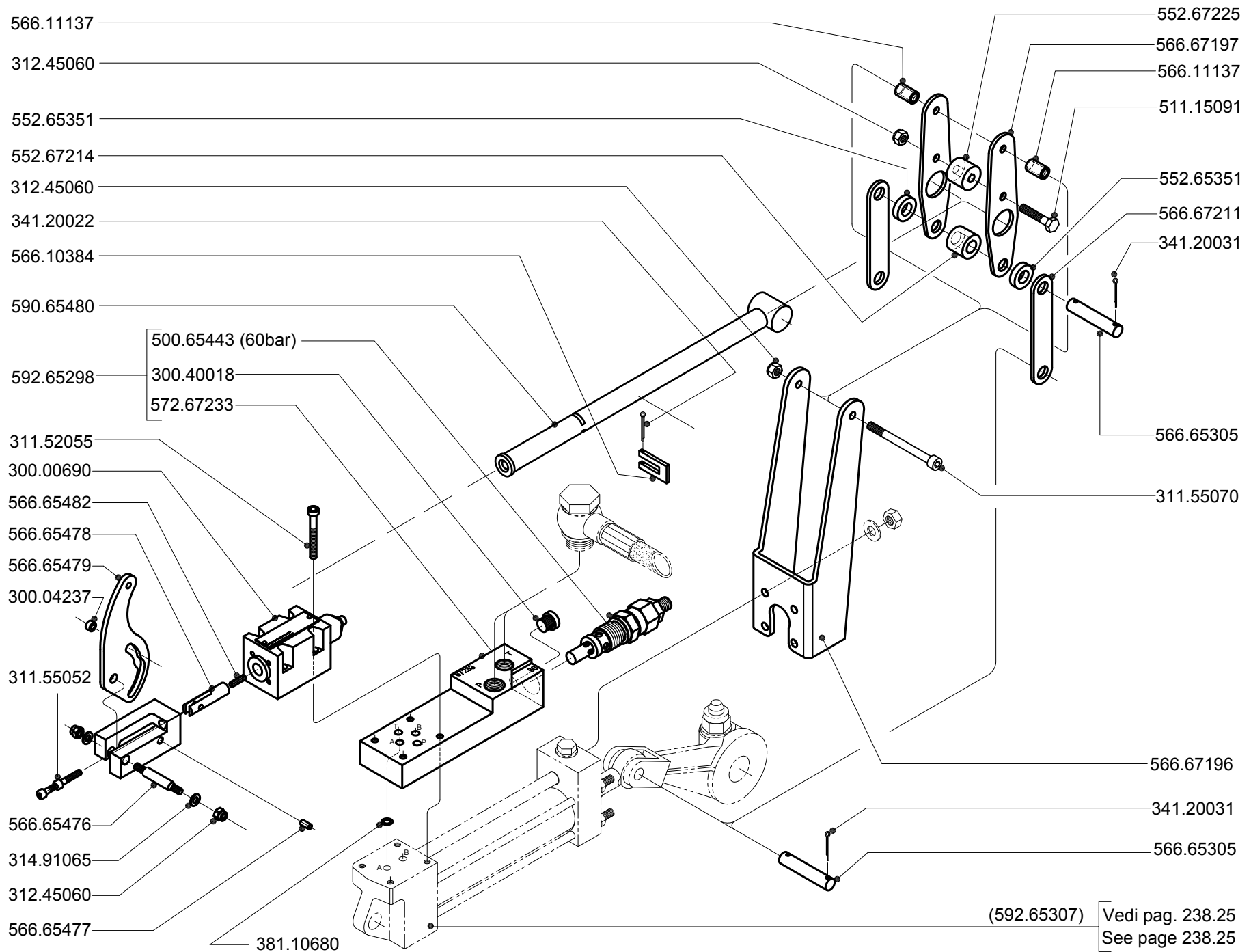
592.65416 - CILINDRO DI RETROMARCIA PER ACES
 592.65416 - ACES ASTERN HYDRAULIC CYLINDER











Vedi pag. 340.47 } 500.00225 * - 12 Vdc
 See page 340.47 } 500.00228 * - 24 Vdc

300.00570 * - 12 Vdc
 300.00571 * - 24 Vdc

500.00571

Vedi pag. 240.20 } 592.65409 *
 See page 240.20 }

311.55069

300.40018

572.67235

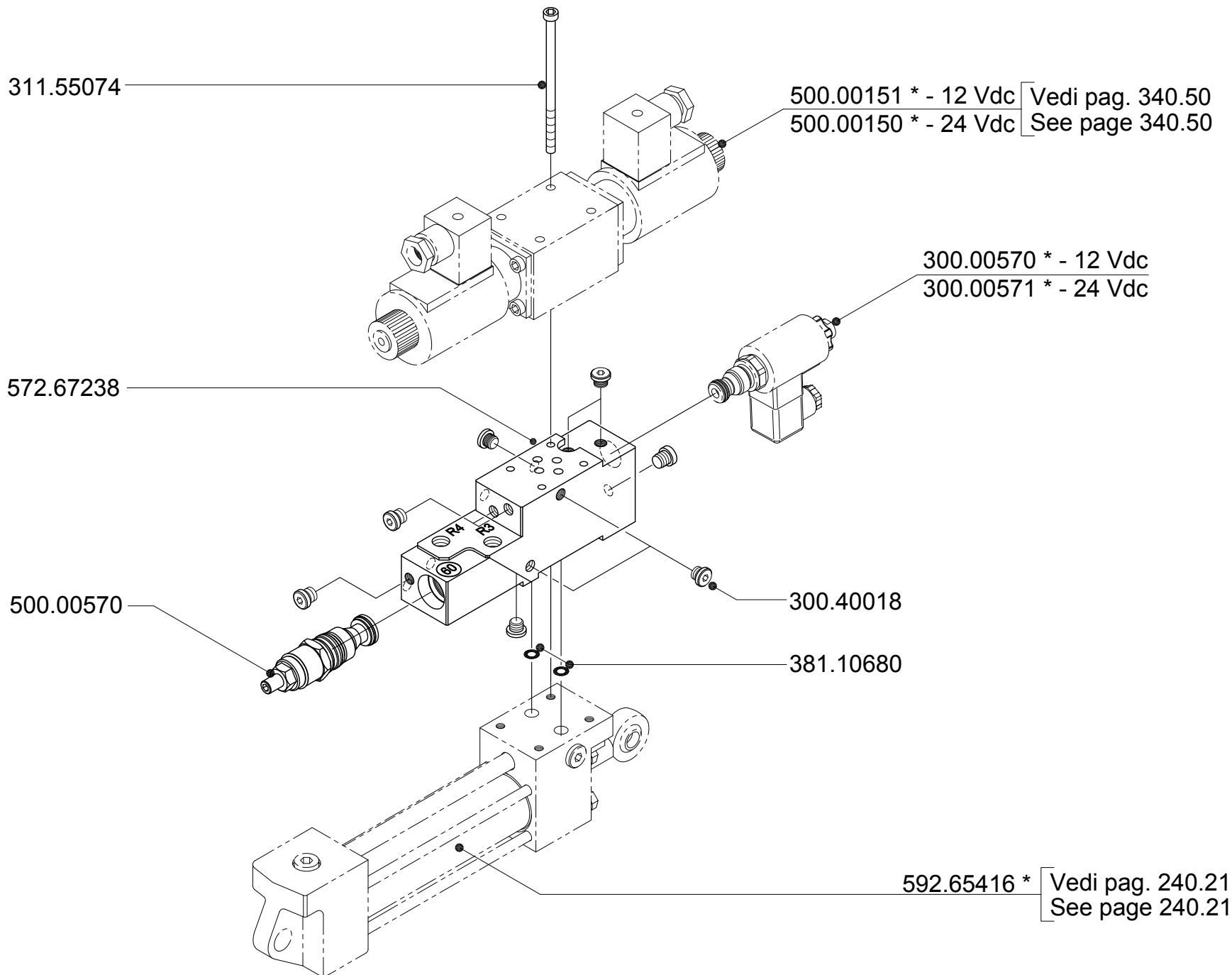
381.10680

ATTENTION! : ITEM CODES MARKED WITH THE "*" MUST BE ORDERER SEPARATELY

592.65447 - BASE COMPLETA PER CILINDRO DI STERZO A.C.E.S.

592.65447 - STEERING CYLINDER HYDRAULIC BASE ASSEMBLY FOR A.C.E.S. CONTROL

240.57/00

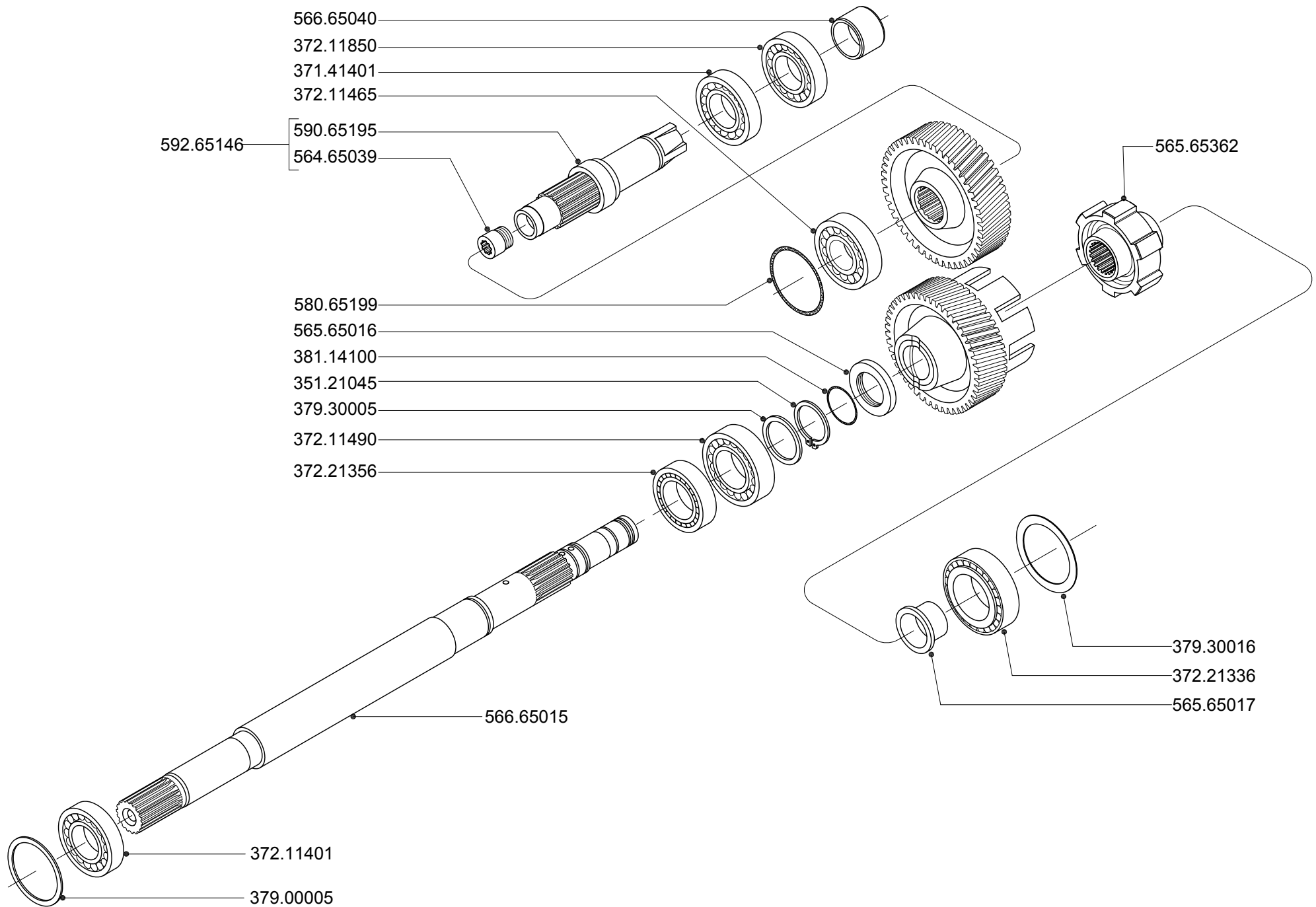


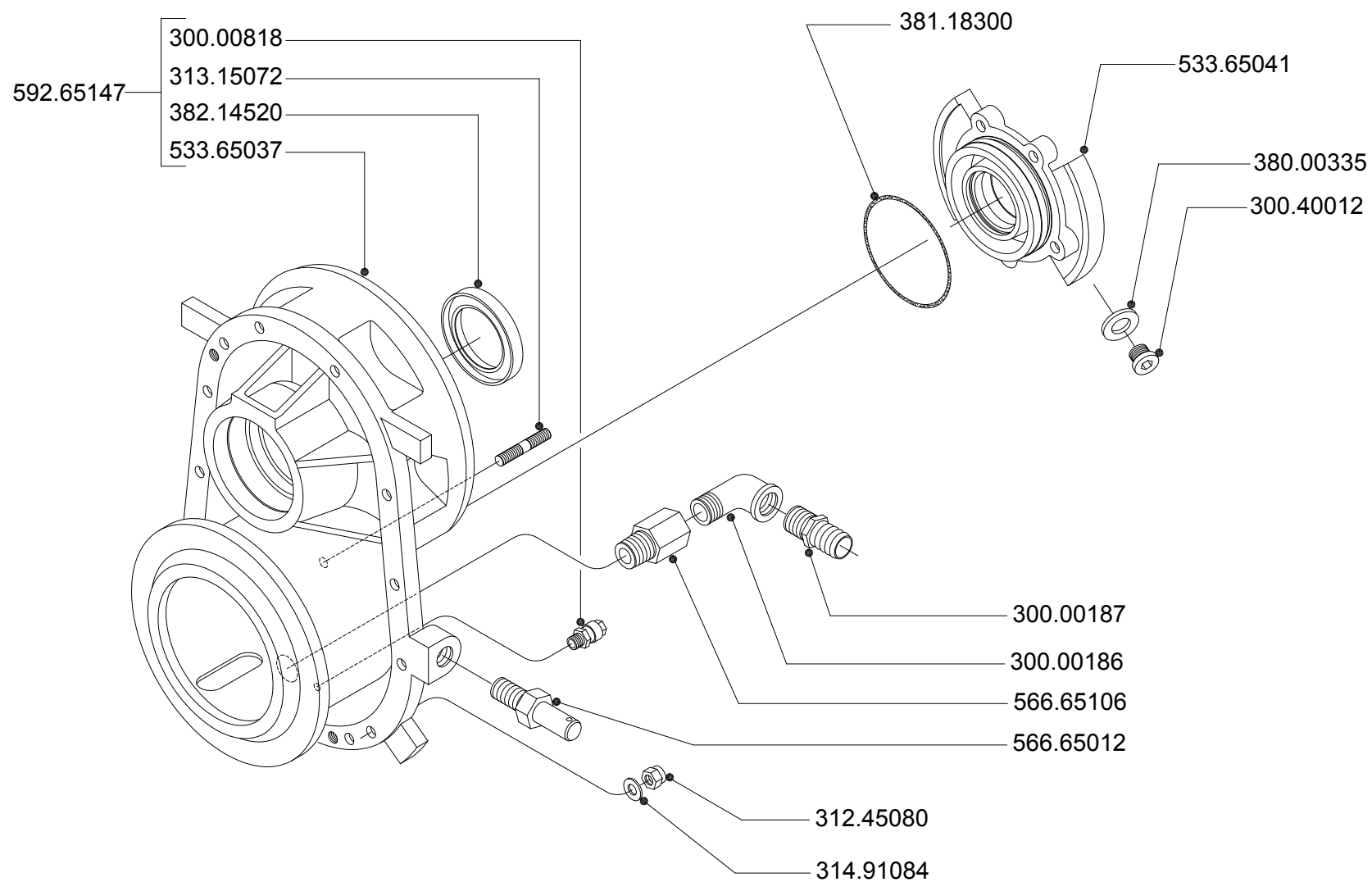
ATTENTION! : ITEM CODES MARKED WITH THE "*" MUST BE ORDERER SEPARATELY

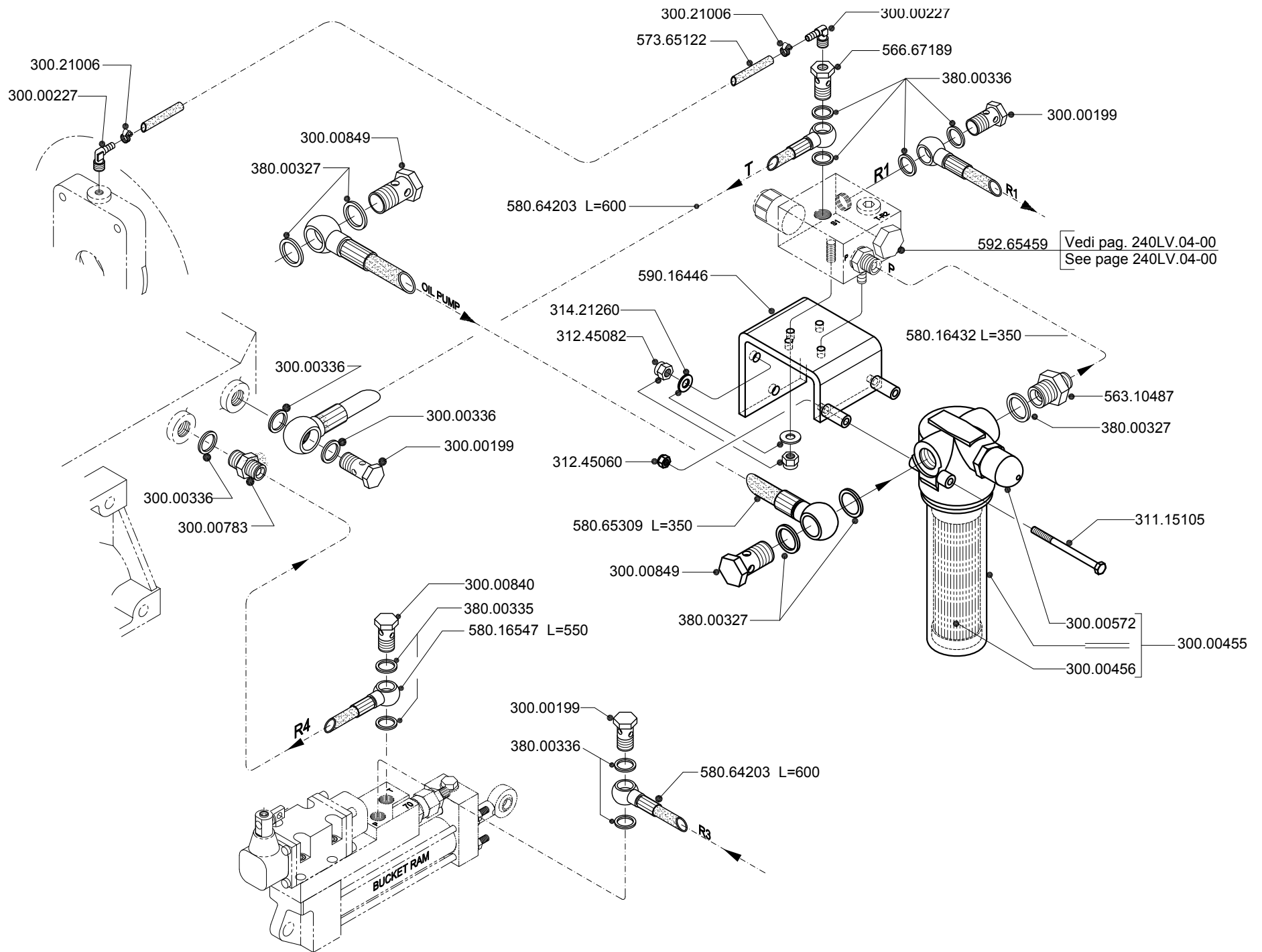
592.65448 - BASE COMPLETA PER CILINDRO DI RETRO A.C.E.S.

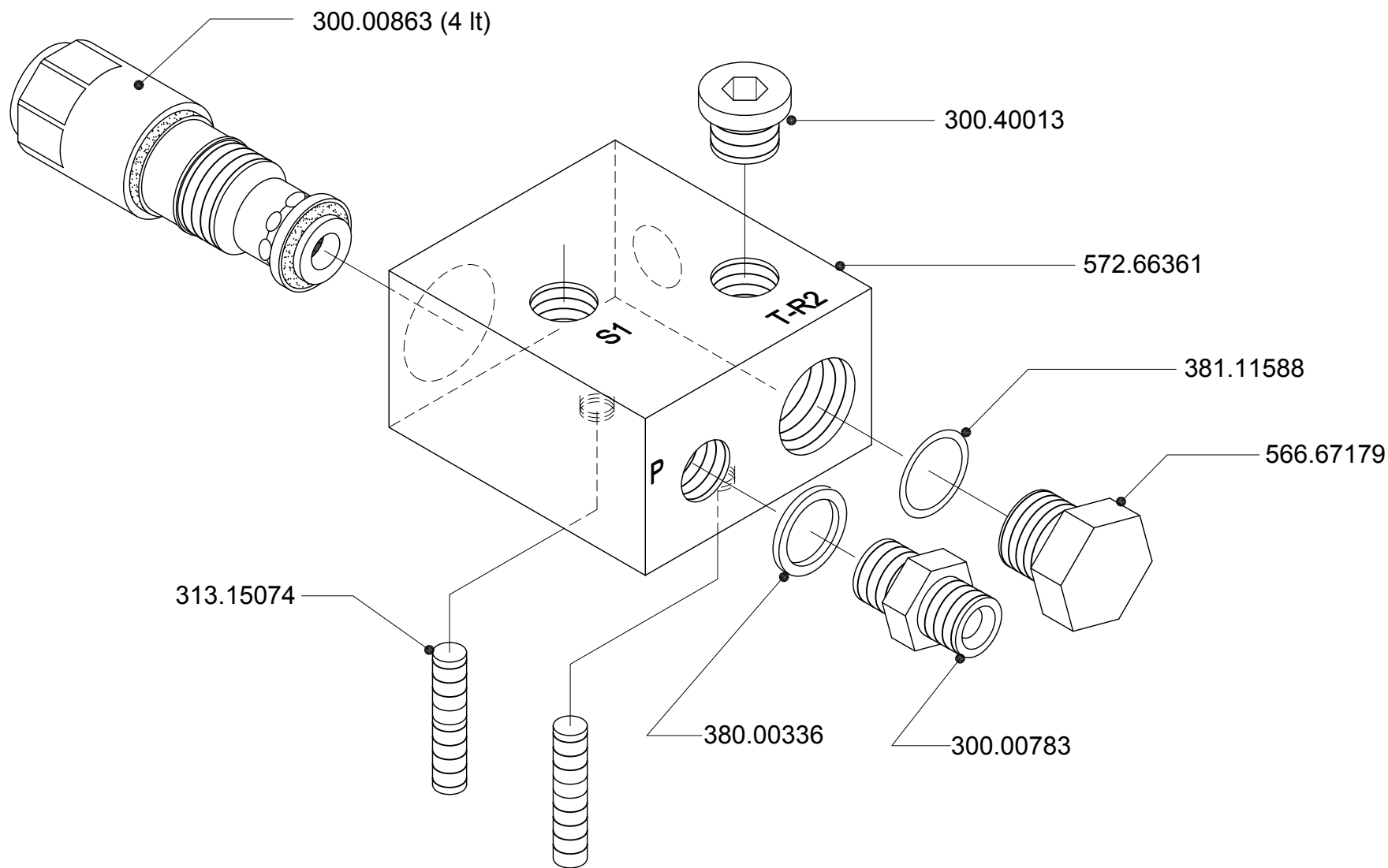
592.65448 - BUCKET BASE ASSEMBLY CYLINDER FOR A.C.E.S. CONTROL

240.58/00









This page is intentionally left blank

Castoldi S.r.l. withhold the right to introduce, at anytime and without previous notice, such modifications of components and accessories as might be deemed necessary for technical or commercial reasons, without any obligation to bring up-to-date this leaflet

La Castoldi S.r.l. si riserva il diritto di apportare, in qualsiasi momento e senza preavviso, eventuali modifiche di componenti ed accessori che ritiene necessarie per esigenze tecniche o commerciali, senza ritenersi impegnata ad aggiornare questa pubblicazione



CASTOLDI S.r.l.
Strada Provinciale 114 n.10 - 20080 ALBAIRATE (MI) - Italia
tel. +39 02 9401881 - fax +39 02 94018850
info@castoldijet.it