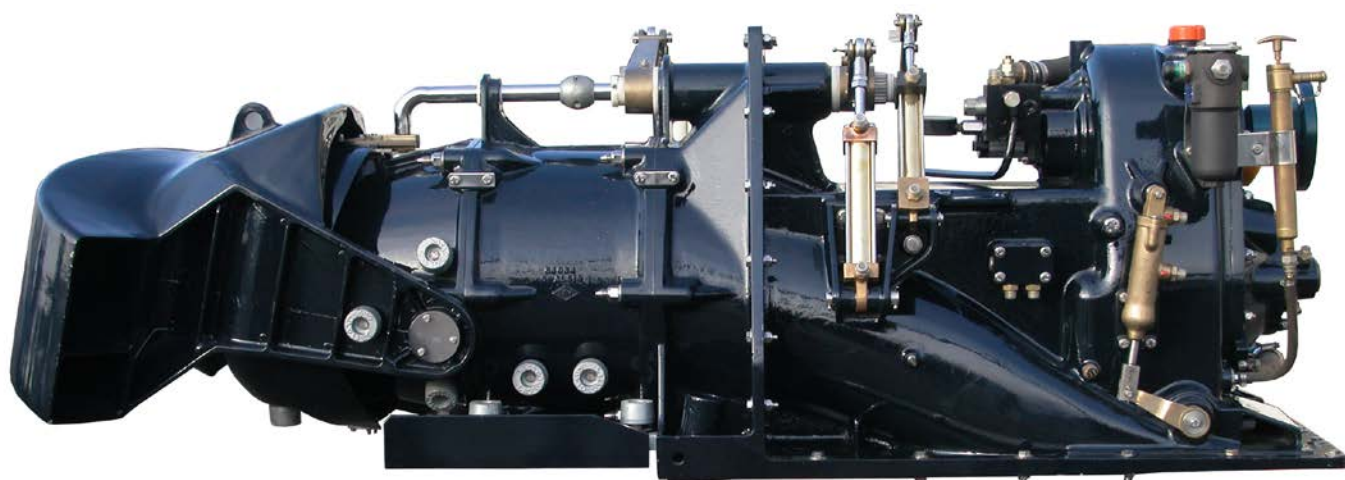




CASTOLDI



**TURBODRIVE
400 H.C.**

Spare parts

Versions	Description	Date	Serial Number	
			From	To
901.64930	Emission: M. Dell'Acqua	18/05/2009	B14306D	B14612D
901.64931	Modified page 20.14	10/03/2010		
901.64932	Modified pages 20.25 – 20.26 – 20.27 – 20.28	26/11/2010		
901.64933	Added pages 400.02 and 64.01	10/12/2010		
901.64934	Modified page 20.13/01 – Added page 400-13/00	18/01/2011	B14706D	B15911D
901.64935	Added pages 490.36 – 490.37 – 490.38 – 490.39	11/03/2011		
901.64936	Deleted page 20.07. Added page 400.07/01	09/11/2011	B16004D	B17803S
901.64937	General revision	06/05/2013	B17904D	C20809DK
901.64938	Modified pages 400.08 and 400.15. Added page 400.22	23/10/2013	C20910DK	C21911SK
901.64939	Modified pages:400.20,400.25,400.26,400.27,400.28.,400.36, 400.37,400.38,400.39	27/01/2014	C22001D D24407DK	C24304D D24707DK
901.64940	Added pages 400.02/01, 400.03/01, 400.04/01 and 400.18/01	06/08/2014	C24810DK D28101D	C29005DK D28201D
901.64941	Deleted page 490.32	03/09/2015	C29106DK	C29911S
901.64942	Modified pages:400.12, 400.20, 400.25, 400.26, 400.27, 400.28, 400.36, 400.37, 400.38, 400.39, 400.43, 400.44, 400.45, 400.46, 400.50, 400.53, 340.47, 340.48, 340.52 Added page: 400.51	15/09/2015		
901.64943	Modified pages 400.18 Rev.00 , 400.18 Rev.01, 400.14, 340.29, 340.34 and 340.52. Added pages: 400.56, 400.57, 400.58, 400.59.	11/11/2015		
901.64944	Modified page 400.30. Added page 400.20 Rev.3	28/01/2016	C30012DK	C30712DK
901.64945	Modified pages 340.47, 340.48, 340.49,340.51,340.52 and 400.59	13/04/2016	C30804DK	C32305DK
901.64946	Modified page 400.07	25/07/2016	C32407DK	C34905S
901.64947	Modified pages 400.42, 400.56 and 61.04	13/09/2017	D35009DK	D35505D
901.64948	Deleted pages 400.02,400.03,400.04 and 400.18 Modified pages 400.03 and 400.56	06/11/2017		
901.64949	Modified page 400.20	23/04/2018		
901.64950	Modified pages 400.03 and 400.10	19/07/2018	D35609D	D36710DK
901.64951	Modified pages 400.13 and 400.19	07/03/2019		
901.64952	Added. page 400.20, Deleted page 400.20	25/09/2019		
901.64953	Added page 400.24, modified page 400.24	15/01/2020		
901.64954	Deleted page 400.47, Modified page 400.11	06/02/2020	D36802D	D37503SK
901.64955	Added pages 400.52 and 400.60 Modified page 400.51	21/04/2021		
901.64956	Modified page 400.56	25/05/2021		
901.64957	Modified pages 400.18, 400.19, 400.20, 400.24, 400.27, 400.28, 400.38, 400.39, 400.43, 400.44, 400.55, 400.58, 400.59 and 340.49	16/06/2021	D37607D	D41206SK
901.64958	Added pages 400.61, 400.62, 400.63 and 400.64	05/10/2021	E41311D	
901.64959	Added pages 400.65 and 400.66 Modified pages 400.24, 400.51, 400.52, 400.61, 400.62, 400.63 and 400.64	18/05/2023		
901.64960	Modified pages 400.02, 400.04, 400.05, 400.08 and 400.22	26/07/2023		

Pages	rev.00	rev.01	rev.02	rev.03	rev.04	rev.05	rev.06	rev.07	rev.08	rev.09
400.02			X							
400.03				X						
400.04			X							
400.05		X								
400.06	X									
400.07			X							
400.08			X							
400.09	X									
400.10		X								
400.11		X								
400.12		X								
400.13		X								
400.14		X								
400.15		X								
400.16	X									
400.17	X									
400.18		X								
400.19		X								
400.20						X				
400.21	X									
400.22		X								
400.24			X							
400.25			X							
400.26			X							
400.27				X						
400.28				X						
400.29	X									
400.30		X								
400.31	X									
400.32	X									
400.33	X									
400.34	X									
400.35	X									
400.36			X							
400.37			X							
400.38				X						
400.39				X						
400.40	X									
400.41	X									
400.42		X								
400.43			X							
400.44			X							
400.45		X								
400.46		X								
400.48	X									
400.49	X									
400.50		X								
400.51			X							
400.52		X								
400.53		X								

Pages	rev.00	rev.01	rev.02	rev.03	rev.04	rev.05	rev.06	rev.07	rev.08	rev.09
400.54	X									
400.55		X								
400.56				X						
400.57	X									
400.58		X								
400.59			X							
400.60	X									
400.61		X								
400.62		X								
400.63		X								
400.64		X								
400.65		X								
400.66		X								
340.29			X							
340.34			X							
340.47					X					
340.48					X					
340.49			X							
340.50			X							
340.52					X					
490HCT.19	X									
490HCT.49	X									
490HCT.50	X									
490HCT.58	X									

592.04010 – TD 400 H.C. SEALS KIT

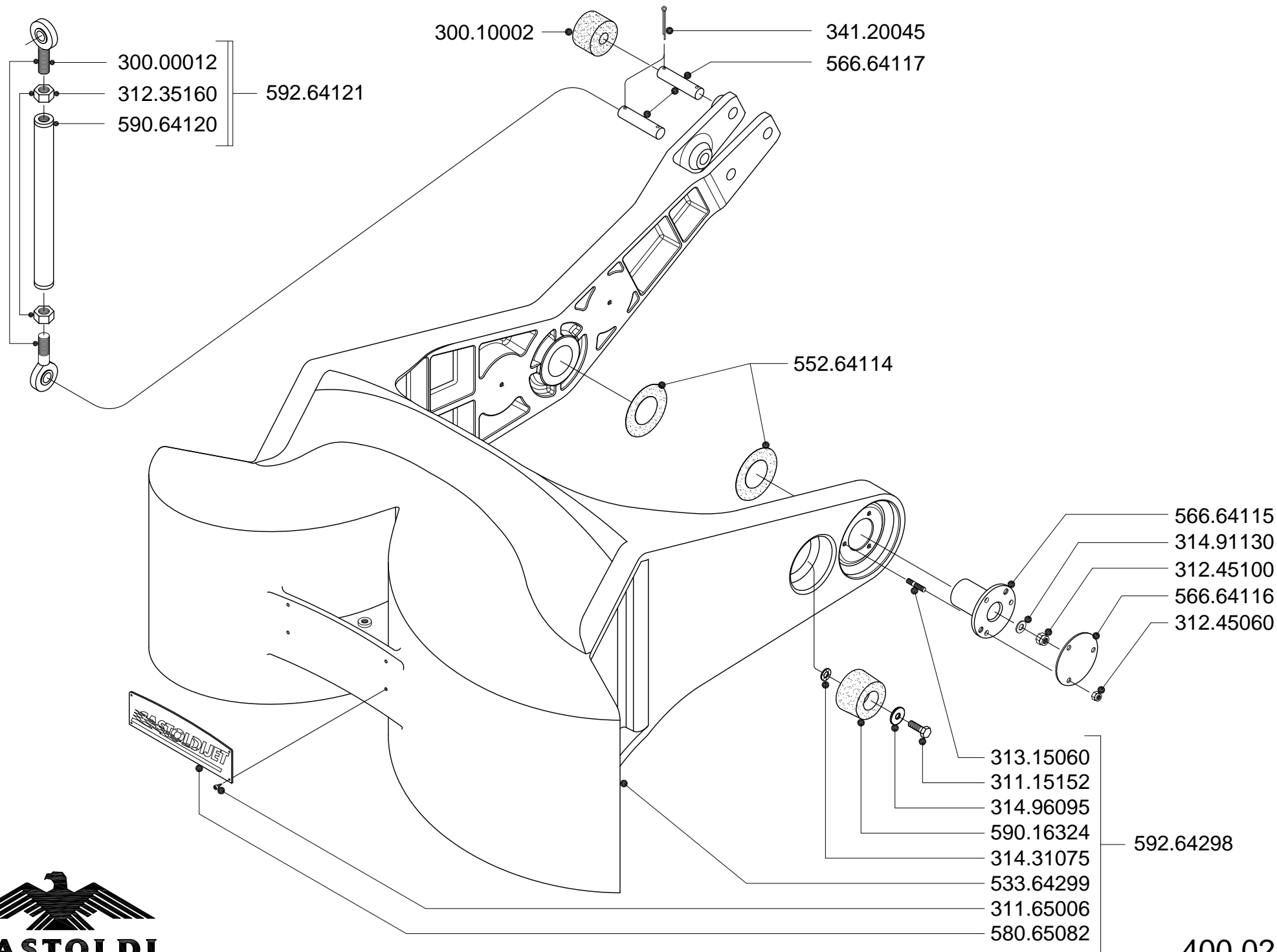
<i>Code</i>	<i>Description</i>	<i>Q.ty</i>	<i>See page</i>
381.20000	O-RING OR 61700	2	400.05
381.11872	O-RING OR 3075	2	400.15
381.16340	O-RING OR 3250	1	400.08
381.12580	O-RING OR 134	2	400.09
381.13134	O-RING OR 4125	2	400.09
381.15001	O-RING OR 2200	2	400.11 – 400.13
381.19921	O-RING OR 4525	1	400.12 – 400.14
381.15100	O-RING OR 3206	2	400.12 – 400.14
382.15660	LIP SEAL	1	400.12 – 400.14
381.19940	O-RING OR 8537	1	400.15
381.12817	O-RING OR 4112	1	400.18 - 490.17
381.14472	O-RING OR 4187	1	400.18
381.13461	O-RING OR 2137	1	400.18
381.19870	O-RING OR 3450	1	400.07
381.10000	O-RING OR 189	1	400.42
381.10700	O-RING OR 3030	1	400.13
381.12982	O-RING OR 3118	1	400.18

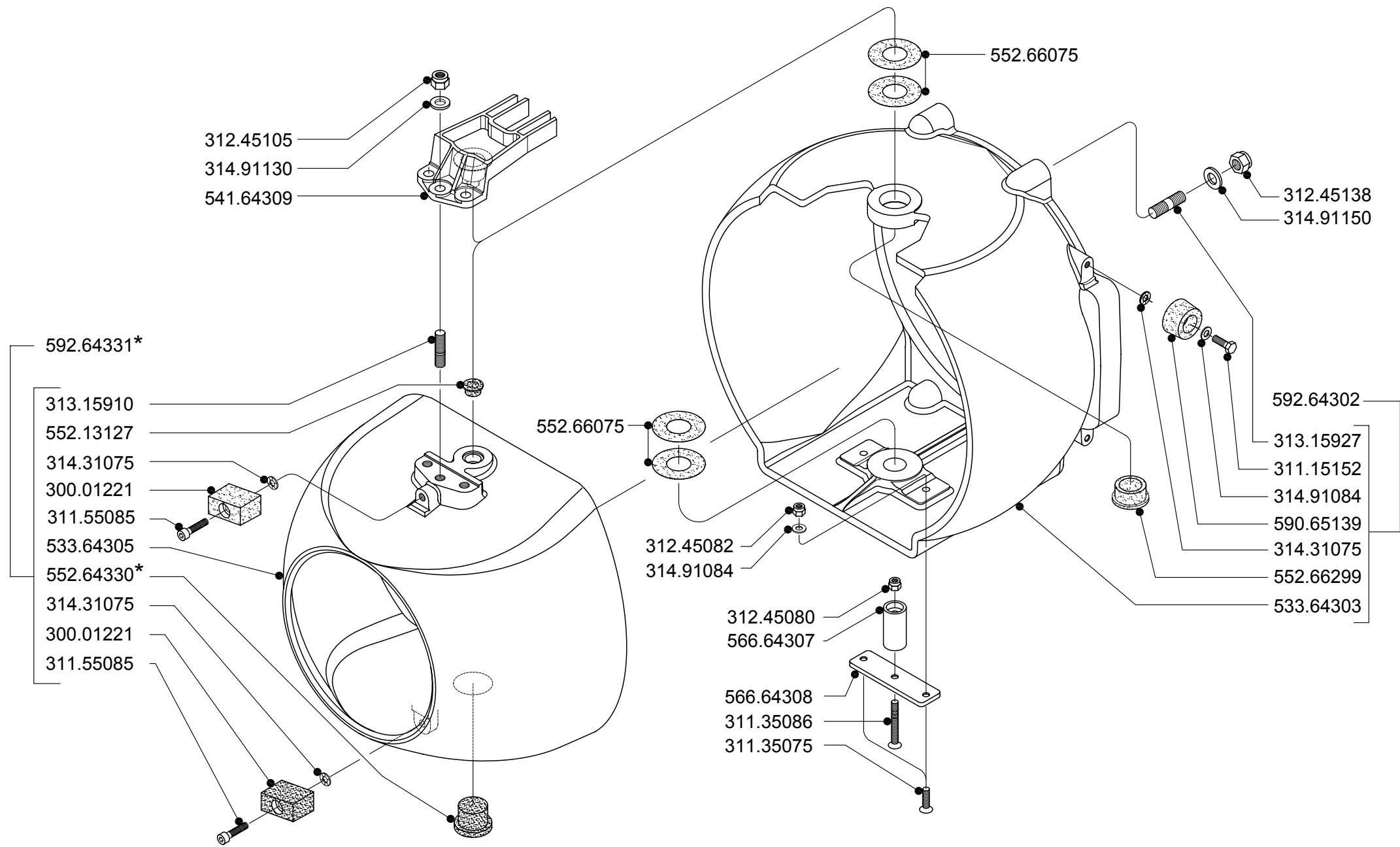
La CASTOLDI S.r.l. si riserva il diritto di apportare in qualsiasi momento e senza preavviso eventuali modifiche di componenti ed accessori che ritiene necessarie per esigenza tecniche o commerciali, senza ritenersi impegnata ad aggiornare questa pubblicazione.

CASTOLDI S.r.l. withhold the right to introduce, at any time and without previous notice, such modifications of components and accessories as might be deemed necessary for technical or commercial reasons, without any obligation to bring up-to-date this manual.

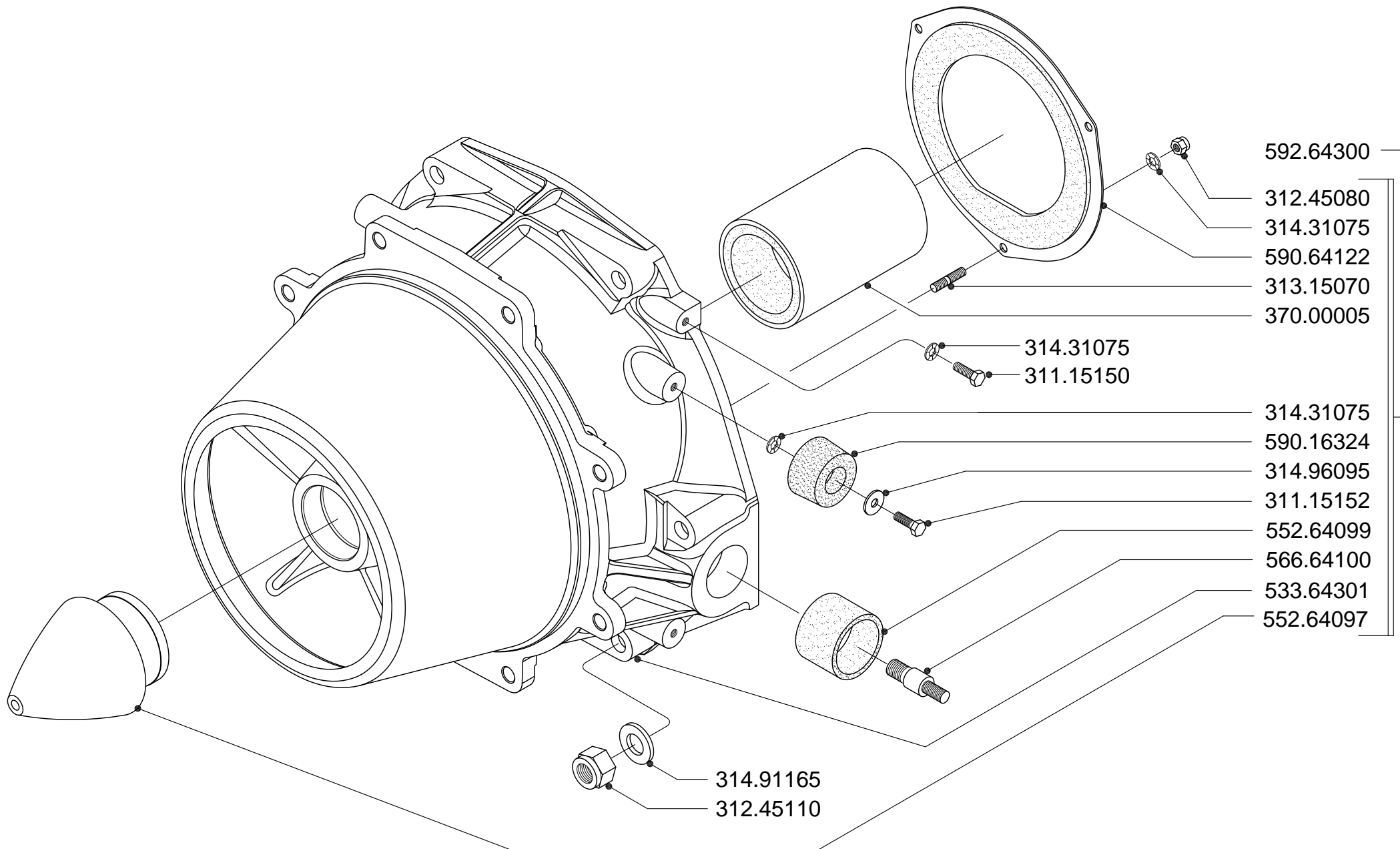
ATTENZIONE! Prima di ordinare pezzi di ricambio rilevare il numero di matricola del motore o del jet e consultare il catalogo tenendo presente che le modifiche sono introdotte nelle tavole d'aggiornamento con il numero di matricola della prima macchina che porta la modifica, se questa comporta l'impiego di pezzi non intercambiabili con quelli precedenti.

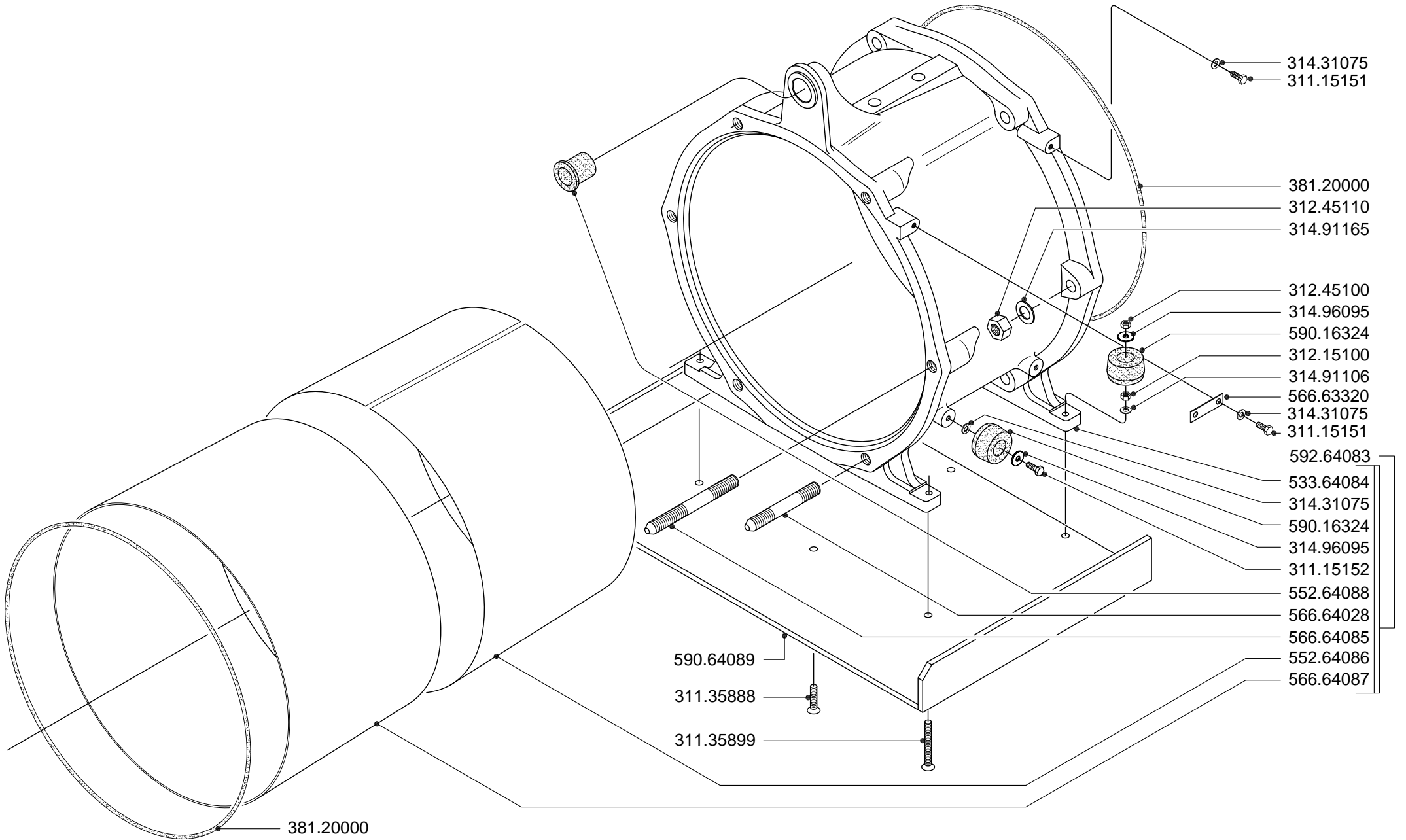
ATTENZION! *Before ordering spare, take the serial number of the engine, or of the jet, and look up the catalogue, keeping in mind that all variations are listed in the apposite tables that keep it up-to-date, with the serial number of the first piece of machinery to which the variation applies, if it involves the use of parts that are not interchangeable with the previous ones.*

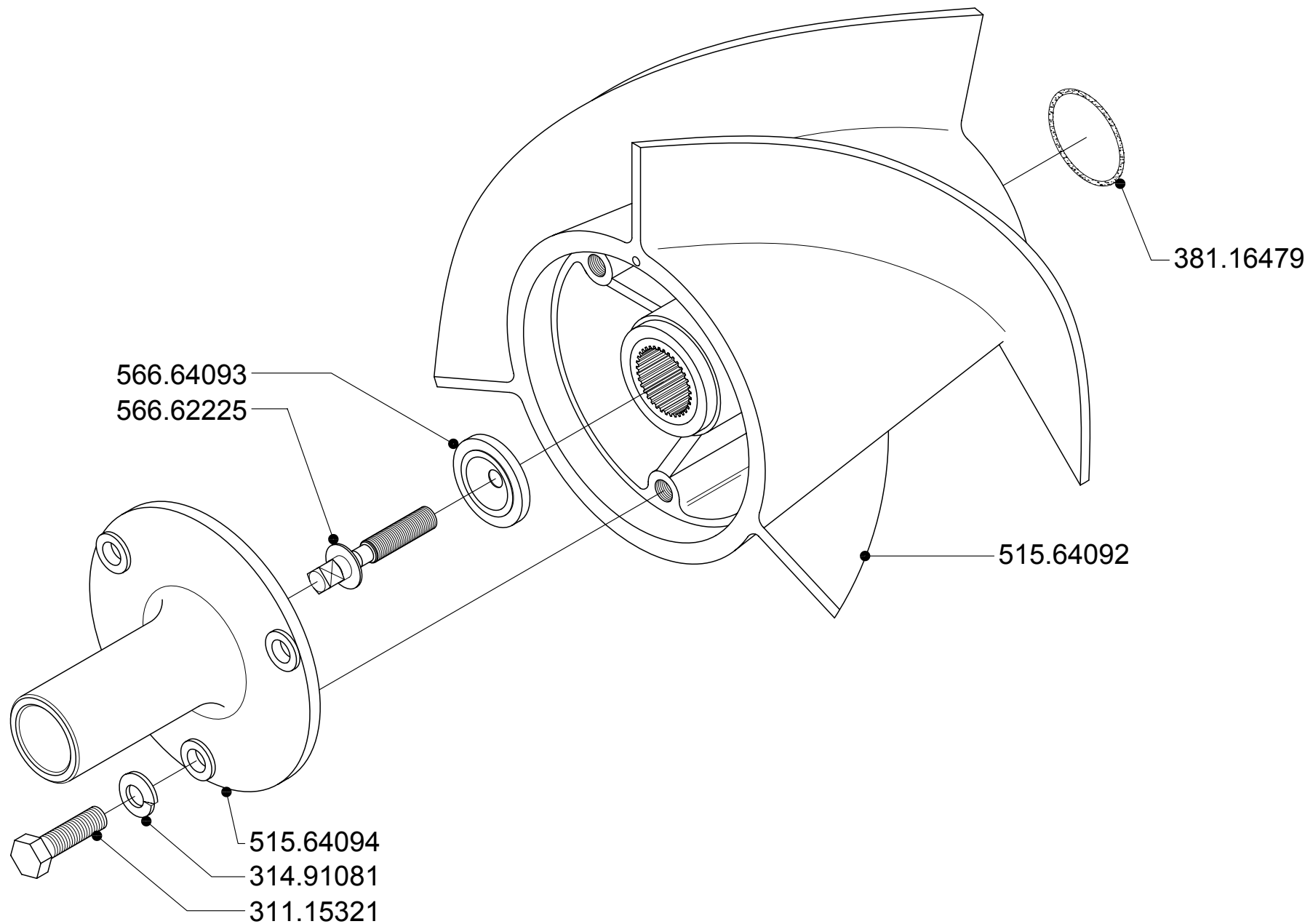




* = Particolare sostituito a partire dalla matricola D.350.09.D.K
 * = Particoular changed starting from s/n D.350.09.D.K



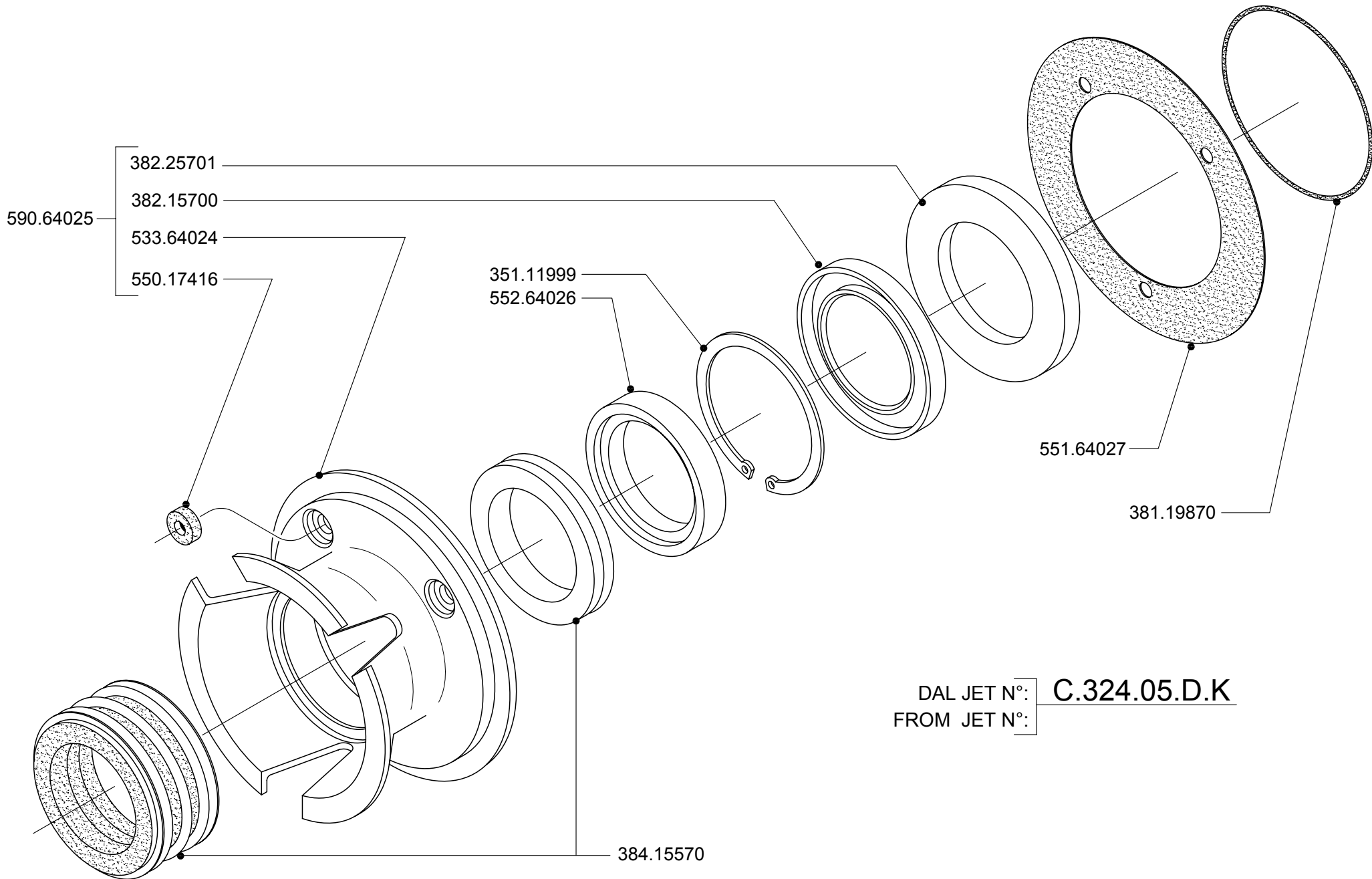




592.64095 - GIRANTE
592.64095 - IMPELLER

400.06/00



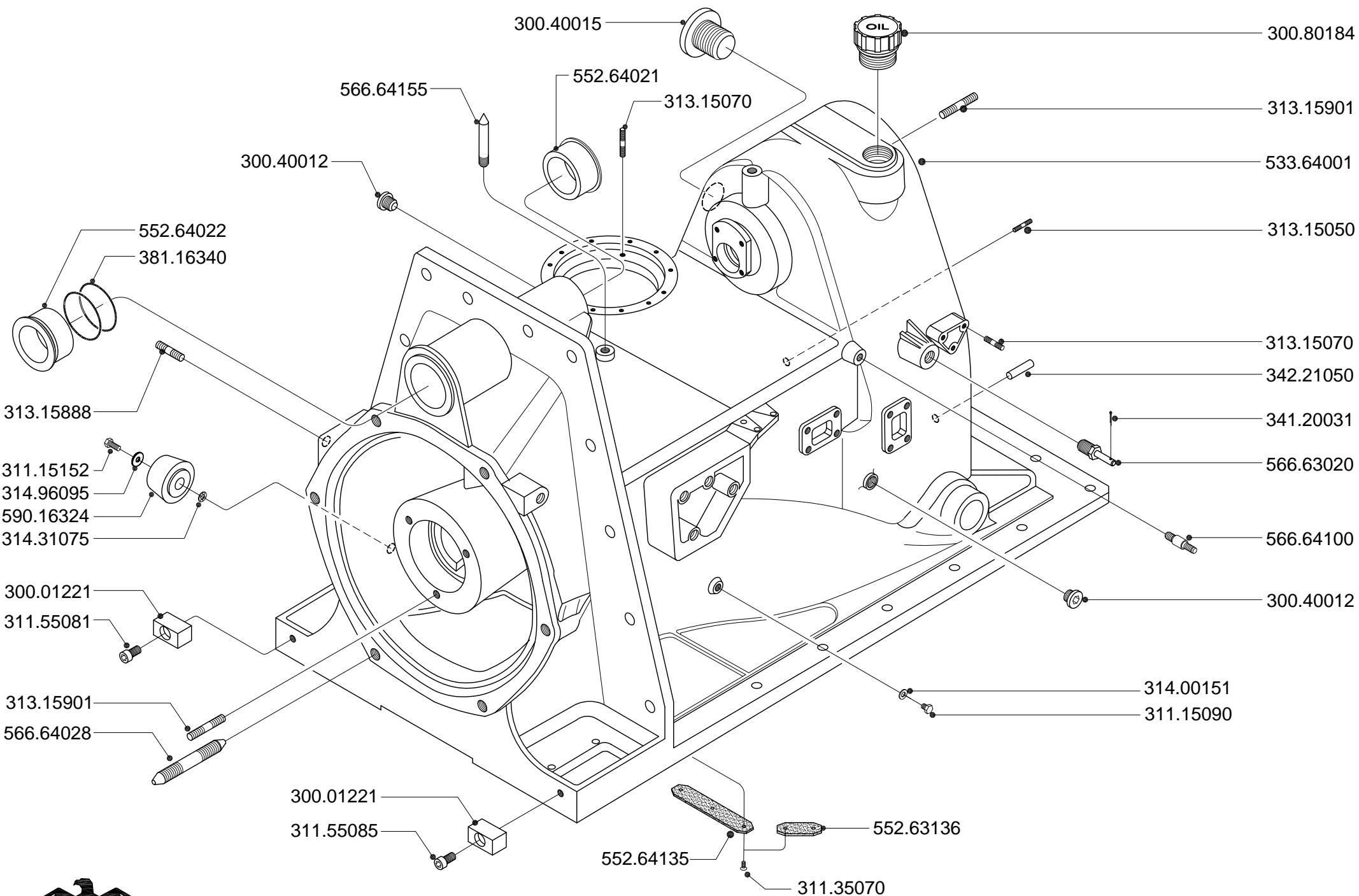


DAL JET N°: C.324.05.D.K
 FROM JET N°:



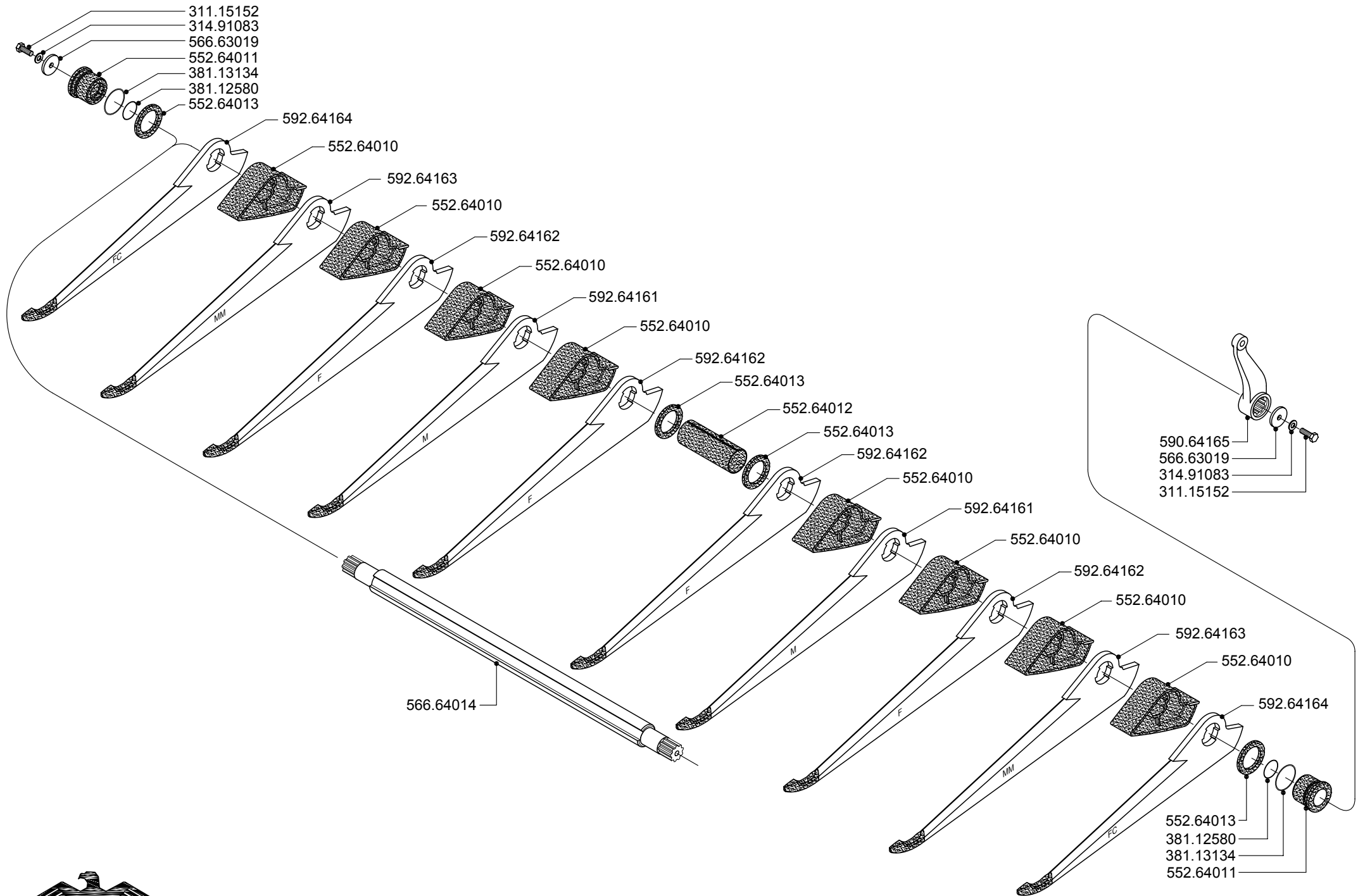
592.64023 - TENUTA PER ALBERO GIRANTE
 592.64023 - IMPELLER SHAFT SEAL

400.07/02



592.64030 - CORPO PROPULSORE COMPLETO
 592.64030 - COMPLETE JET UNIT CASING

400.08/02

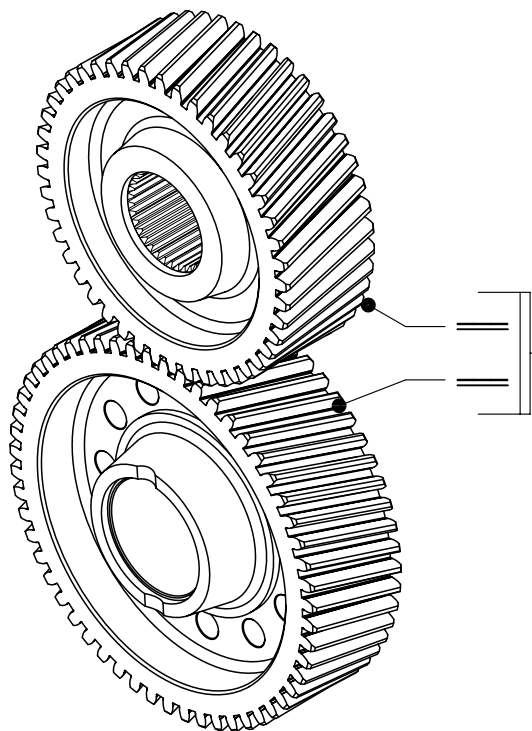


595.00405 - GRIGLIA MOBILE
 595.00405 - MOVABLE GRID

400.09/00

CODICE SET OF GEAR CODE NUMBER	RAPPORTO GEAR RATIO	CODICE SET OF GEAR CODE NUMBER
--------------------------------------	------------------------	--------------------------------------

592.64034	52-53	592.64265
592.64035	51-54	592.64266
592.64036	50-55	592.64267
592.64037	49-56	592.64268
592.64038	48-57	592.64269
592.64039	47-58	592.64270
592.64040	46-59	592.64271
592.64041	45-60	592.64272
592.64042	44-61	592.64273
592.64043	43-62	592.64274
592.64044	42-63	592.64275
592.64045	41-64	592.64276
592.64046	40-65	592.64277
592.64047	39-66	592.64278
592.64048	38-67	592.64279
592.64049	37-68	592.64280
592.64050	36-69	592.64281
592.64051	35-70	592.64282
592.64052	34-71	592.64283
592.64053	33-72	592.64284
592.64054	32-73	592.64285



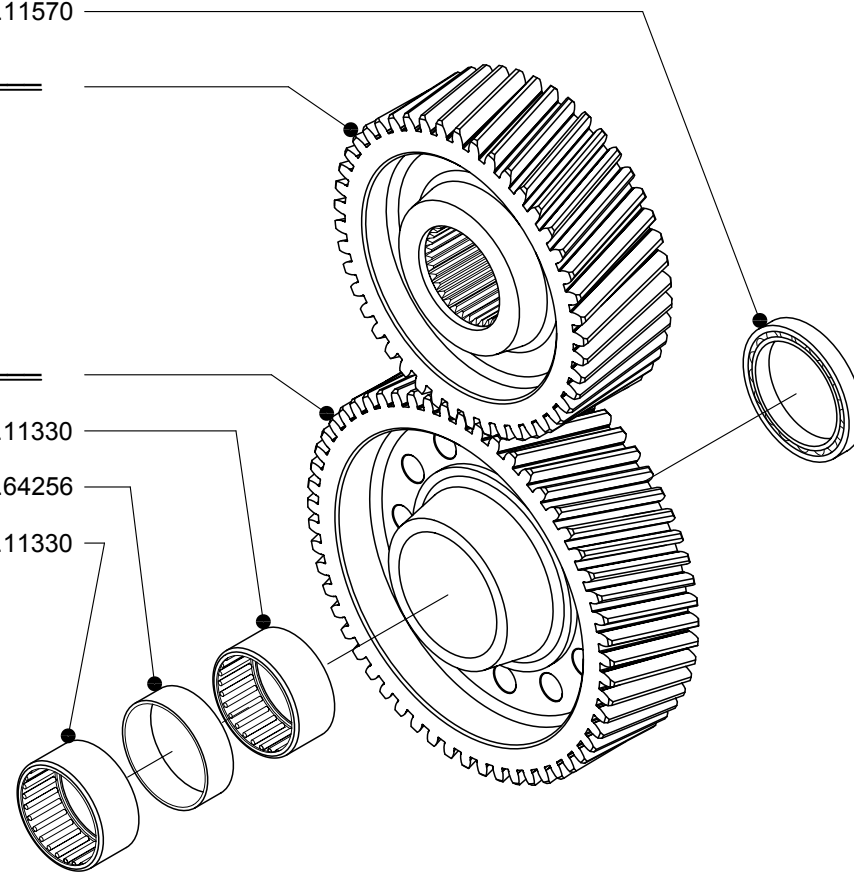
FINO AL JET N°: **B.186.04.D**
TO JET N°: **B.186.04.D**

371.11570

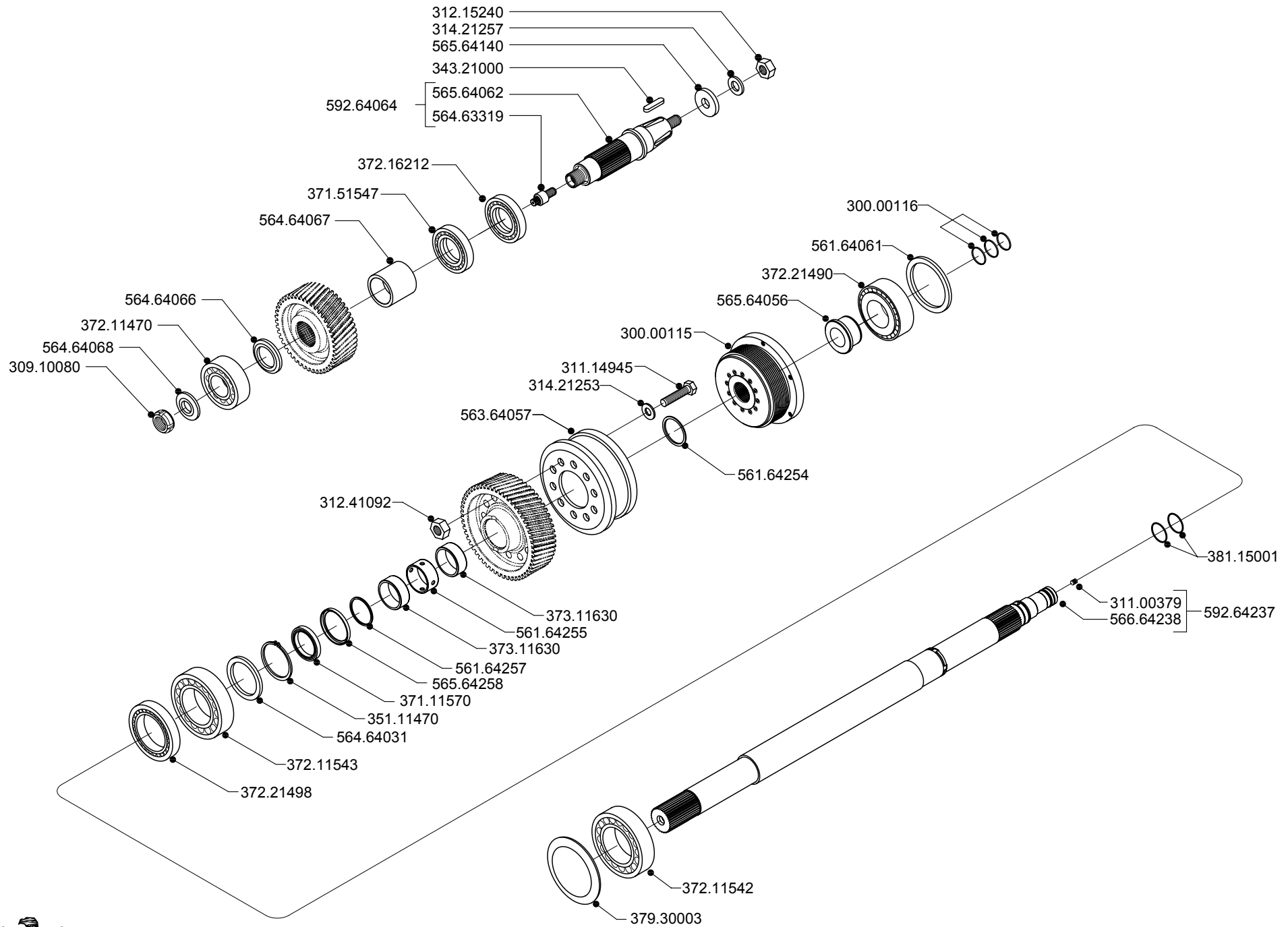
373.11330

561.64256

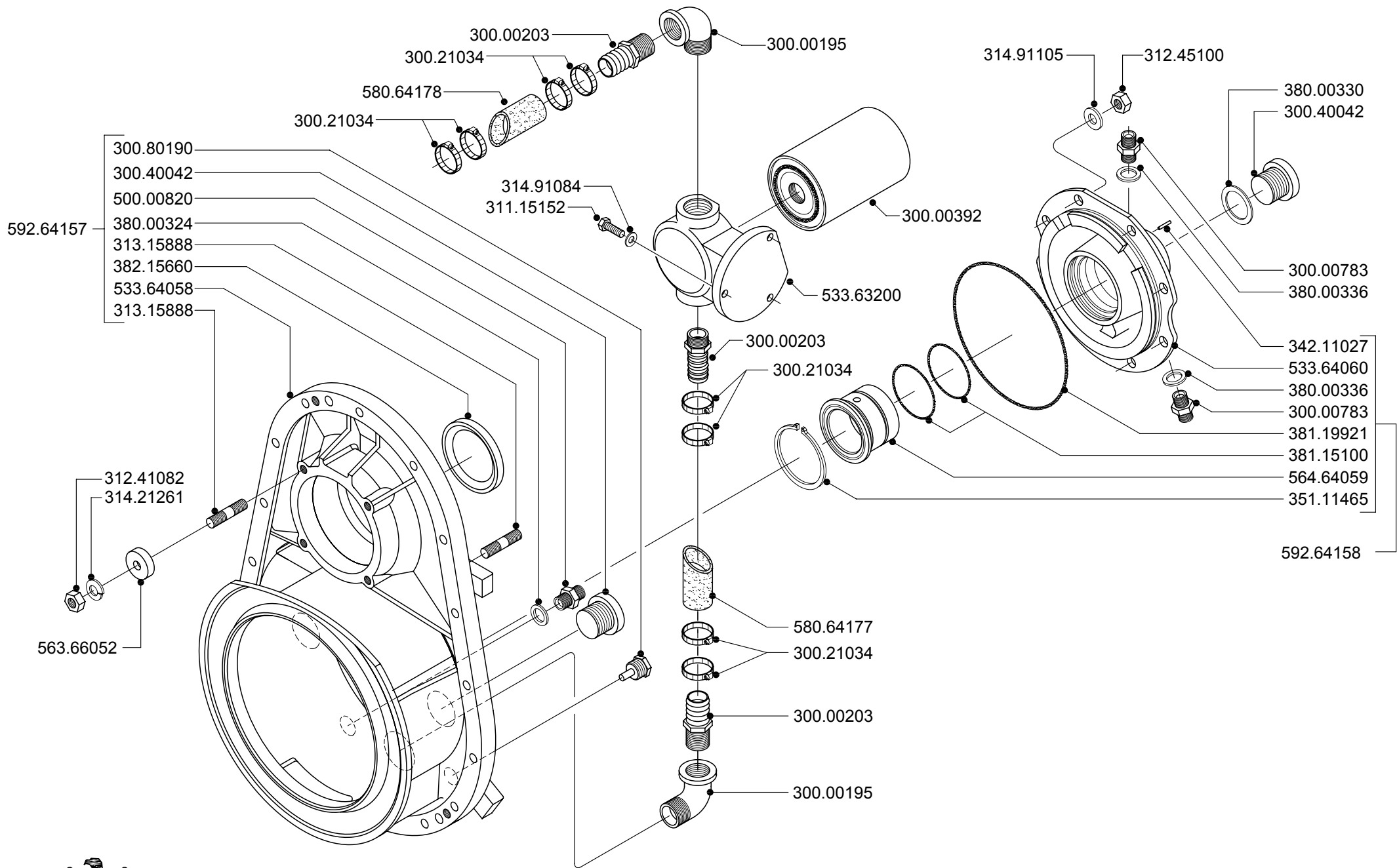
373.11330

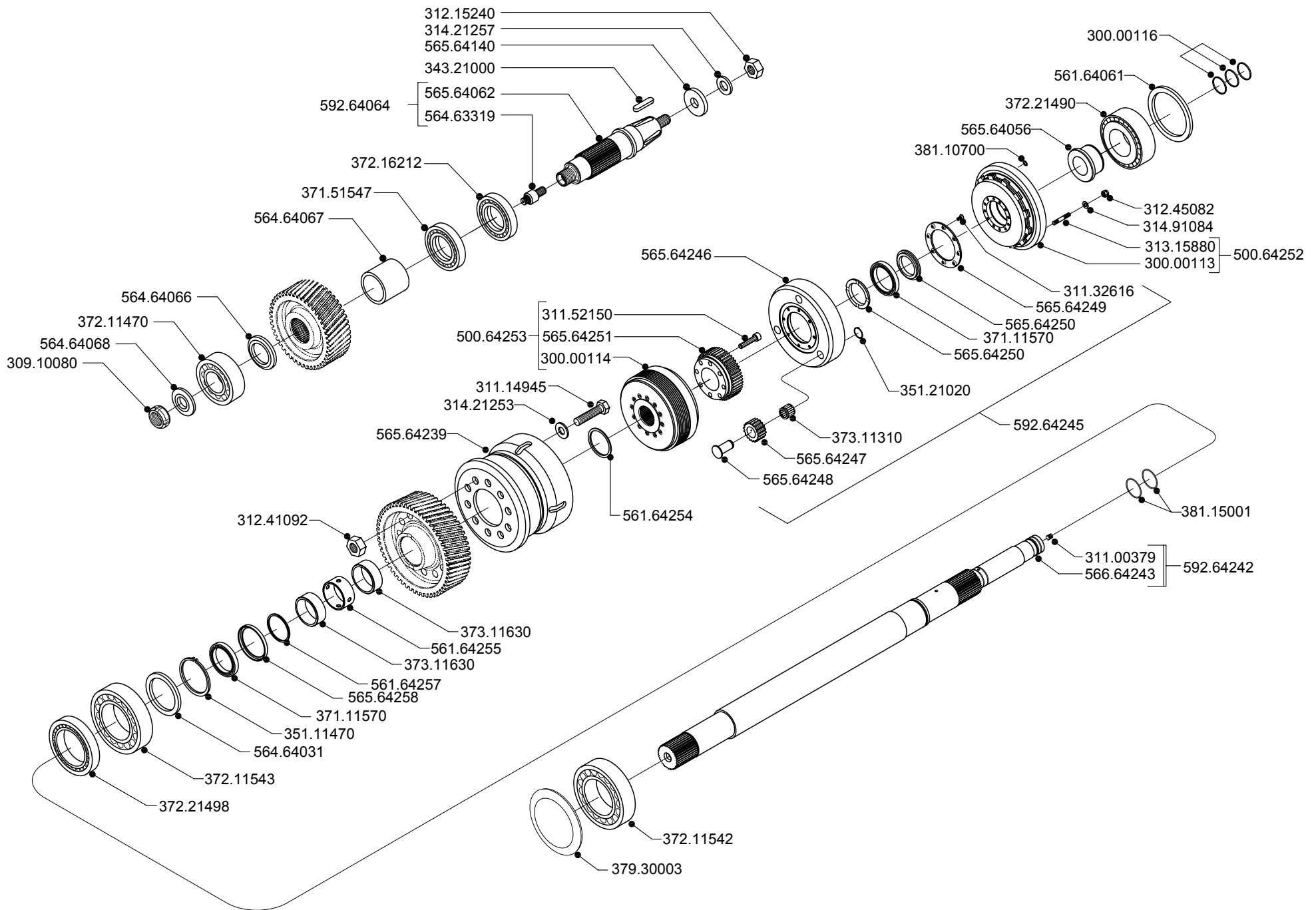


DAL JET N°: **C.187.06.D.K**
FROM JET N°: **C.187.06.D.K**



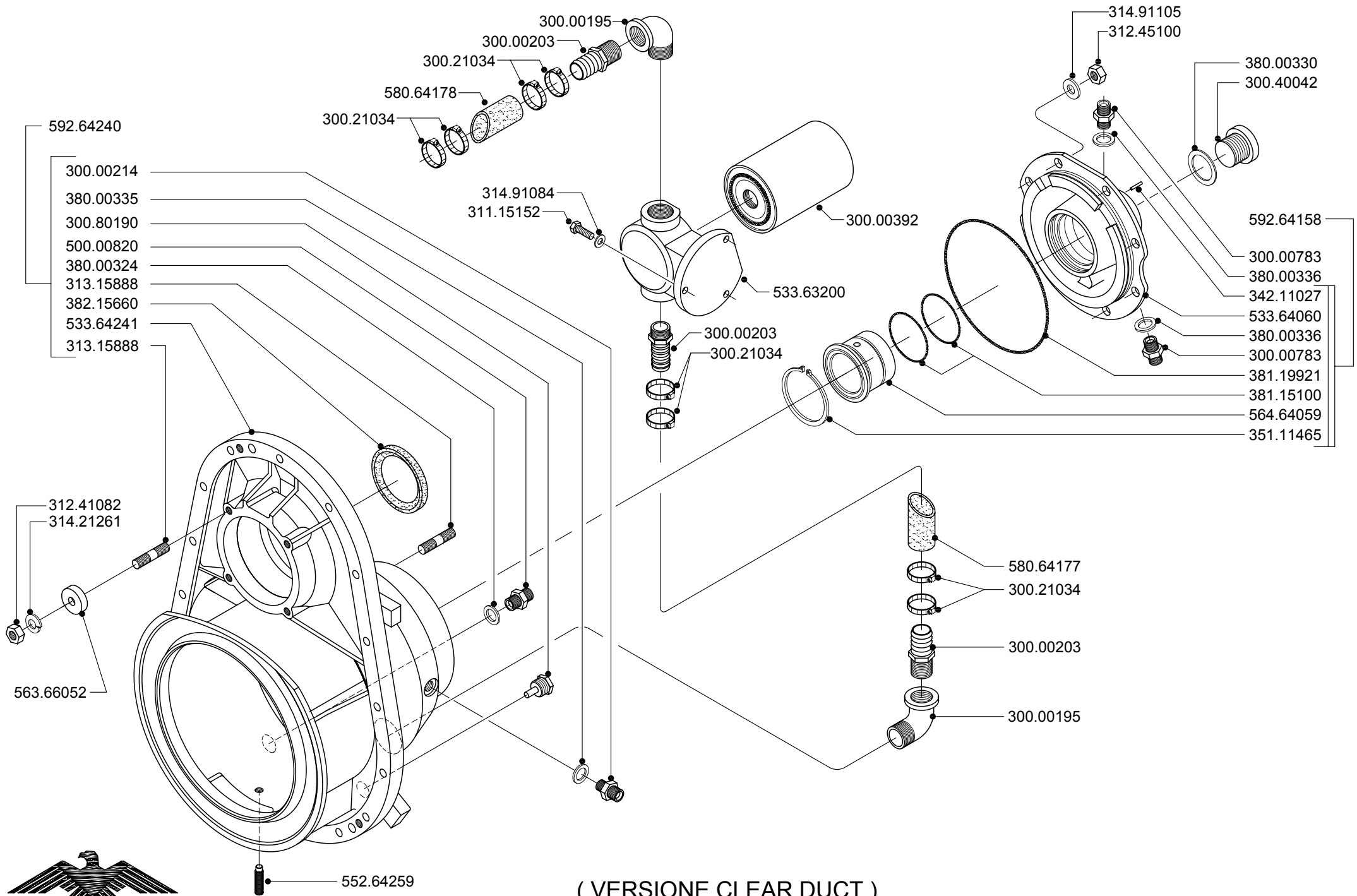
(VERSIONE STANDARD CON RULLINI)
 (STANDARD VERSION WITH ROLLER BEARINGS)





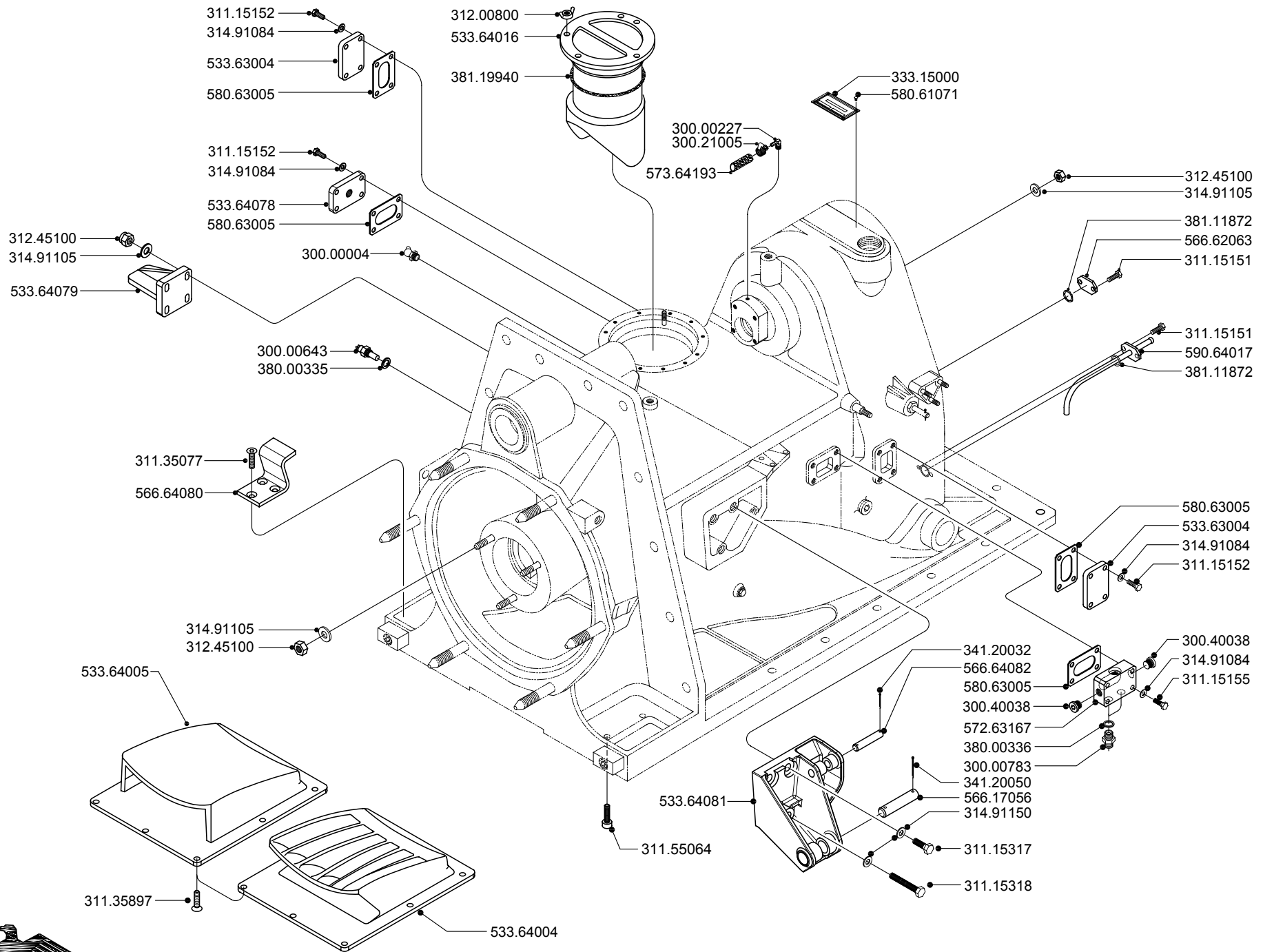
**(VERSIONE CLEAR DUCT)
(CLEAR DUCT VERSION)**

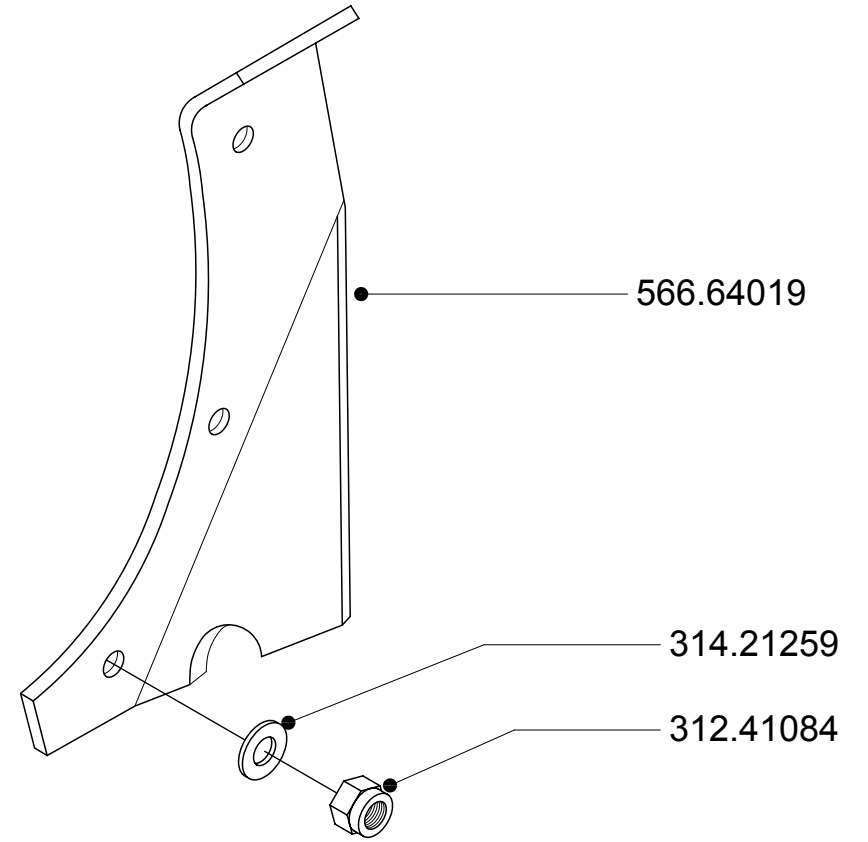
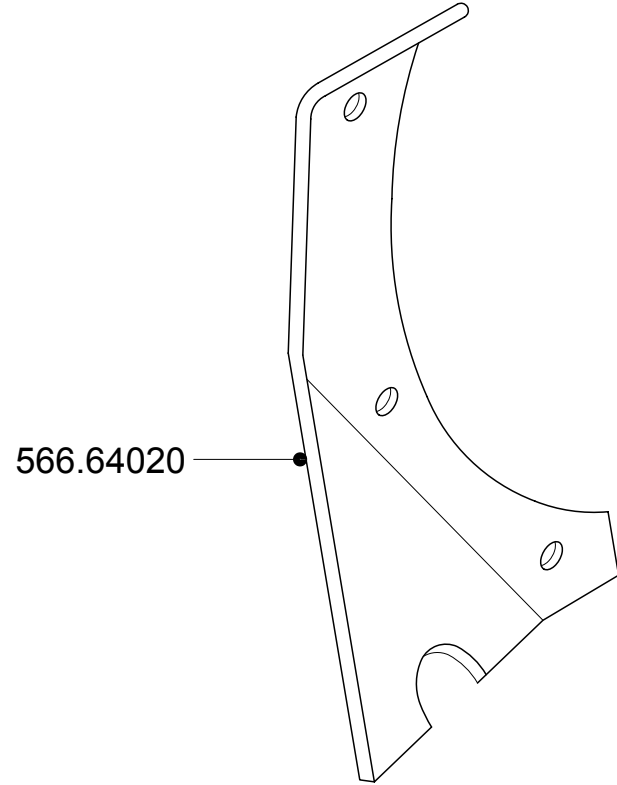
400.13/01

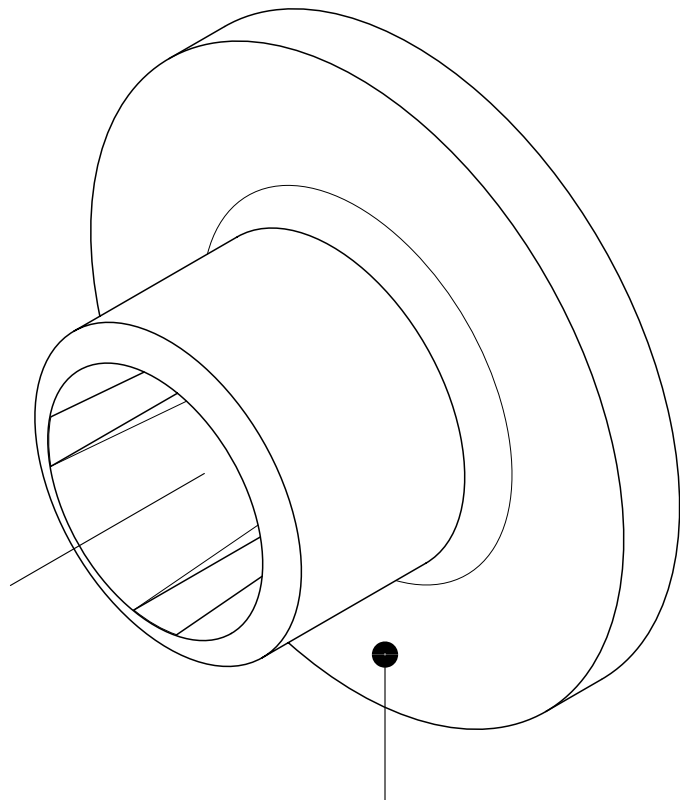


(VERSIONE CLEAR DUCT)
 (CLEAR DUCT VERSION)

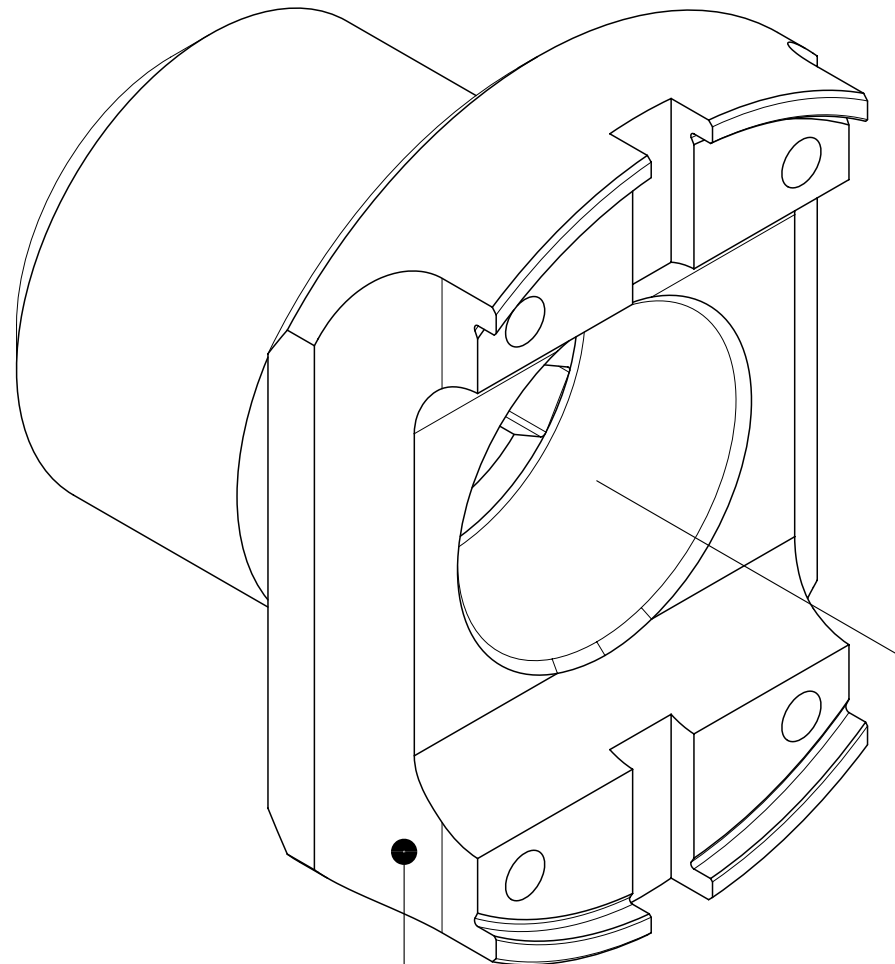
400.14/01



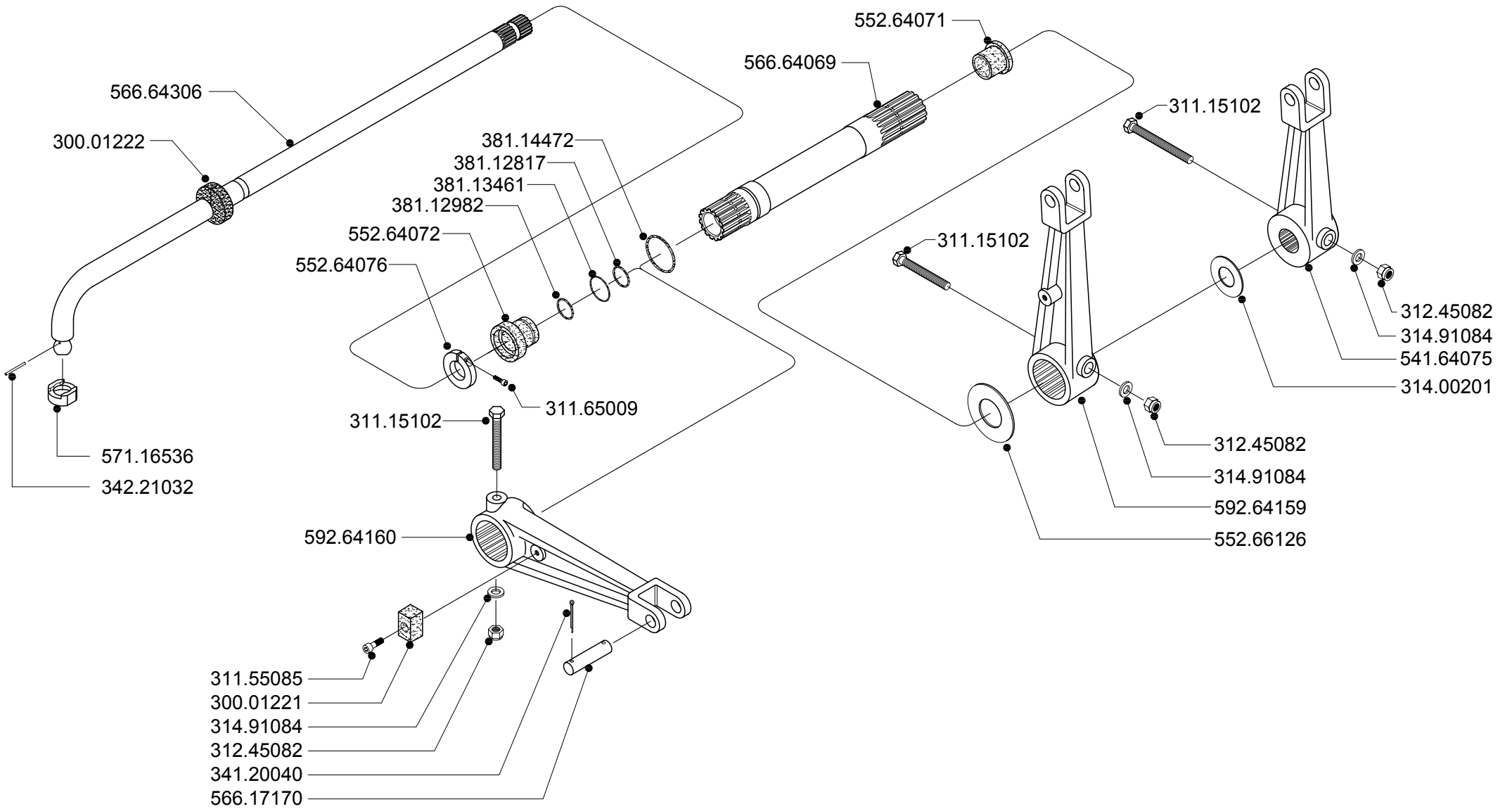


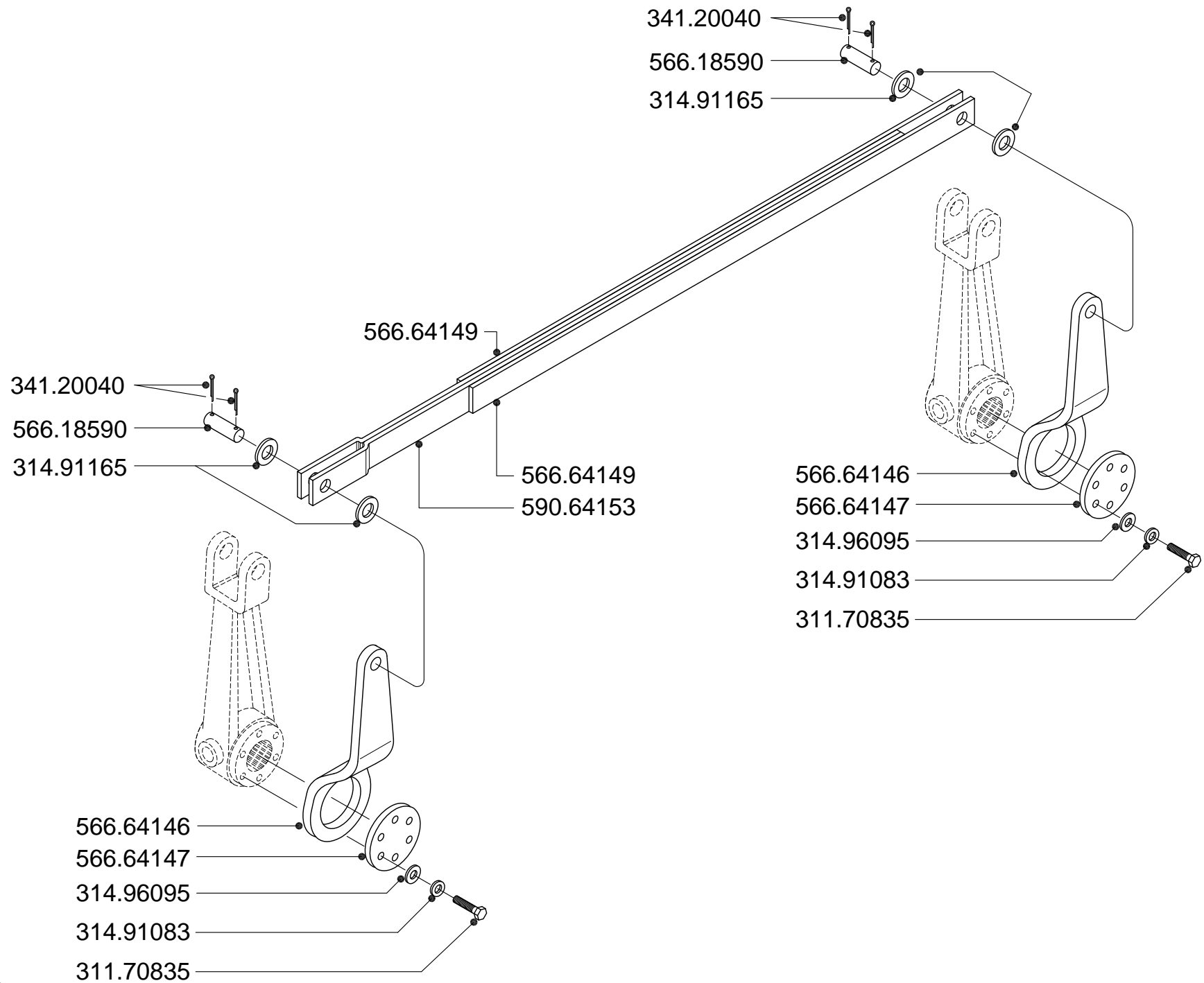


TIPO DI FLANGIA FLANGE TYPE	SOLO FLANGIA ONLY FLANGE	FLANGIA COMPLETA FLANGE ASSEMBLY
SL	563.64128	
DIN 150 - 8 x M12	563.64132	592.64191
DIN 180 - 8 x M14	563.64131	592.64176
DIN 181 - 10 x M16	563.64229	592.64228
DIN 225 - 8 x M16	563.64129	592.64174

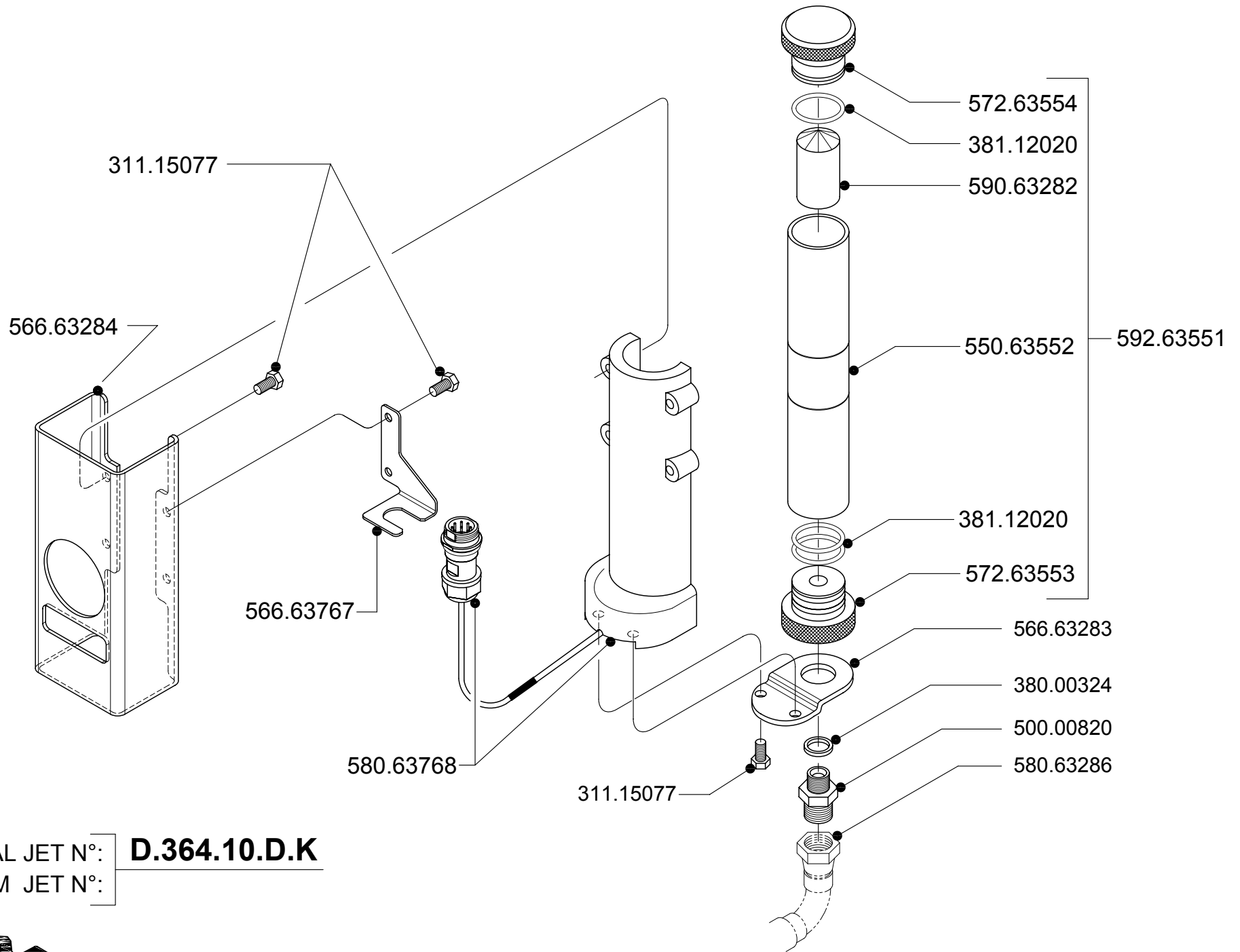


TIPO DI FLANGIA FLANGE TYPE	SOLO FLANGIA ONLY FLANGE	FLANGIA COMPLETA FLANGE ASSEMBLY
MECHANICS 8.5C	563.64434	





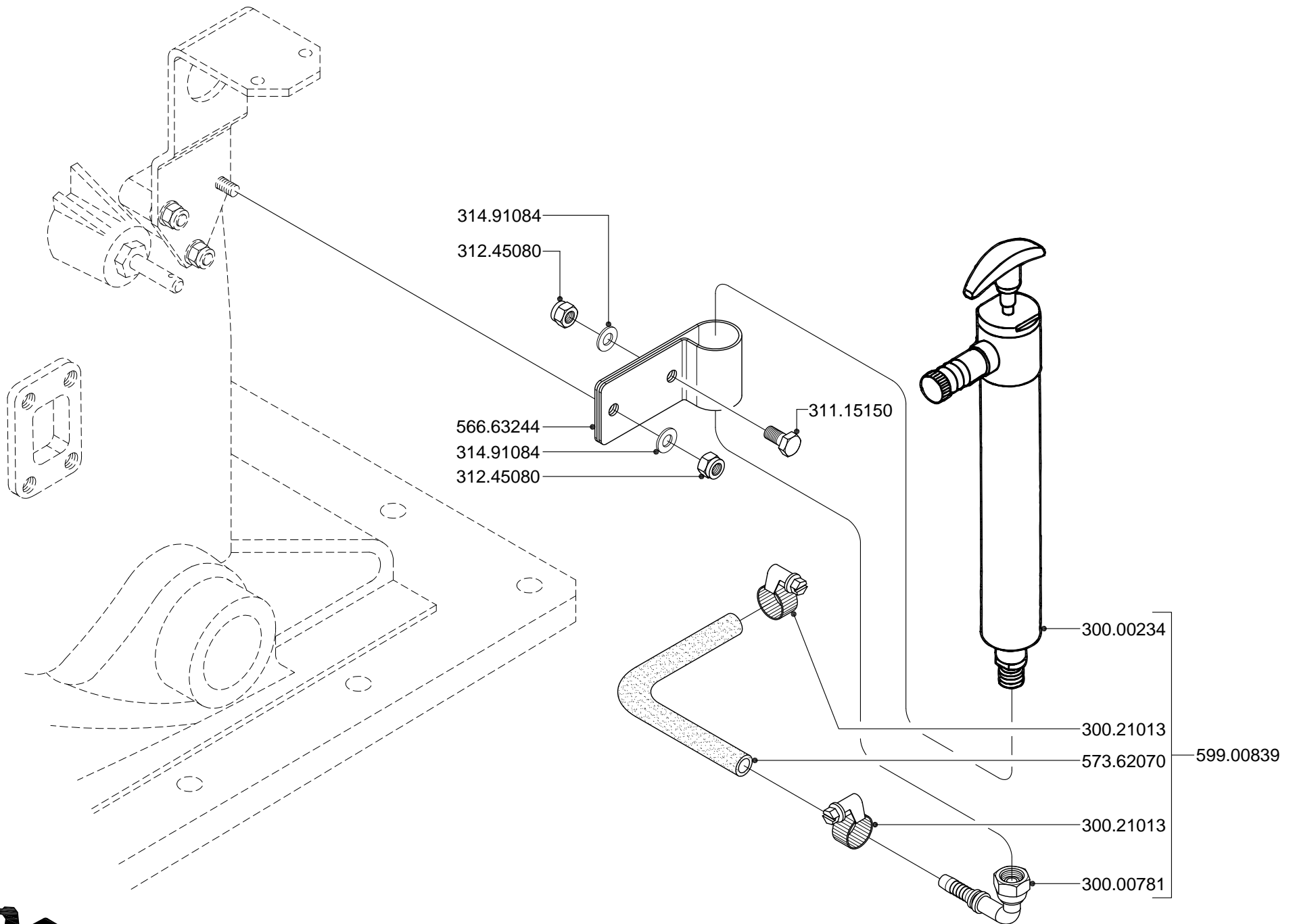
592.64154 - ACCOPIAMENTO COMANDO STERZO 2 JET
 592.64154 - STEERING CONNECTION FOR 2 JET UNIT



DAL JET N°: **D.364.10.D.K**
 FROM JET N°:

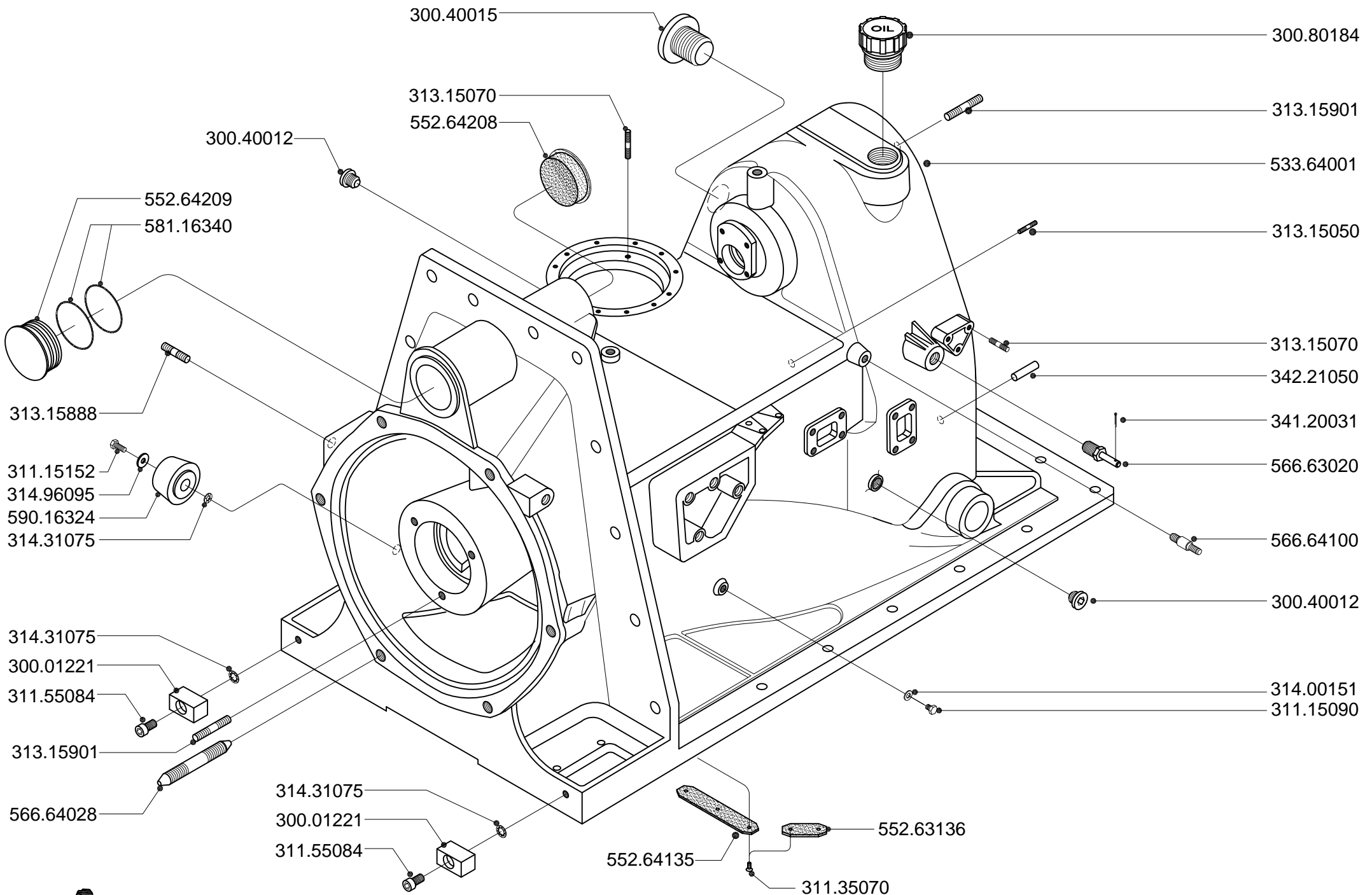


592.64327 - LIVELLO OLIO COMPLETO
 592.64327 - OIL LEVEL ASSEMBLY



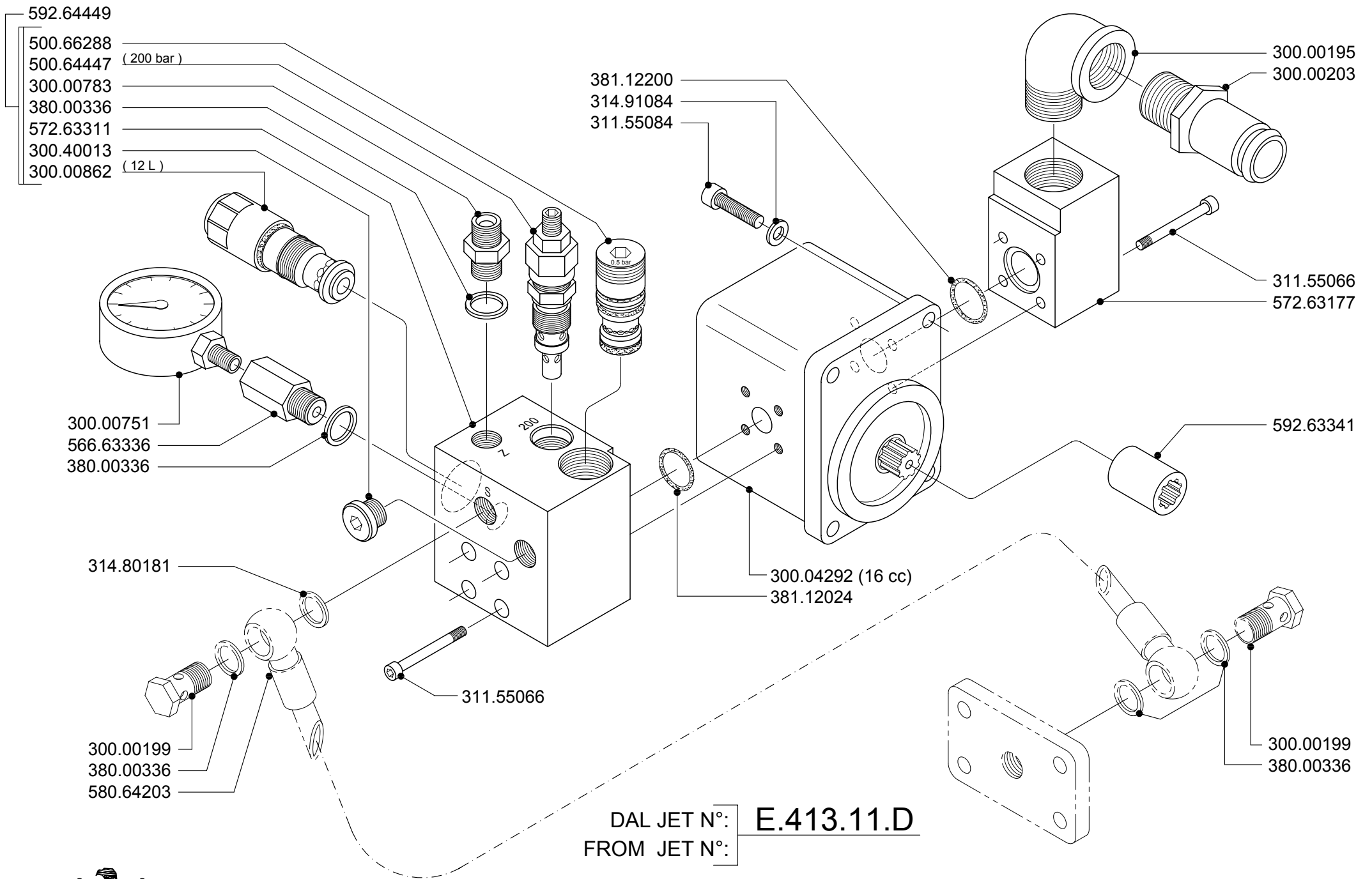
**POMPA ESTRAZIONE OLIO
OIL DRAINAGE PUMP**

400.21/00



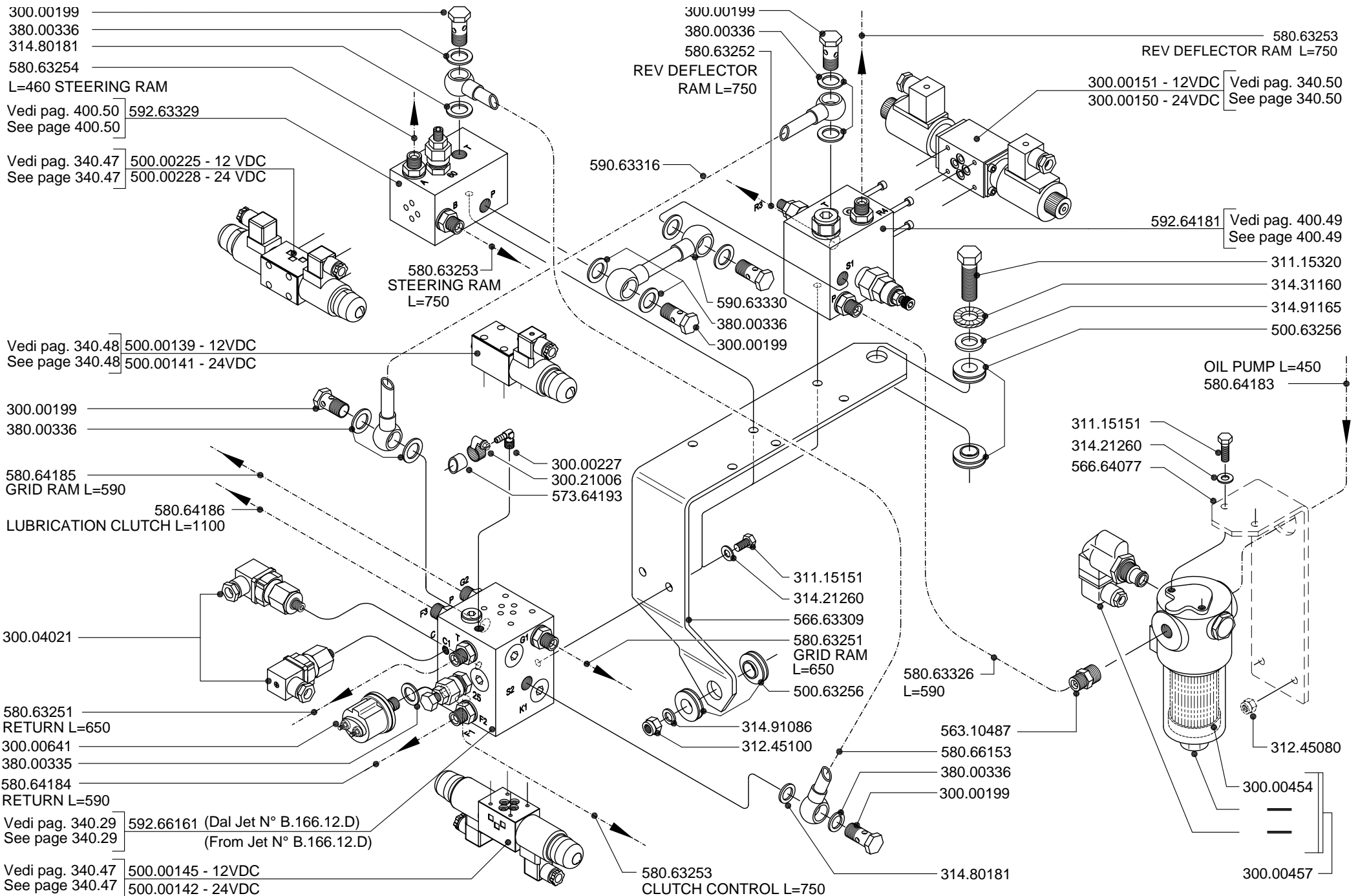
592.64207 - CORPO PROPULSORE COMPLETO BOOSTER
 592.64207 - BOOSTER COMPLETE JET UNIT CASING

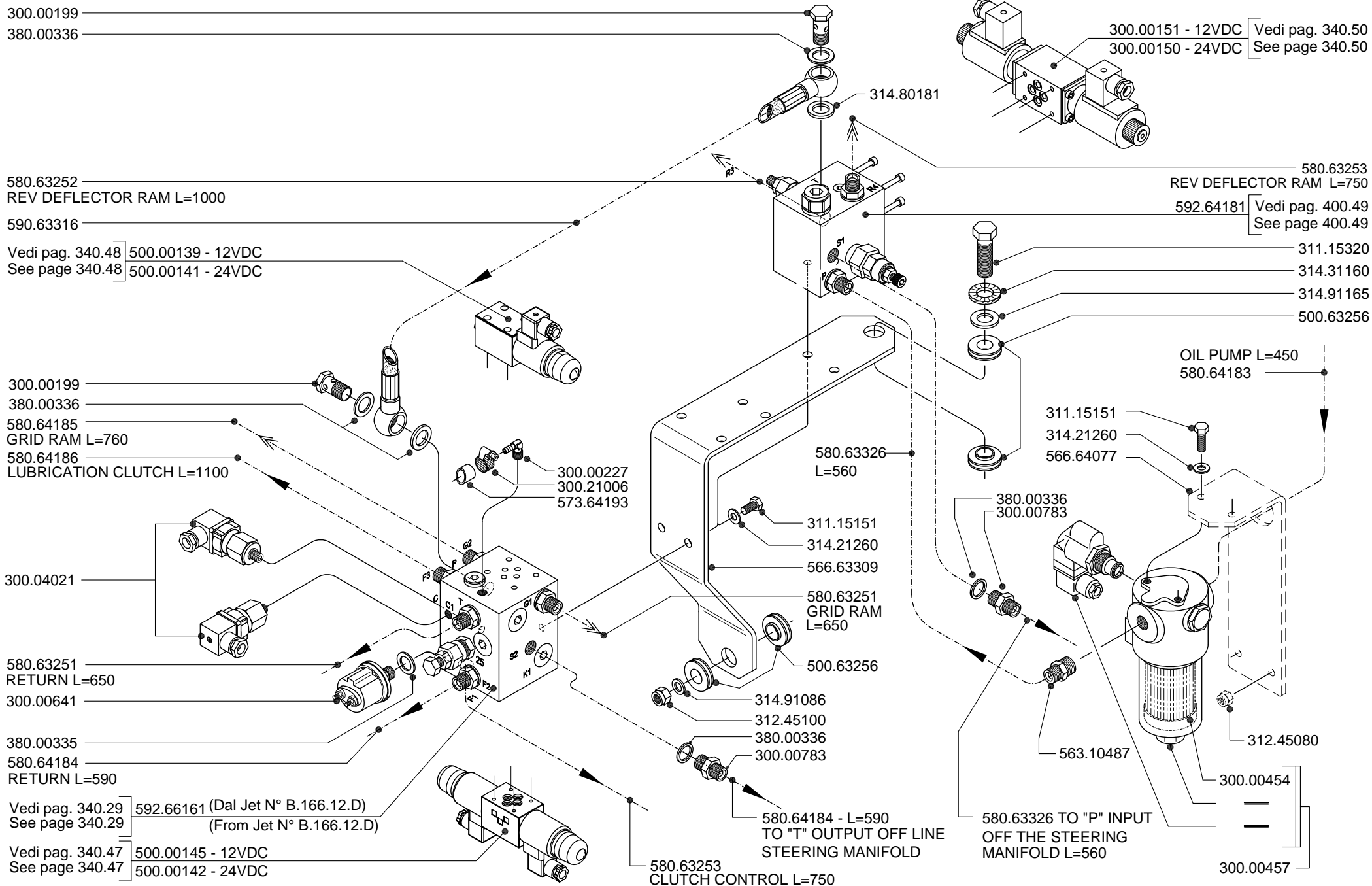
400.22/01

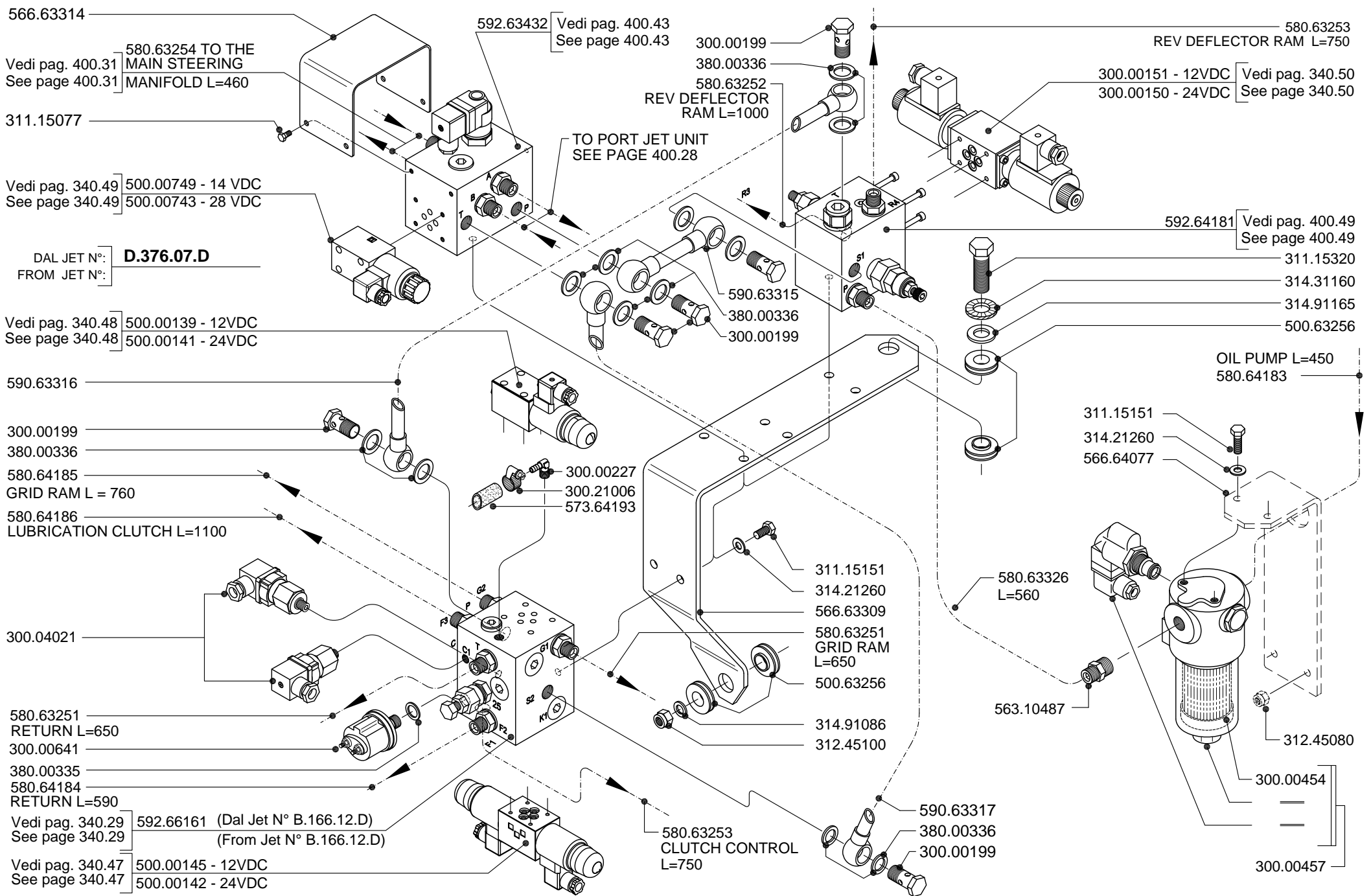


592.64448 - POMPA OLIO COMPLETA (16 cc)
592.64448 - OIL PUMP ASSEMBLY (16 cc)

400.24/02

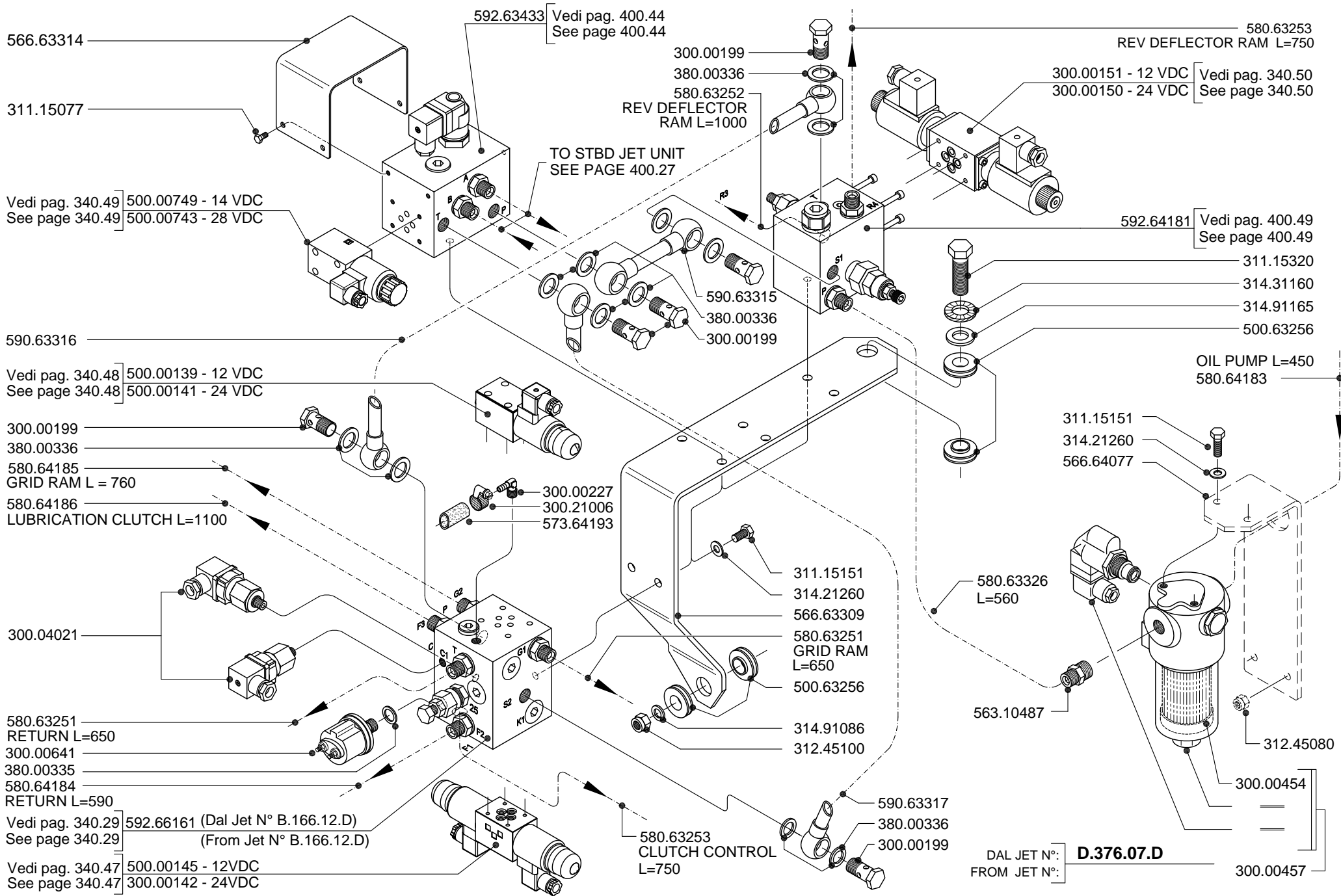


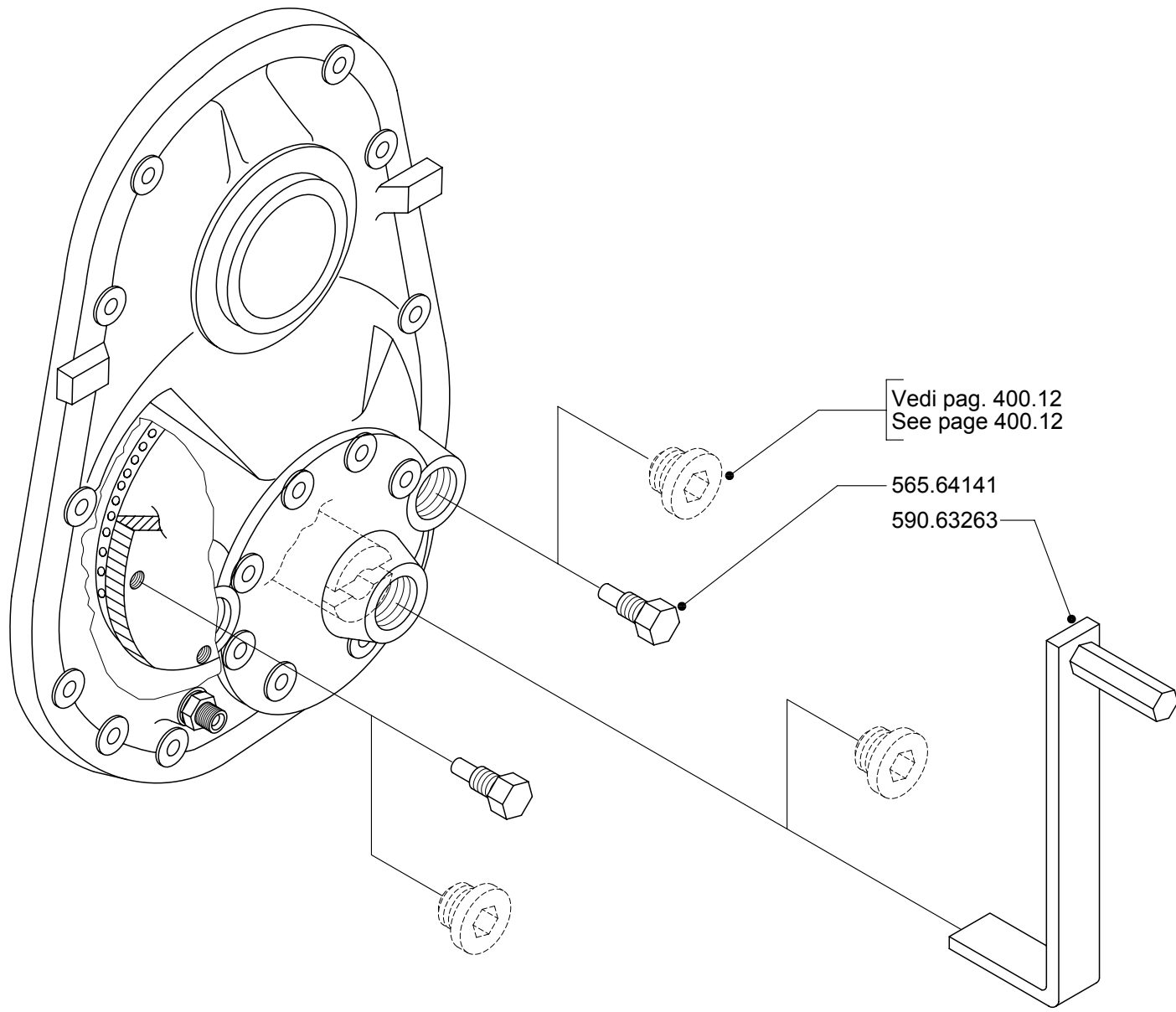




DOPPIA INSTALLAZIONE CON IDROGUIDA DANFOSS E RETRO EE/HY - JET DI DESTRA (VERSIONE STANDARD)
TWIN INSTALLATION WITH DANFOSS STEERING CONTROL AND EE/HY BUCKET - STBD JET (STANDARD VERSION)

400.27/03





300.00795
 572.63226
 566.62369
 300.00217
 300.00761
 300.00780
 300.00217

300.00810
 580.63246 L = 560

311.55066
 300.40038
 300.00810
 580.64190 L = 540
 STEERING RAM

300.40038

311.55063
 300.00810
 580.63248 L = 680
 STEERING RAM

300.40038

300.00761
 300.00177

500.64202

300.00388

580.64201
 566.10316

380.00326

580.64201

566.10316



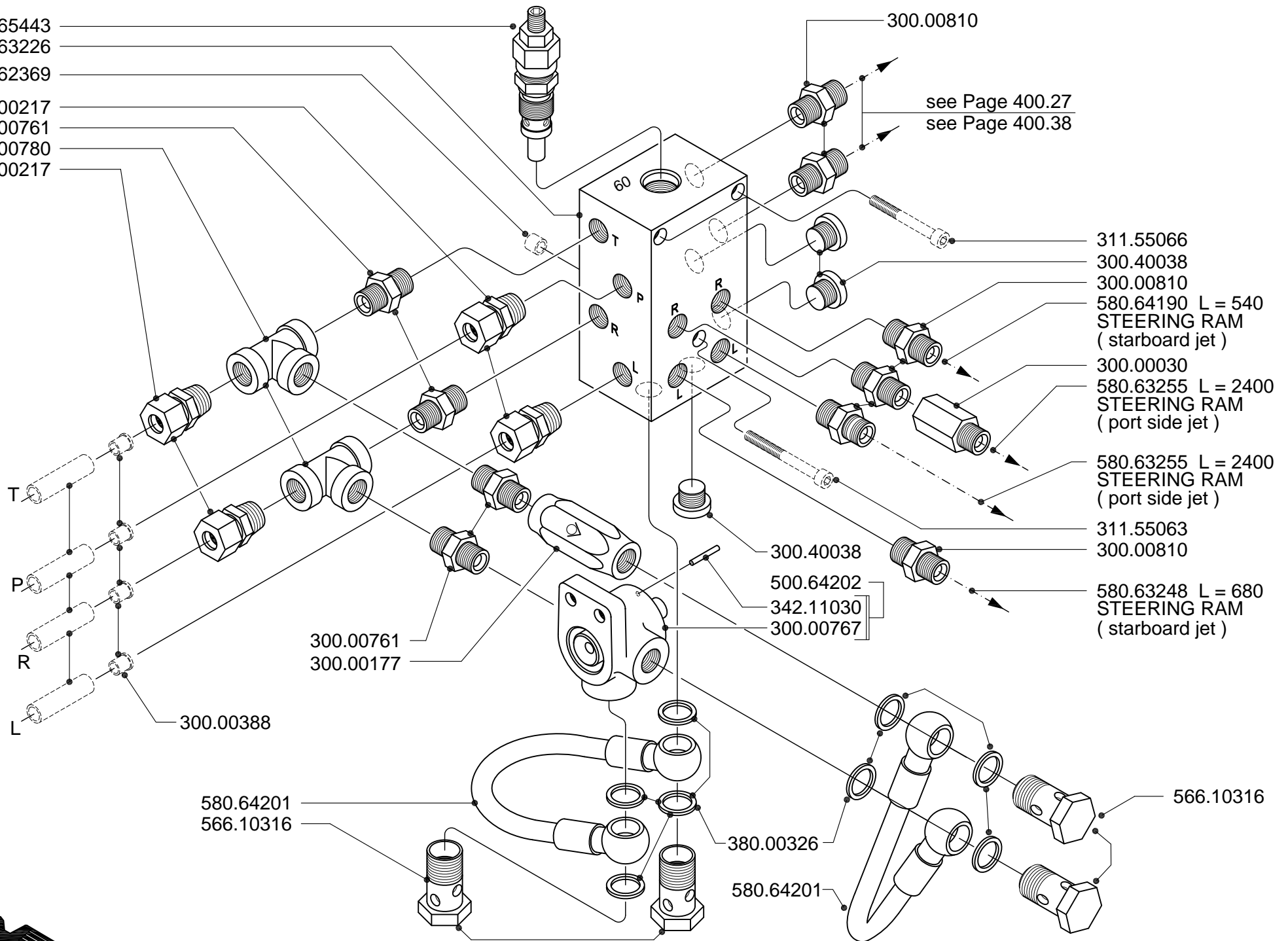
592.64168 - COLLETTORE DI STERZO PER IDROGETTO SINGOLO
 592.64168 - STEERING MANIFOLD FOR SINGLE JET UNIT

400.30/01

500.65443
 572.63226
 566.62369
 300.00217
 300.00761
 300.00780
 300.00217

300.00810

see Page 400.27
 see Page 400.38



311.55066
 300.40038
 300.00810
 580.64190 L = 540
 STEERING RAM
 (starboard jet)
 300.00030
 580.63255 L = 2400
 STEERING RAM
 (port side jet)
 580.63255 L = 2400
 STEERING RAM
 (port side jet)
 311.55063
 300.00810
 580.63248 L = 680
 STEERING RAM
 (starboard jet)

300.00761
 300.00177

300.00388

580.64201
 566.10316

300.40038
 500.64202
 342.11030
 300.00767

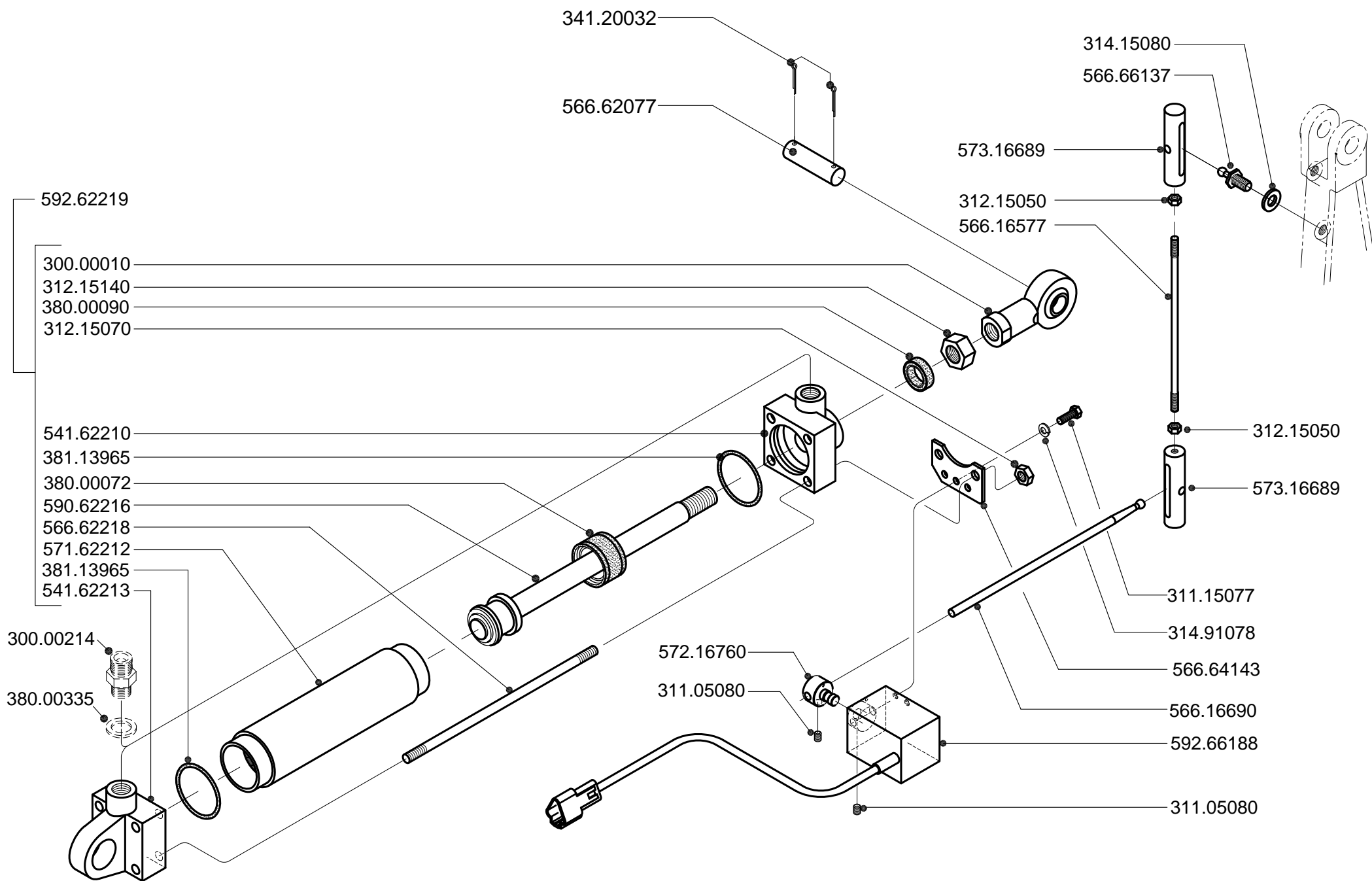
566.10316

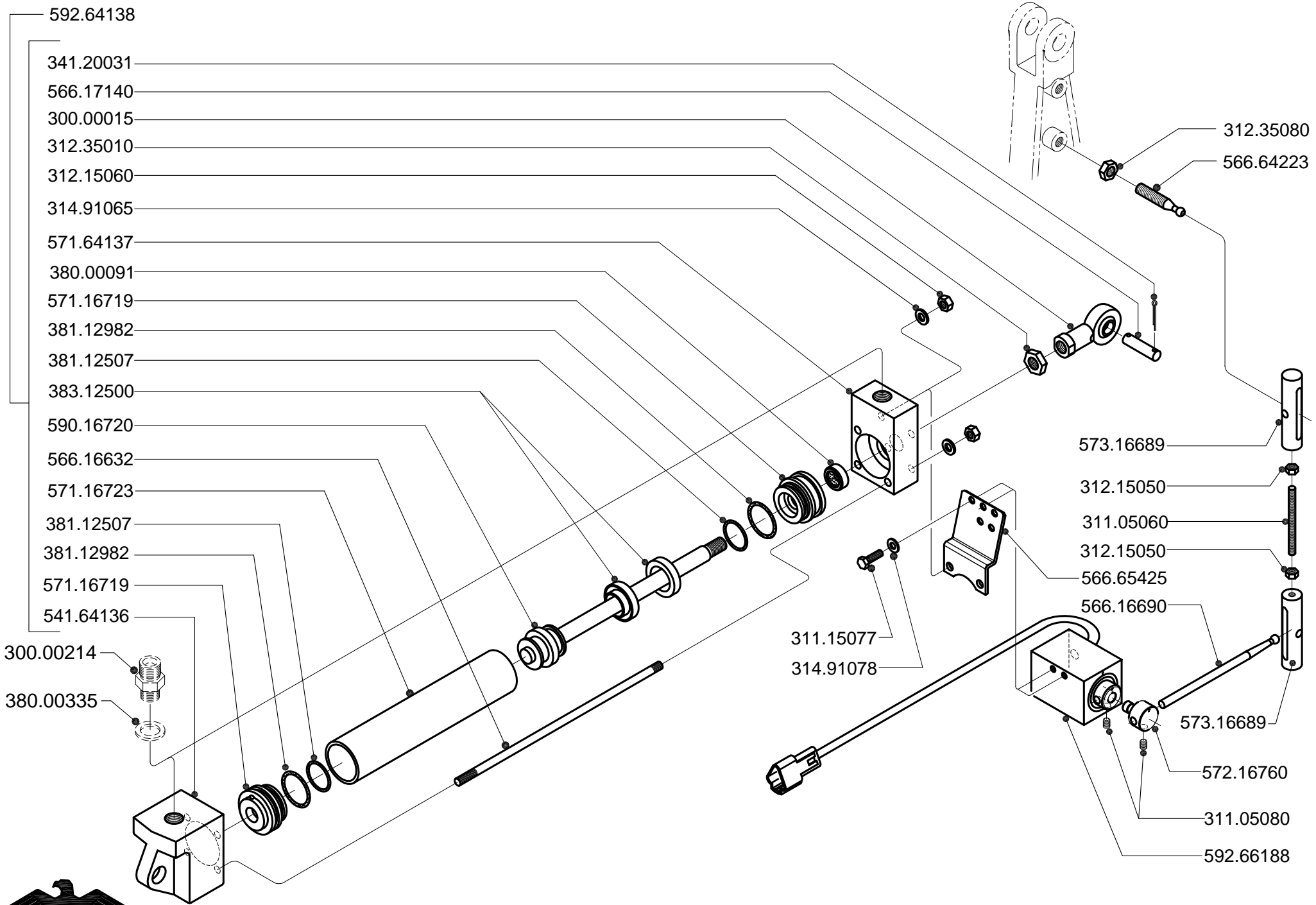
380.00326
 580.64201



592.64169 - COLLETTORE DI STERZO PER DUE IDROGETTI ACCOPPIATI
 592.64169 - STEERING MANIFOLD FOR TWO LINKED JET UNITS

400.31/00





592.64138

341.20031

566.17140

300.00015

312.35010

312.15060

314.91065

571.64137

380.00091

571.16719

381.12982

381.12507

383.12500

590.16720

566.16632

571.16723

381.12507

381.12982

571.16719

541.64136

300.00214

380.00335

312.35080

566.64223

573.16689

312.15050

311.05060

312.15050

566.65425

566.16690

311.15077

314.91078

573.16689

572.16760

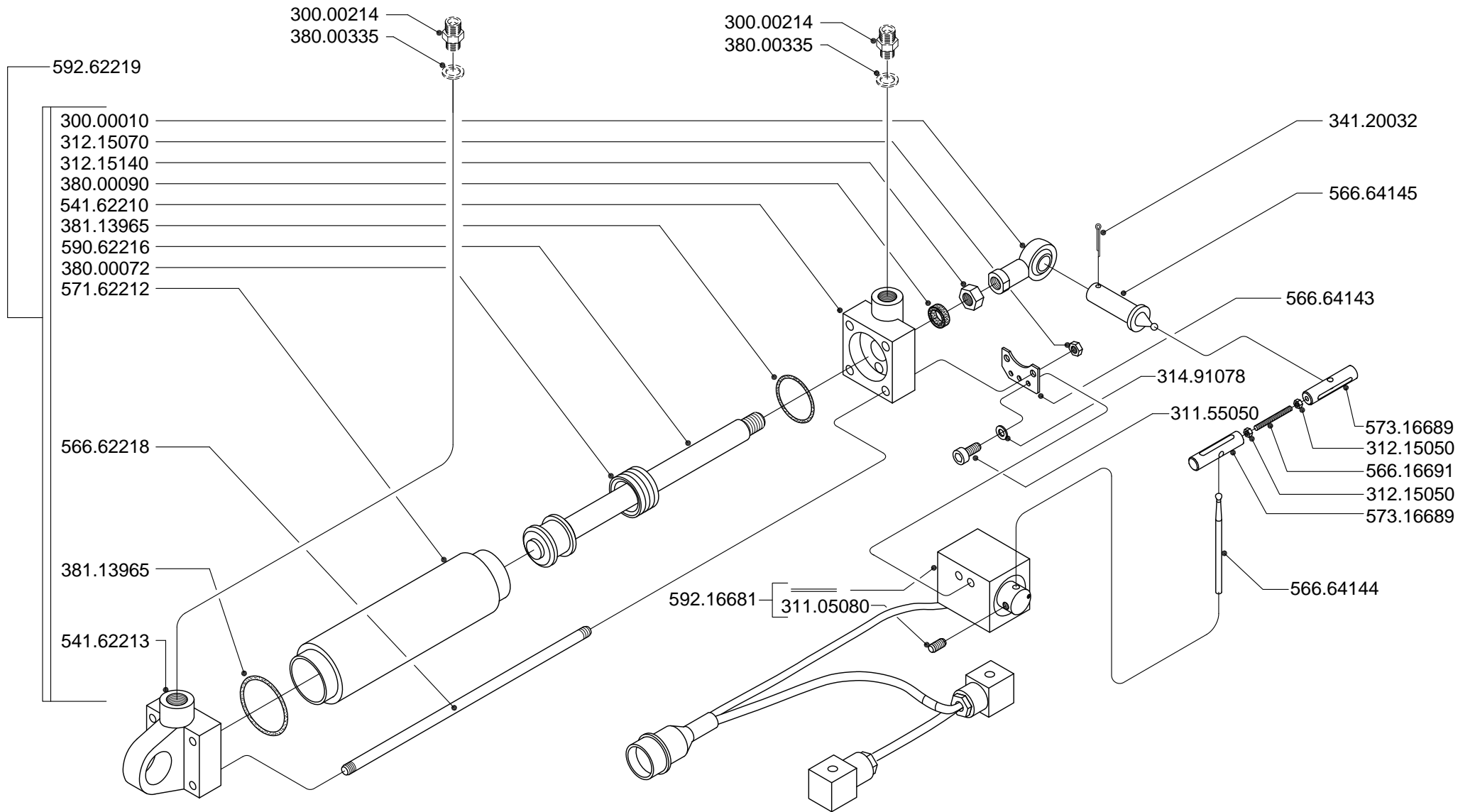
311.05080

592.66188



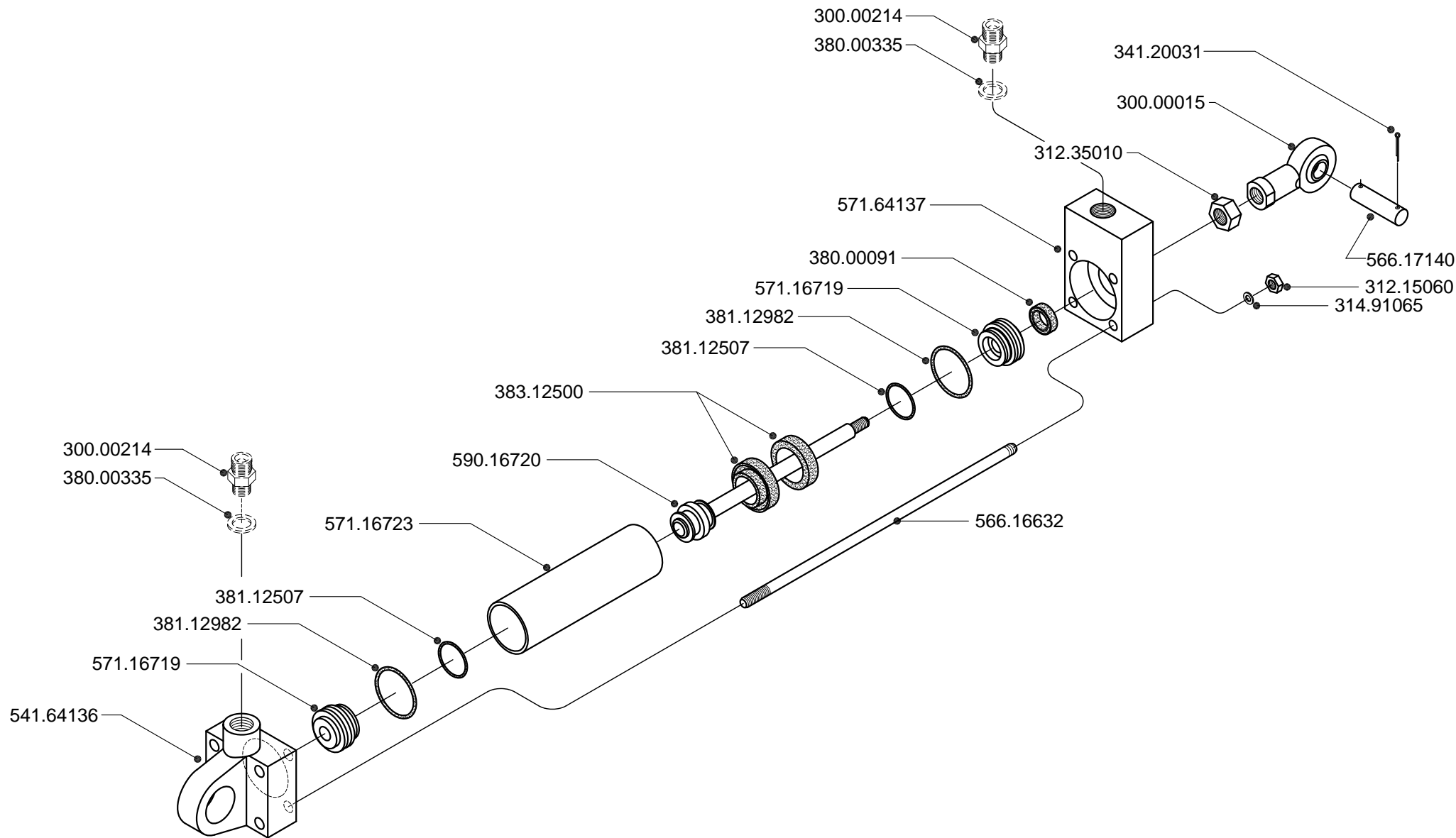
592.64214 - CILINDRO ELETTRIDRAULICO con POTENZIOMETRO PER COMANDO STERZO
 592.64214 - ELECTRO-HYDRAULIC RAM WITH POTENTIOMETER FOR STEERING SYSTEM

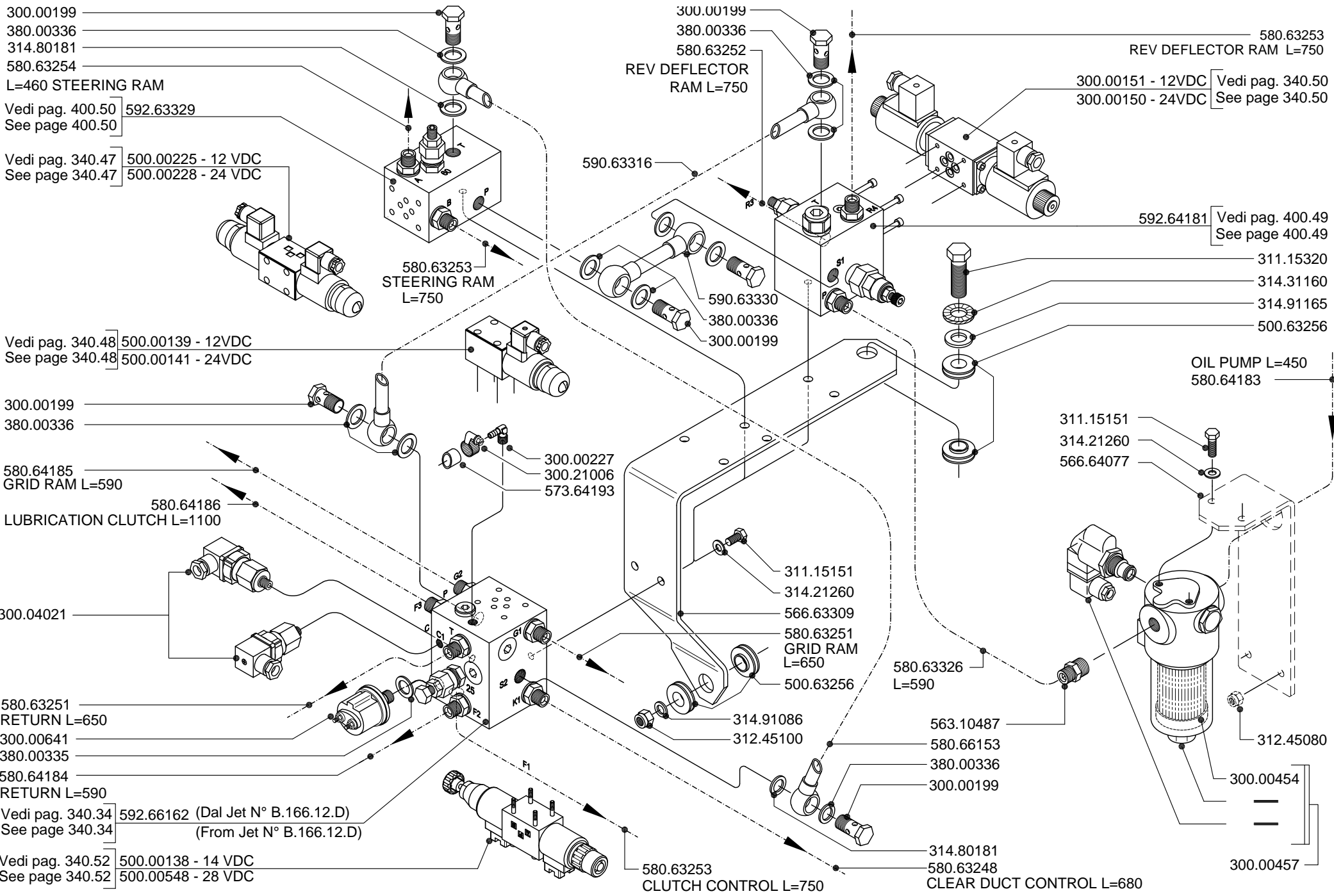
400.33/00



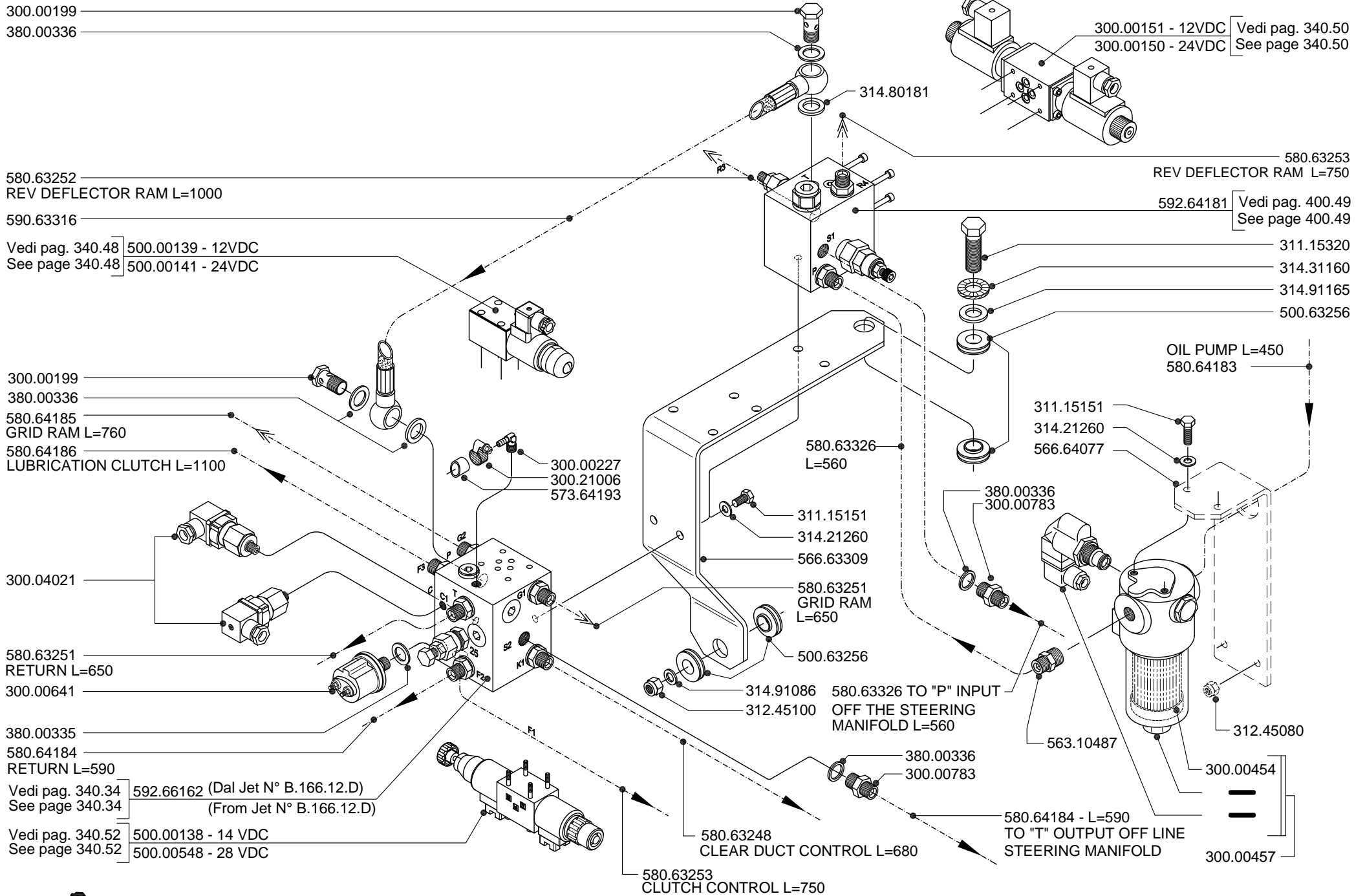
592.64142 - CILINDRO IDRAULICO PER COMANDO DEFLETTORE EL/HY
 592.64142 - EL/HY HYDRAULIC BUCKET RAM

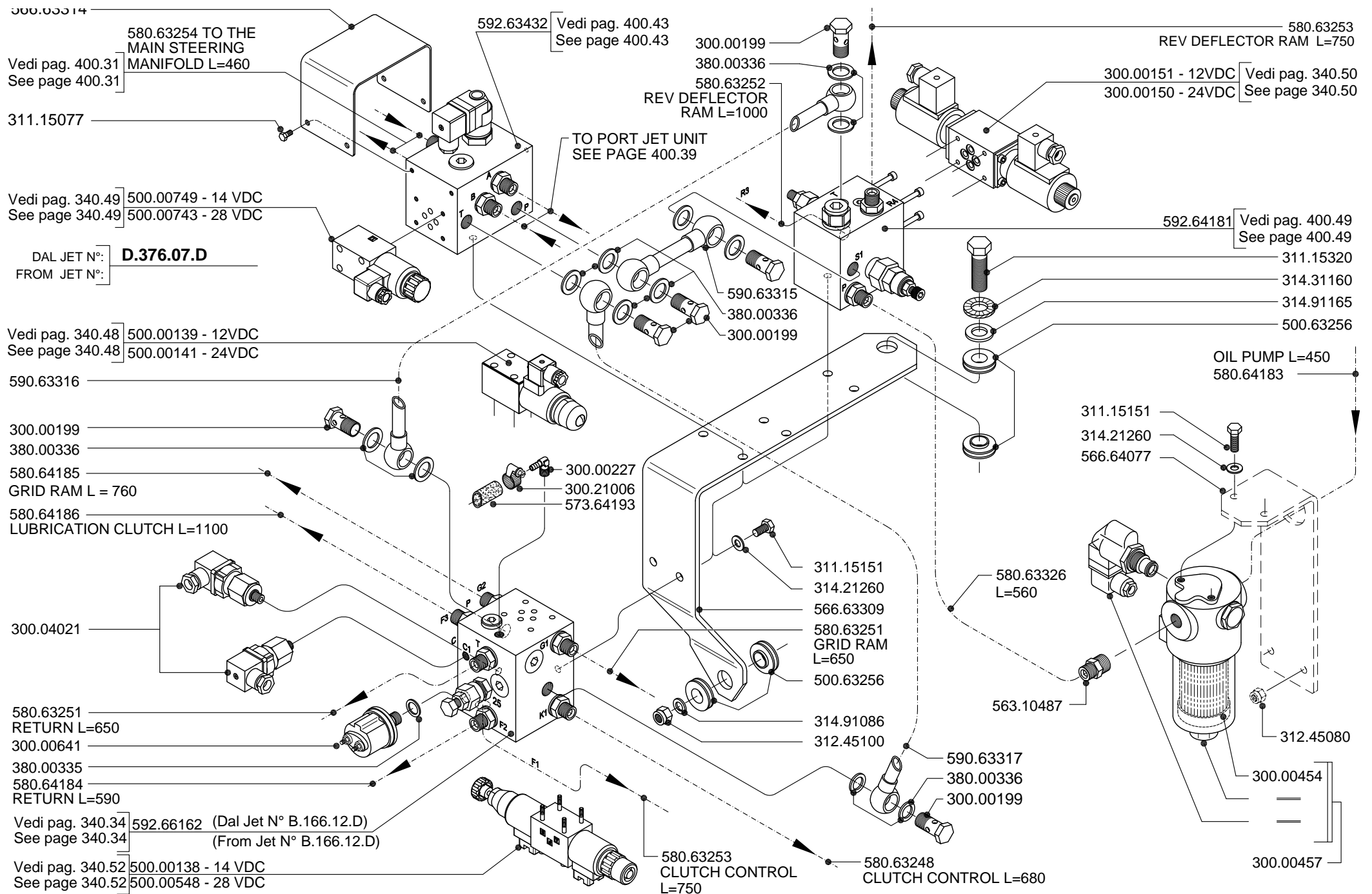
400.34/00





INSTALLAZIONE SINGOLA CON STERZO E RETRO EE/HY (VERSIONE CLEAR DUCT)
 SINGLE INSTALLATION WITH EE/HY STEERING AND BUCKET (CLEAR DUCT VERSION)

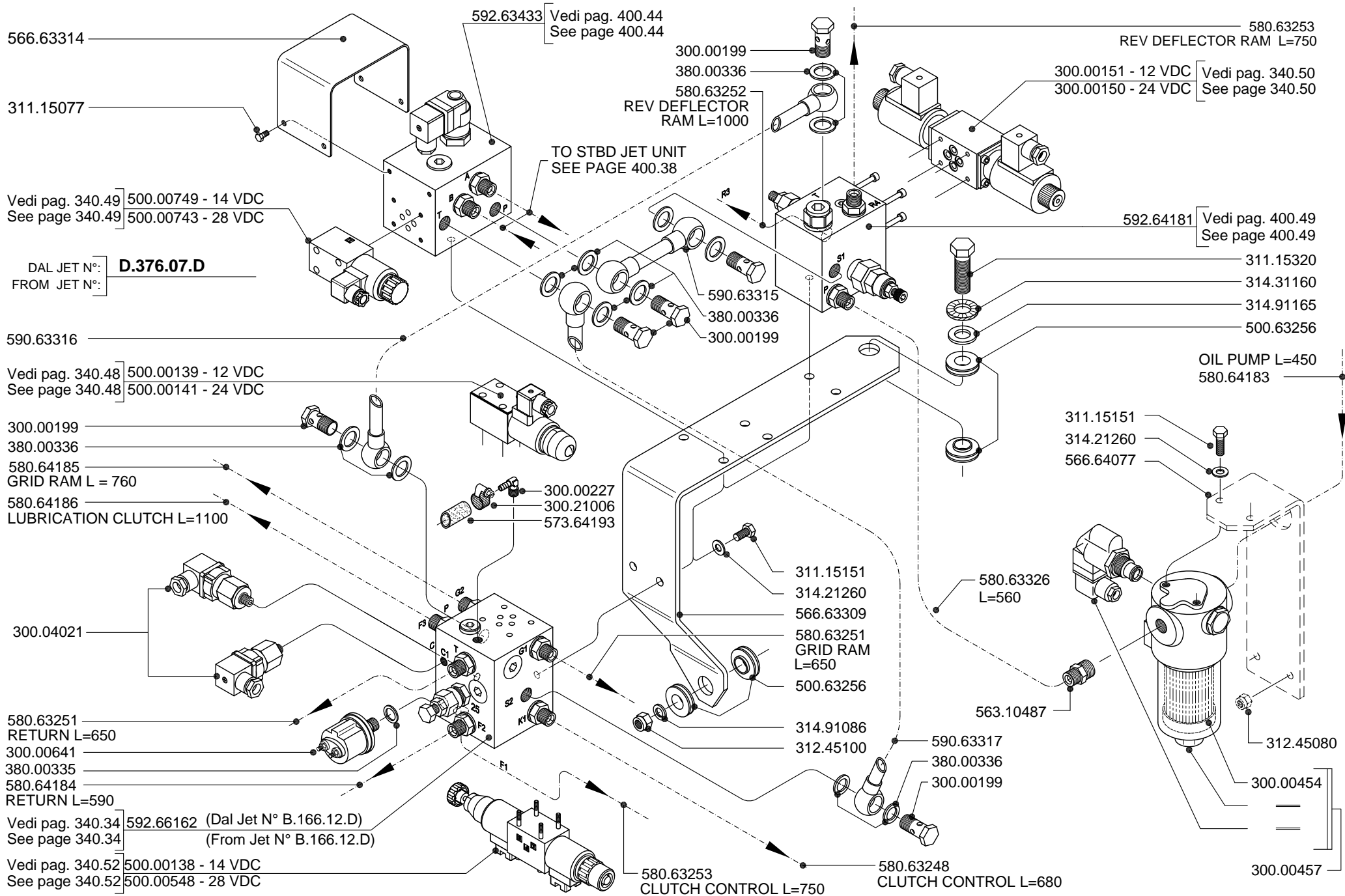




DOPPIA INSTALLAZIONE CON IDROGUIDA DANFOSS IDROGETTO DI DESTRA E RETRO EE/HY
 TWIN INSTALLATION WITH DANFOSS STEERING UNIT CONTROL STARBOARD JET UNIT AND EE/HY BUCKET

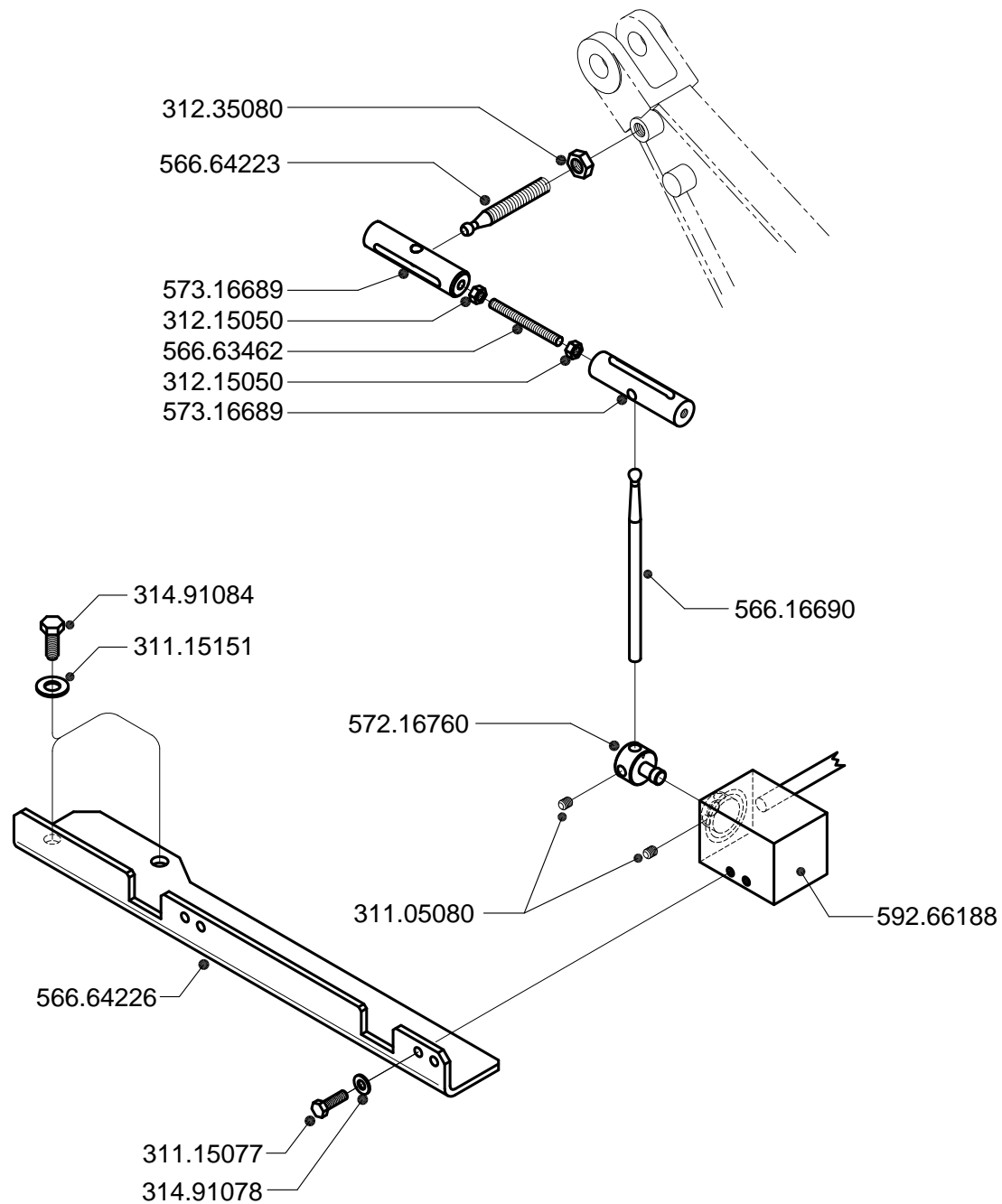
(VERSIONE CLEAR DUCT)
 (CLEAR DUCT VERSION)

400.38/03

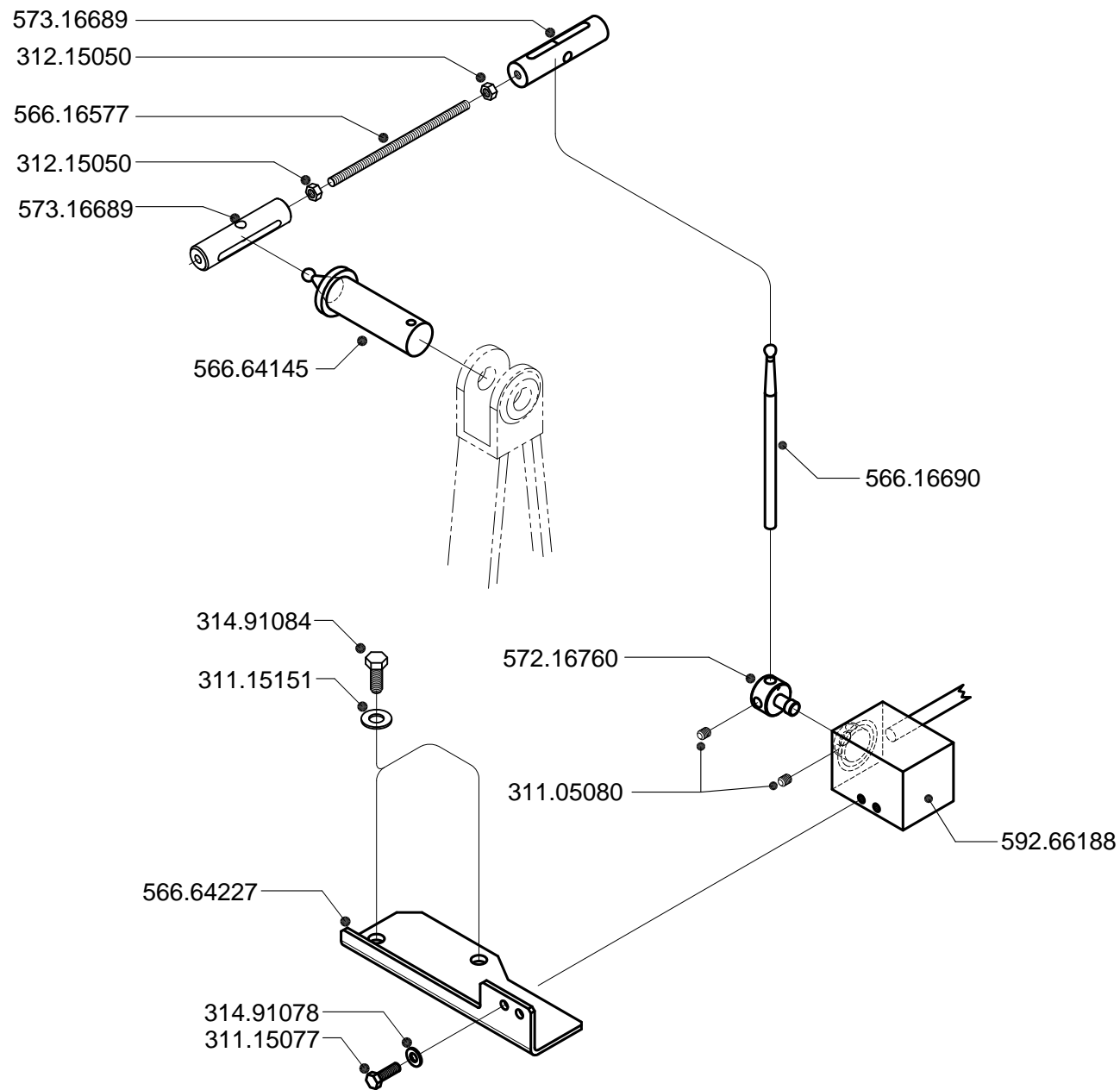


DOPPIA INSTALLAZIONE CON IDROGUIDA DANFOSS IDROGETTO DI SINISTRA E RETRO EE/HY (VERSIONE CLEAR DUCT)
TWIN INSTALLATION WITH DANFOSS STEERING UNIT CONTROL PORT JET UNIT AND EE/HY BUCKET (CLEAR DUCT VERSION)

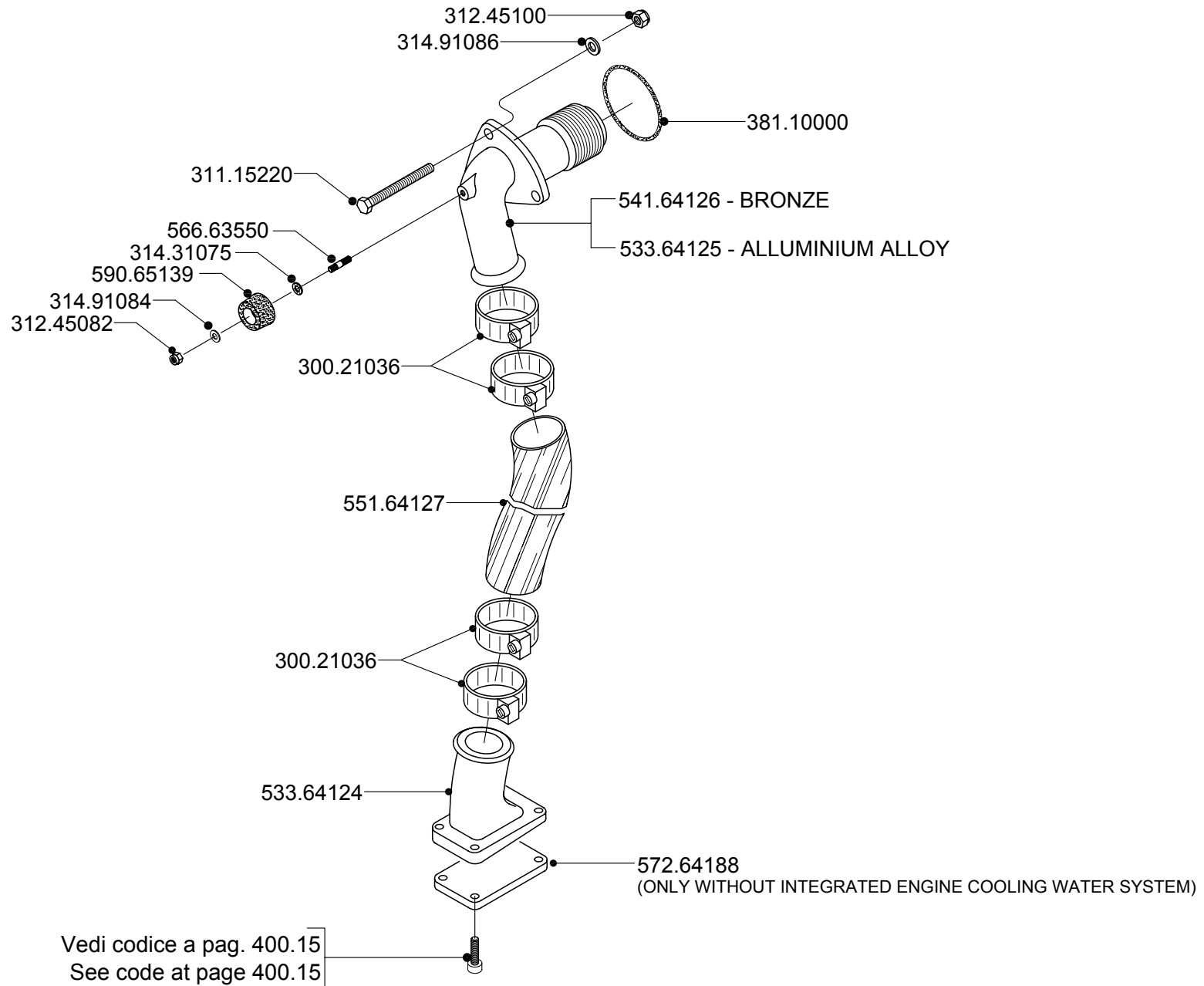
400.39/03



592.64224 - KIT POTENZIOMETRO PER STERZO ACES SENZA DISPLAY
 592.64224 - ACES STEERING SYSTEM POTENTIOMETER WITHOUT DISPLAY ASSEMBLY

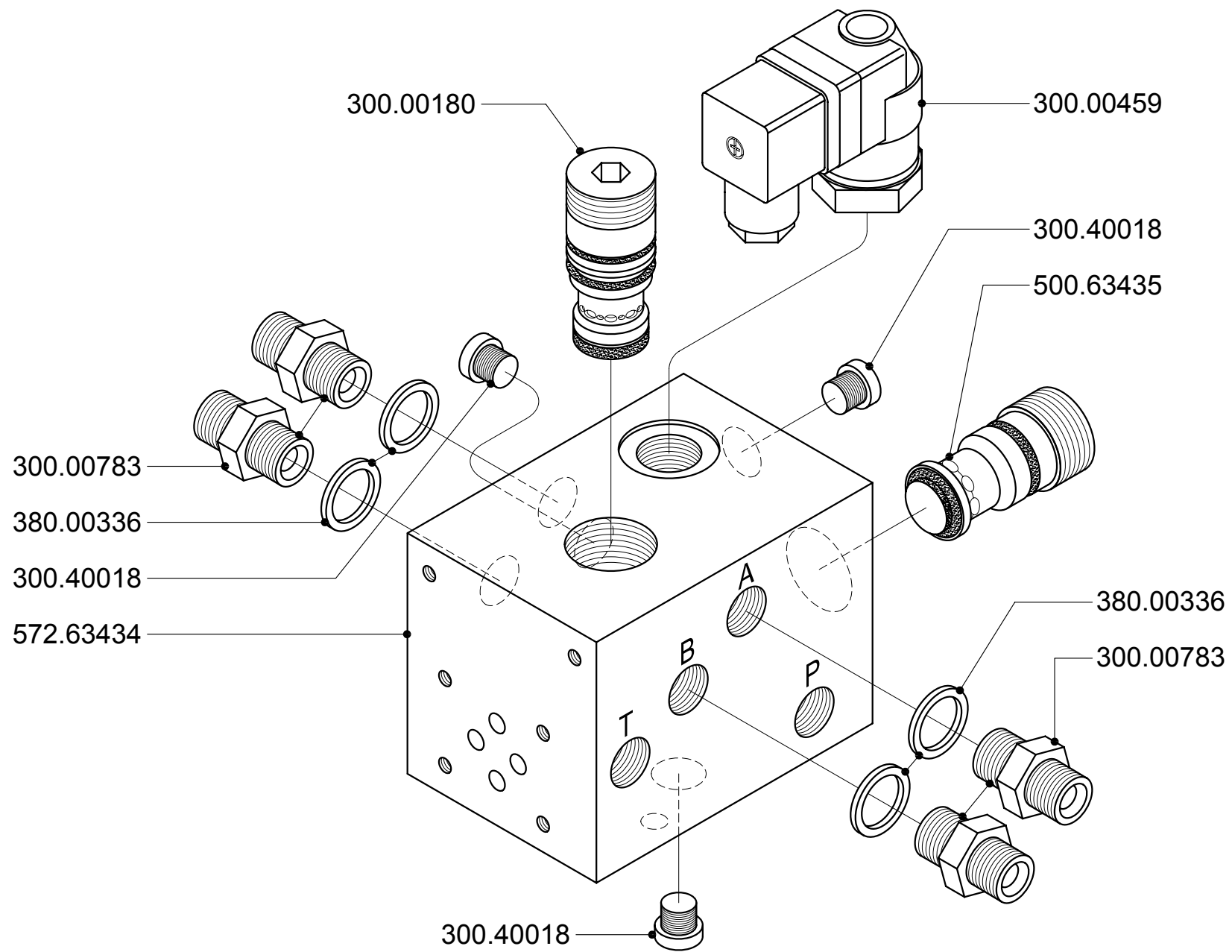


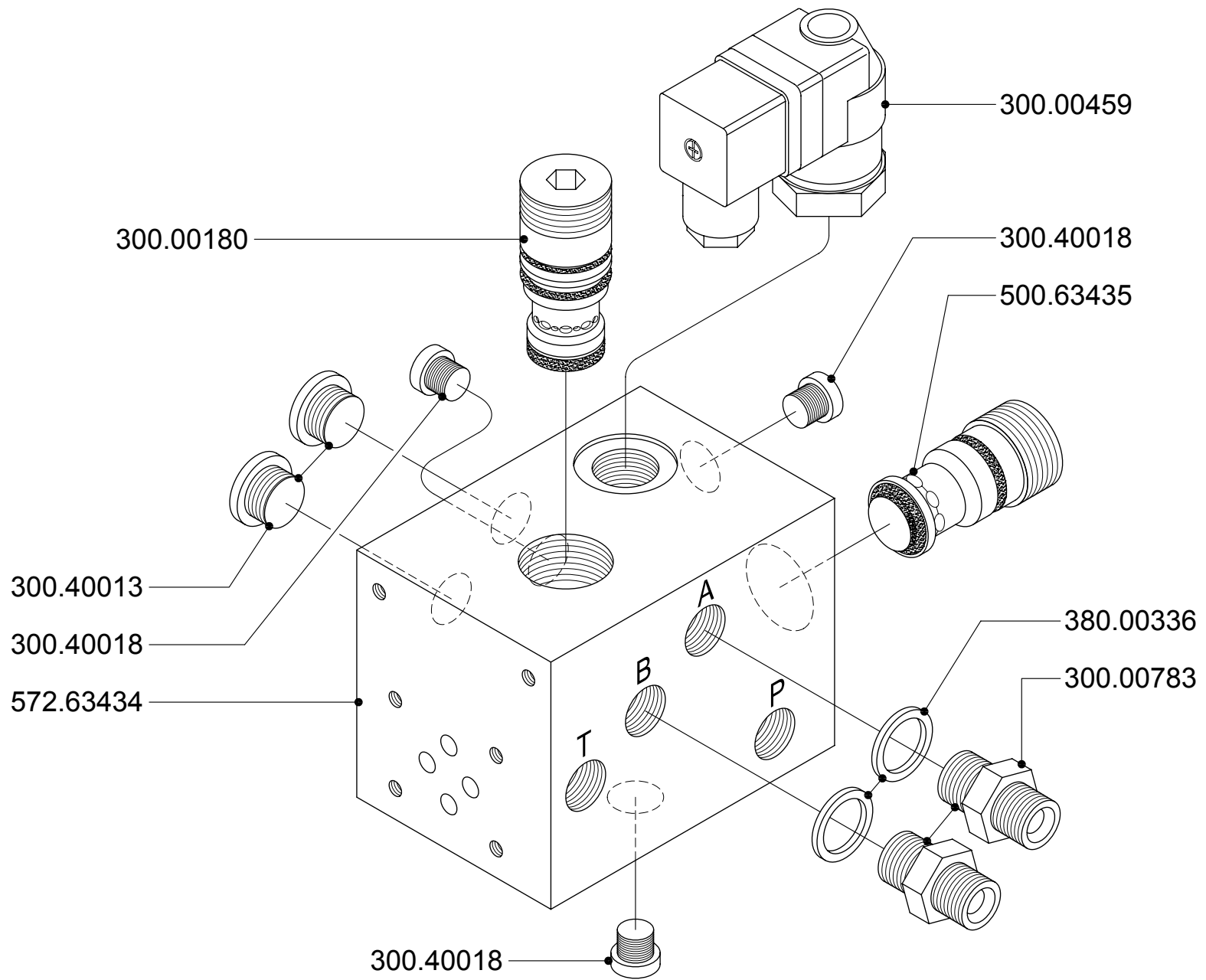
592.64225 - KIT POTENZIOMETRO PER RETRO ACES SENZA DISPLAY
 592.64225 - ACES BUCKET SYSTEM POTENTIOMETER WITHOUT DISPLAY ASSEMBLY

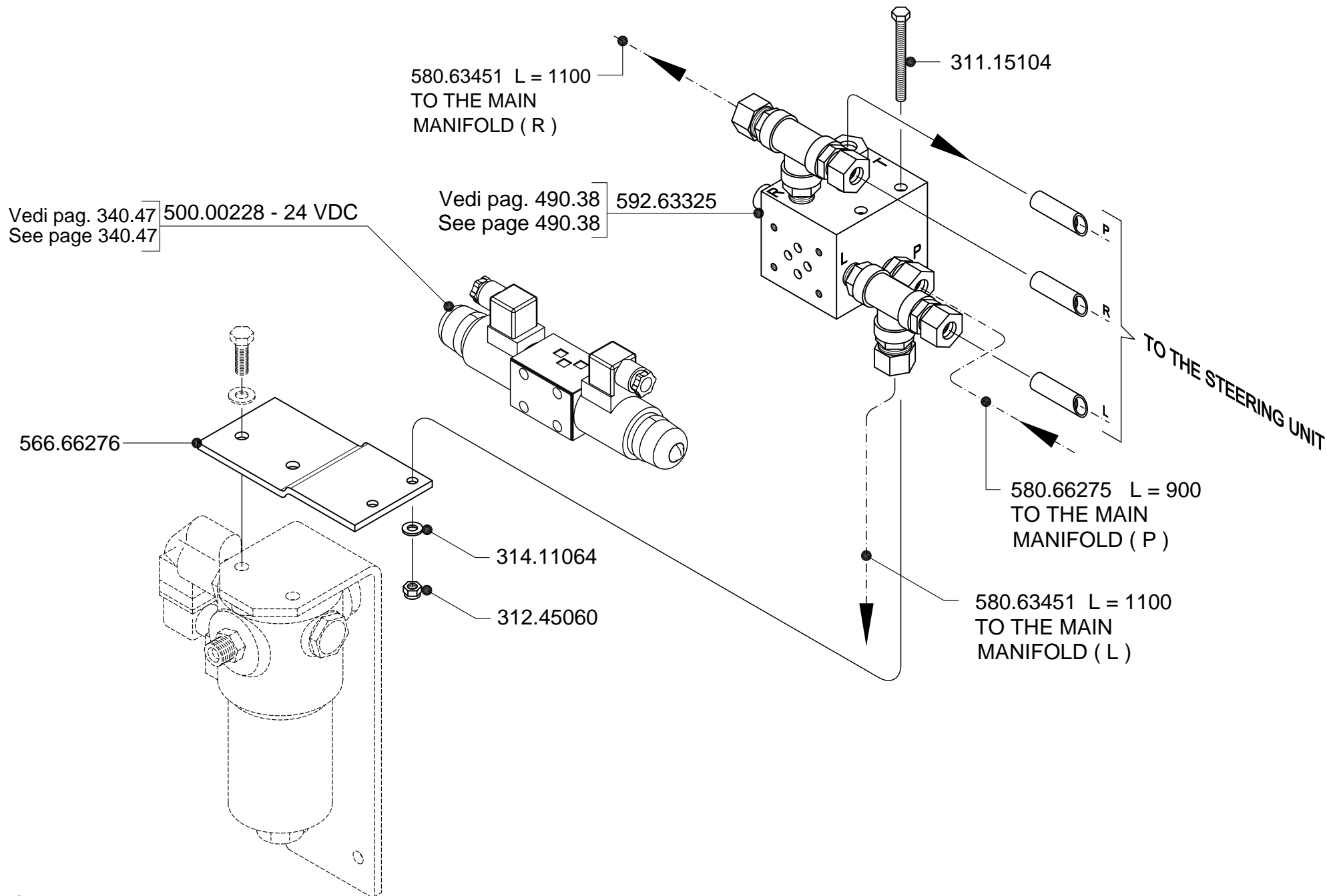


599.02955 - Kit presa acqua a mare
599.02955 - Engine water intake kit

400.42/01







595.64211 - BASE COMPLETA PER STERZO DANFOSS ed EE/HY
595.64211 - COMPLETE BASE FOR DANFOSS and EE/HY STEERING

400.45/01

Vedi pag. 340.47
See page 340.47

500.00228 - 24 VDC

580.16441 L = 800
TO THE MAIN
MANIFOLD (R - T)

311.15104

592.63444
Vedi pag. 490.39
See page 490.39

566.66276

580.66275 L = 900
TO THE MAIN
MANIFOLD (L)

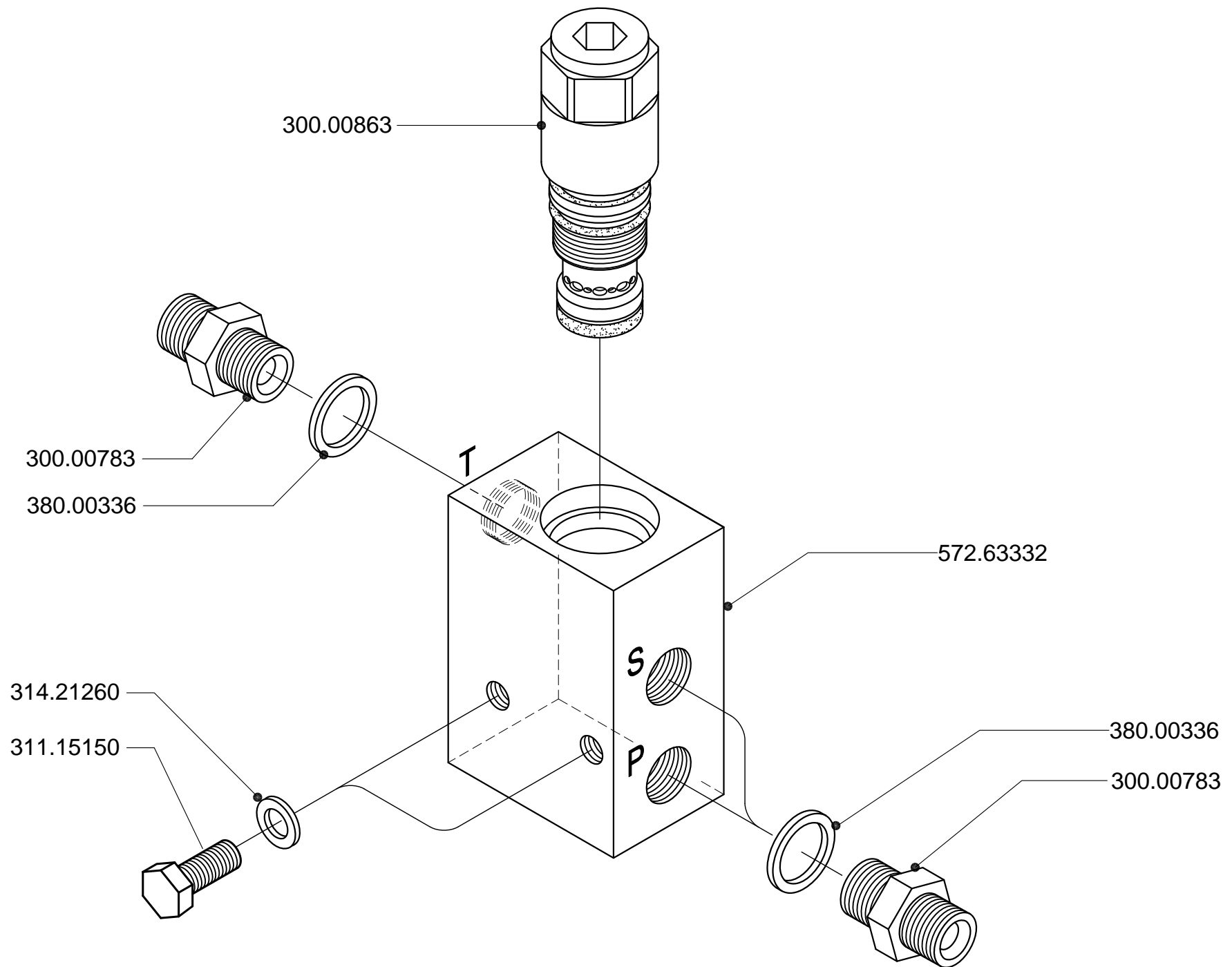
314.11064

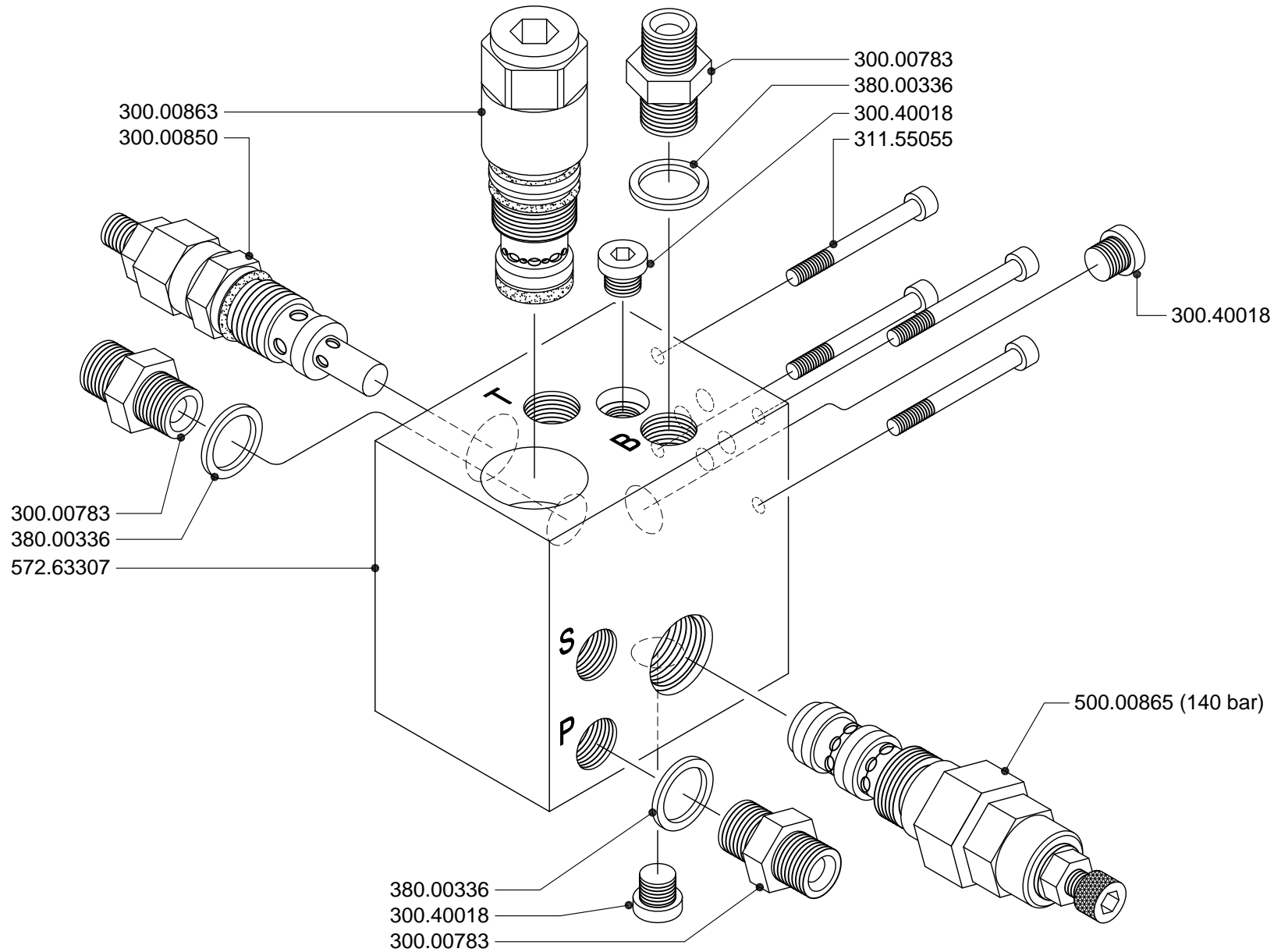
312.45060

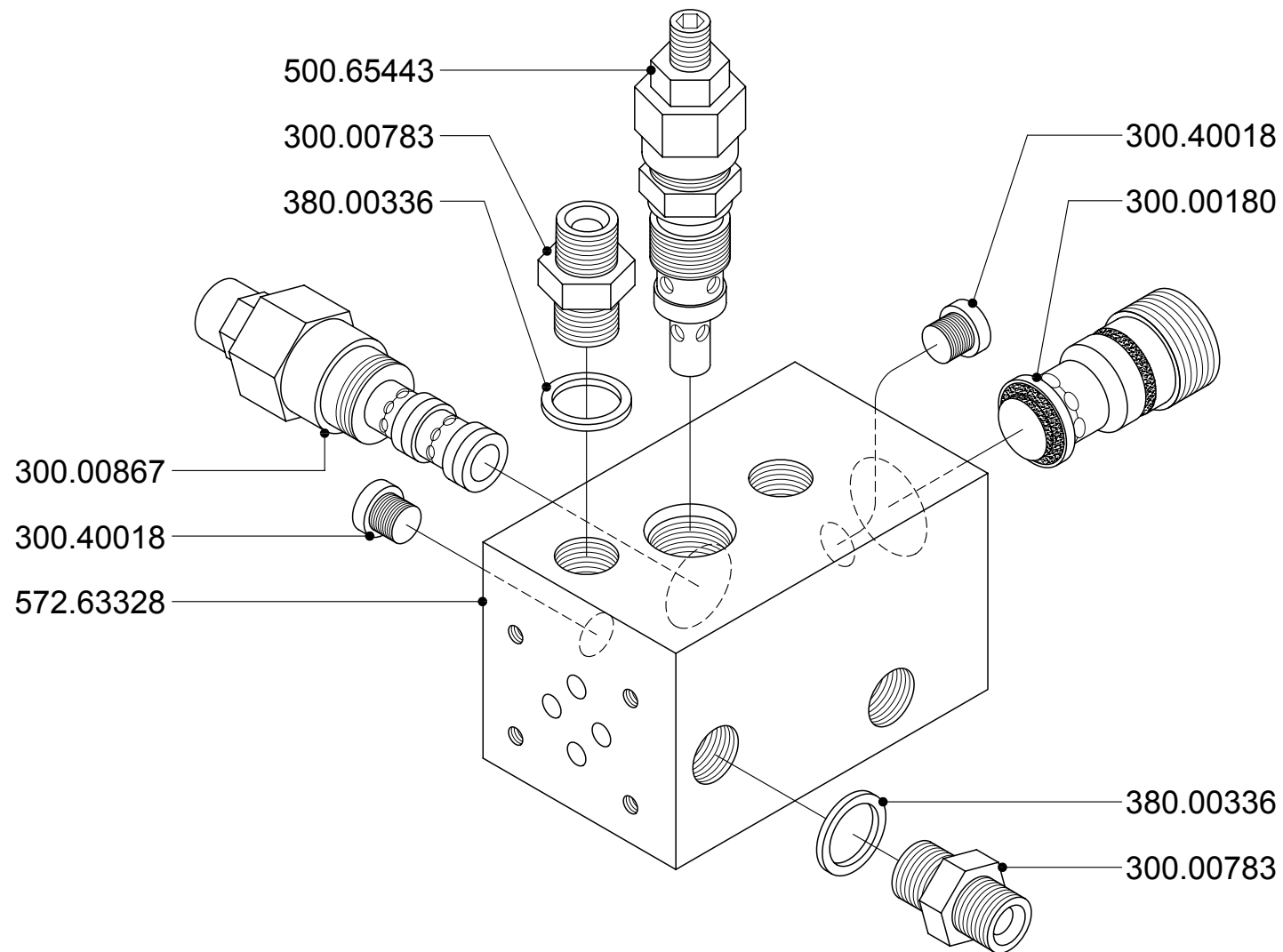


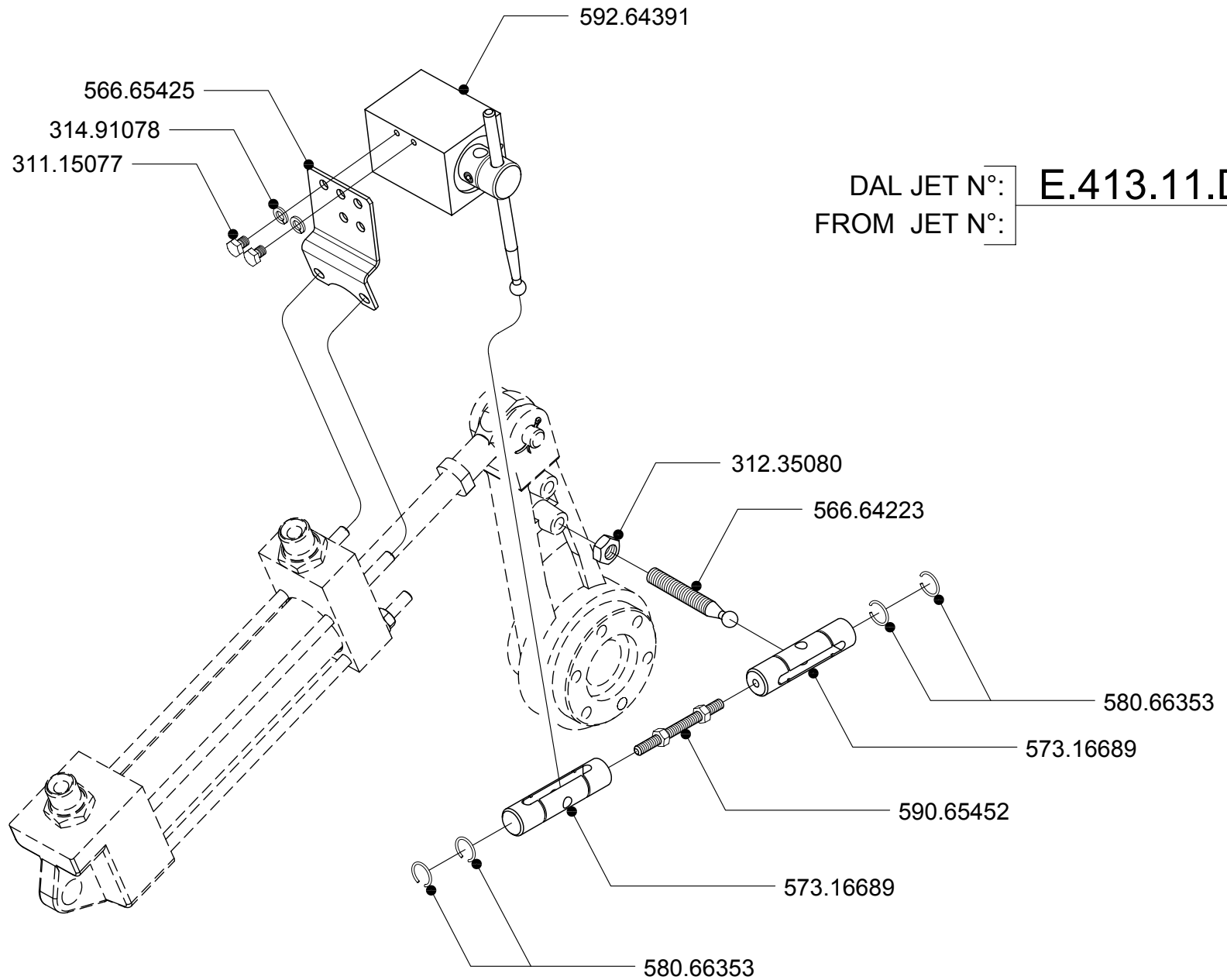
595.64210 - BASE COMPLETA SOLO PER STERZO EE/HY
595.64210 - COMPLETE BASE FOR EE/HY STEERING ONLY

400.46/01



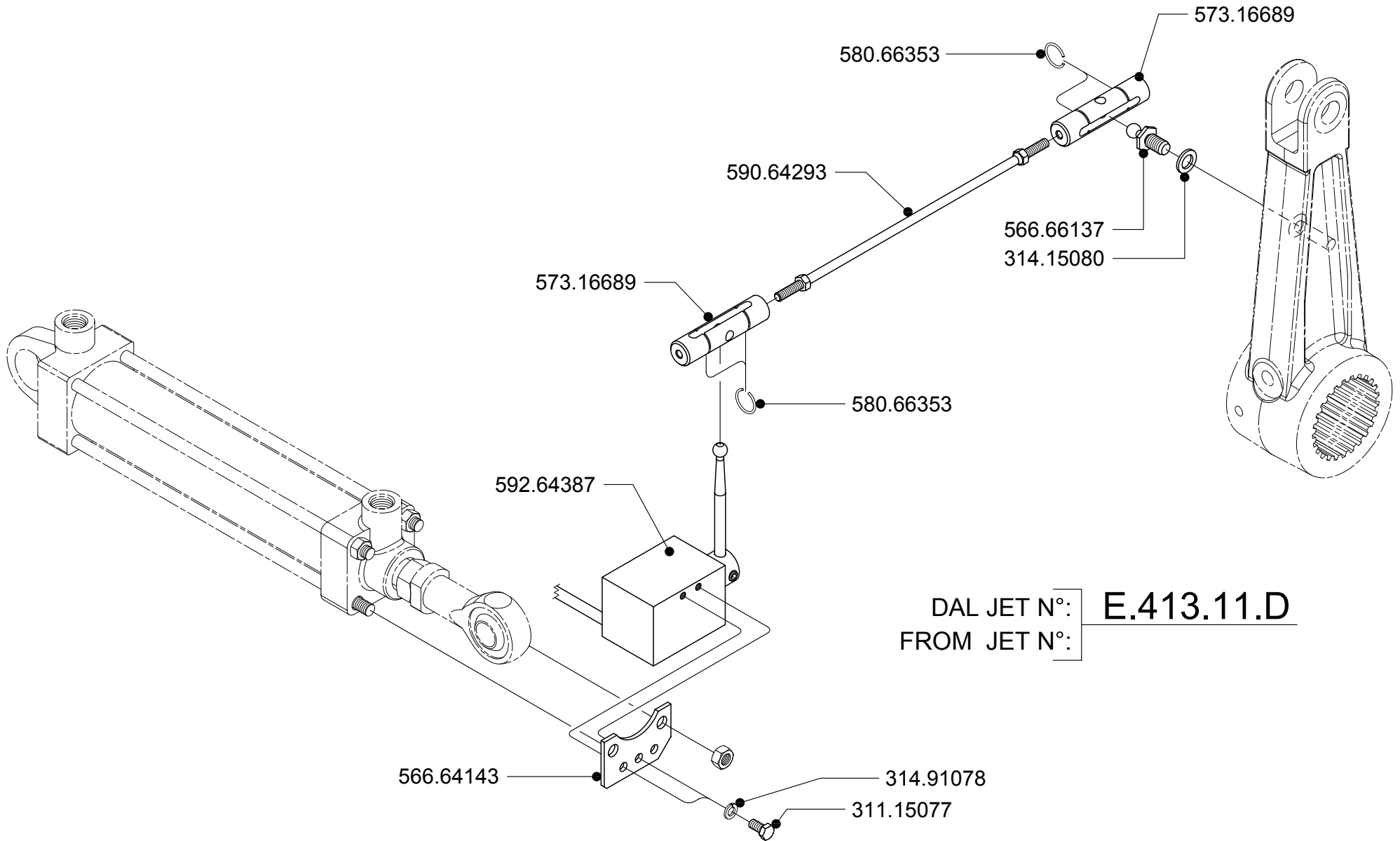






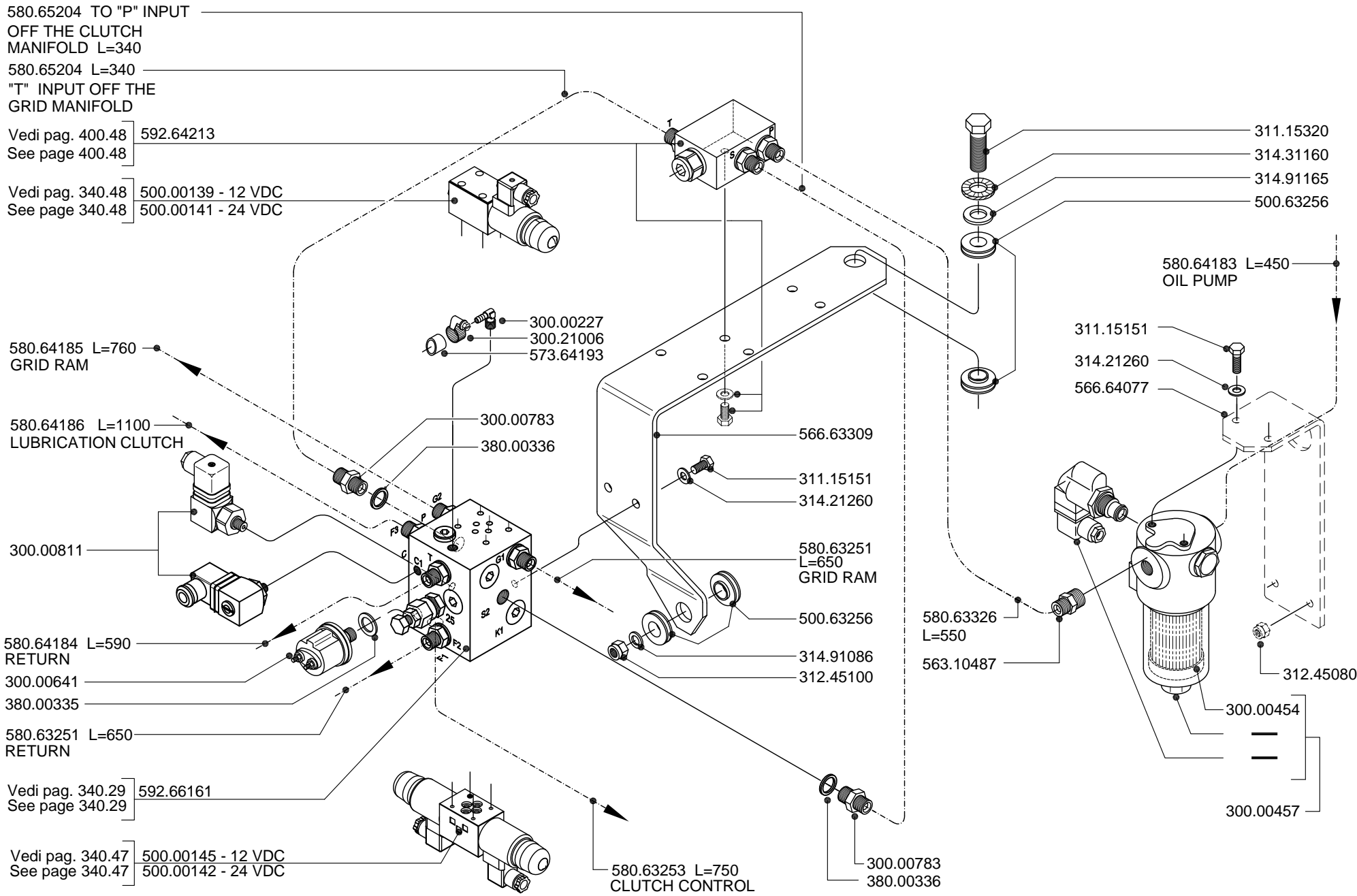
592.64392 - KIT POTENZIOMETRO STERZO ACES HALL
 592.64392 - ACES HALL STEERING SENDER ASSEMBLY

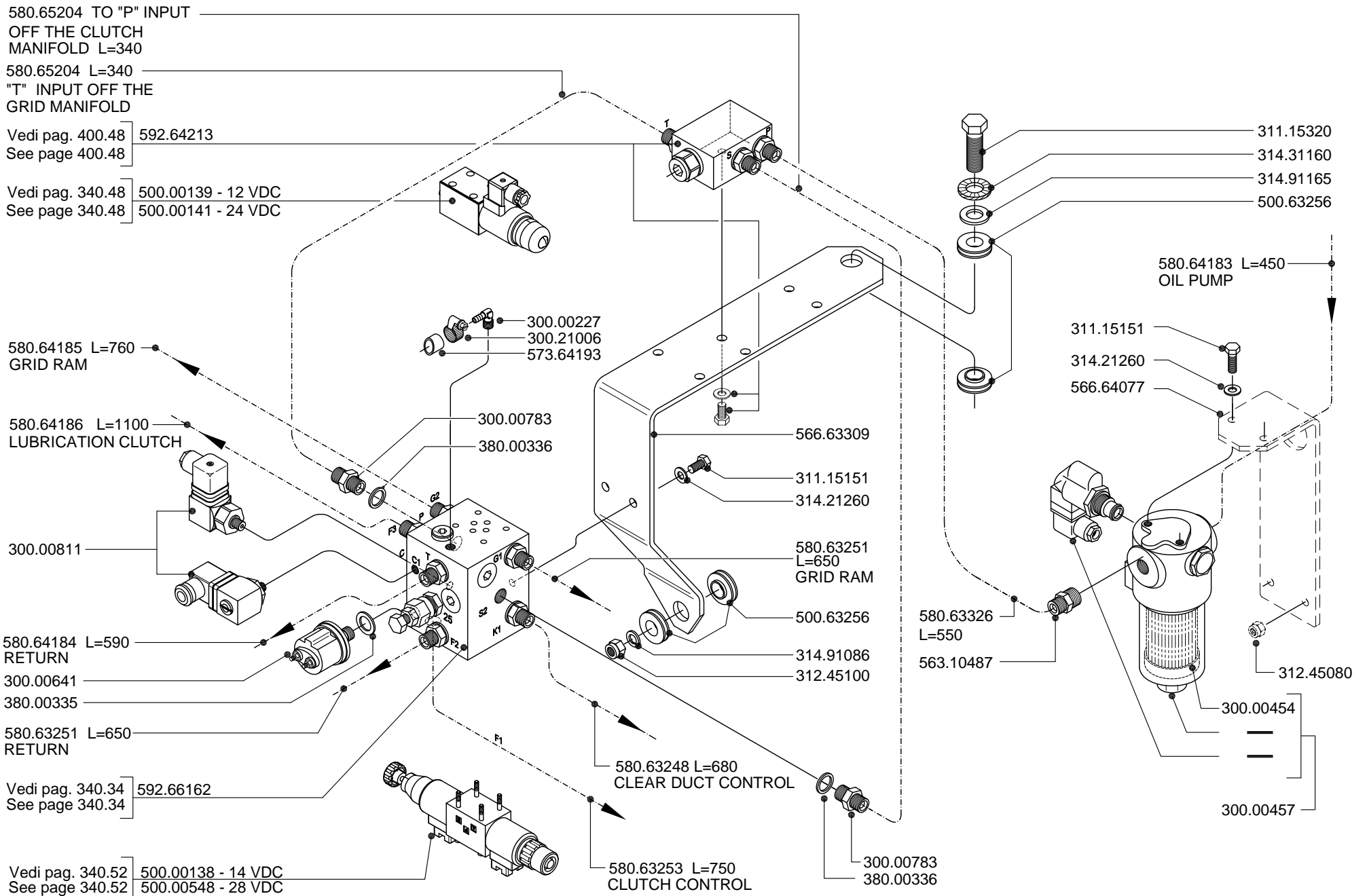
400.51/02

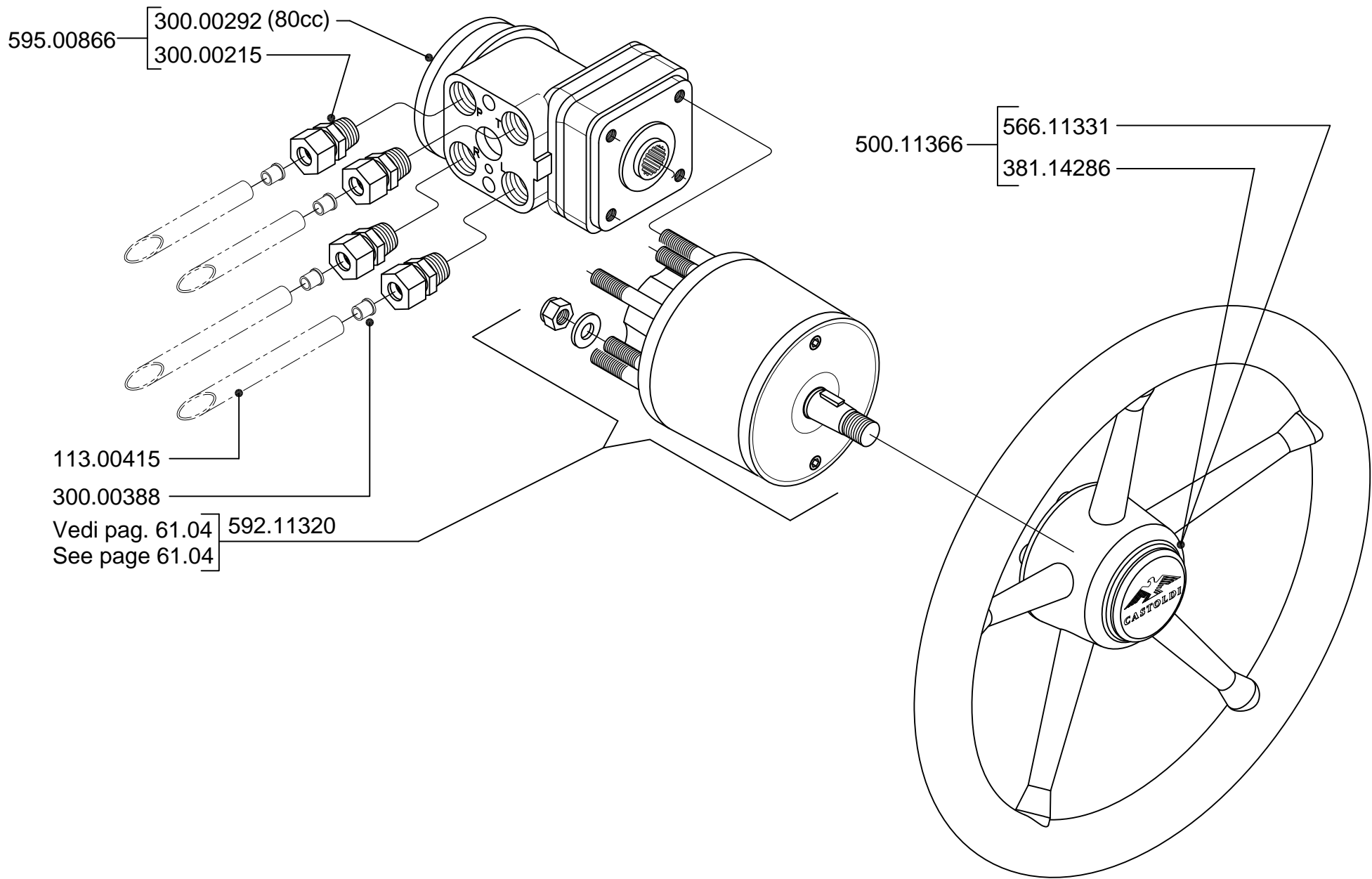


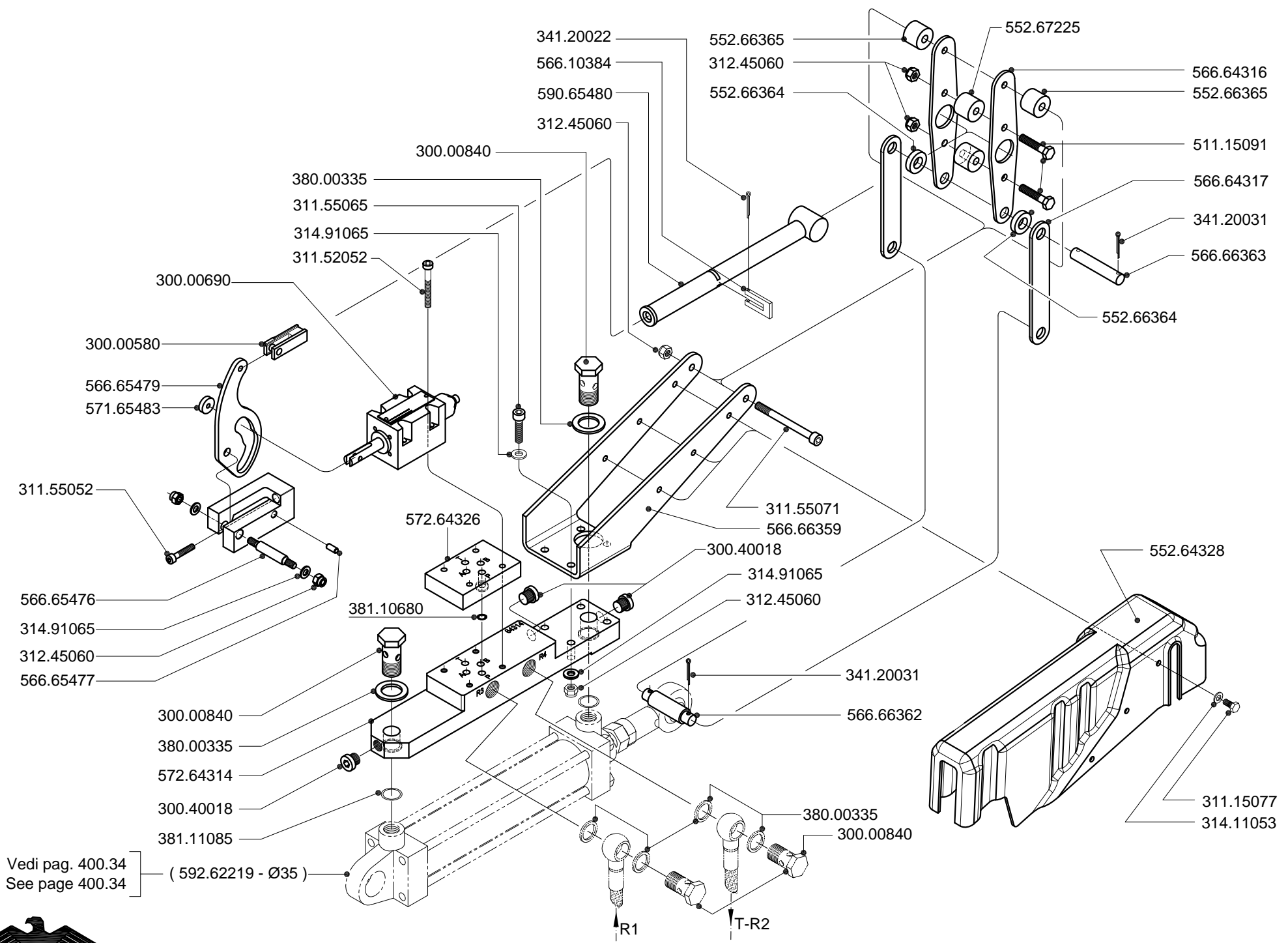
592.64390 - KIT POTENZIOMETRO RETRO ACES HALL
 592.64390 - ACES HALL REVERSING SYSTEM SENDER ASSEMBLY

400.52/01









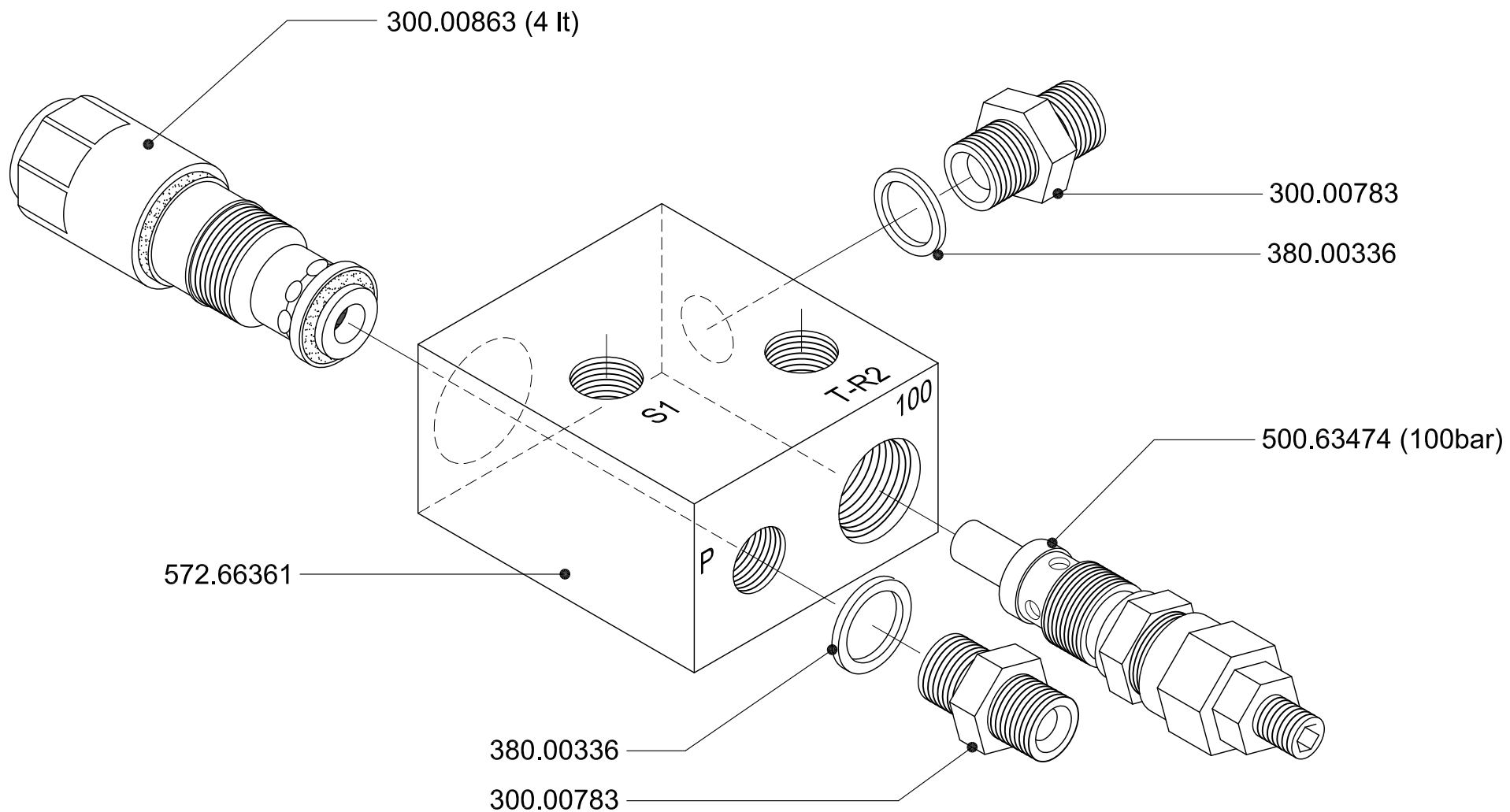
Vedi pag. 400.34
See page 400.34

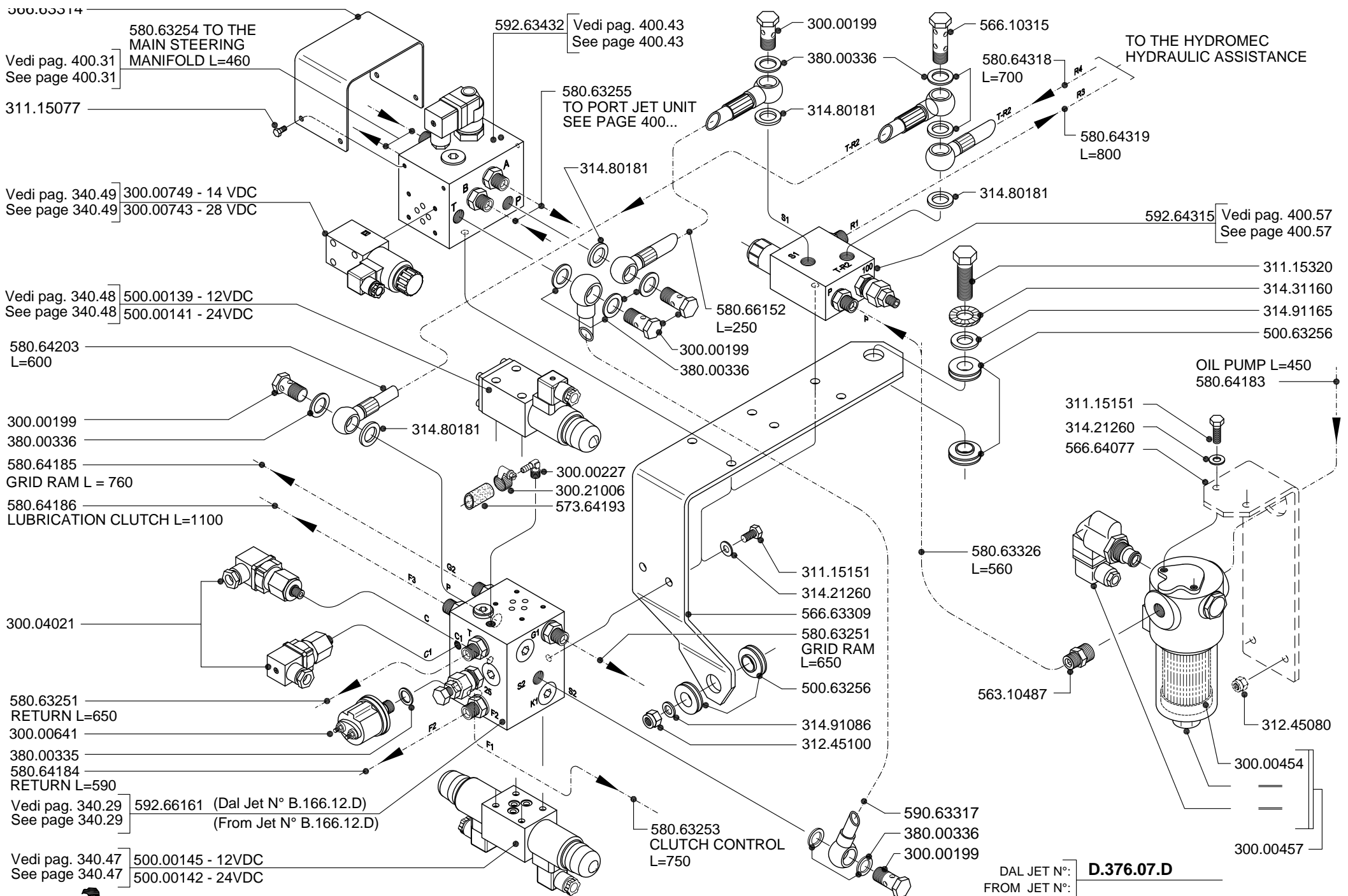
(592.62219 - Ø35)

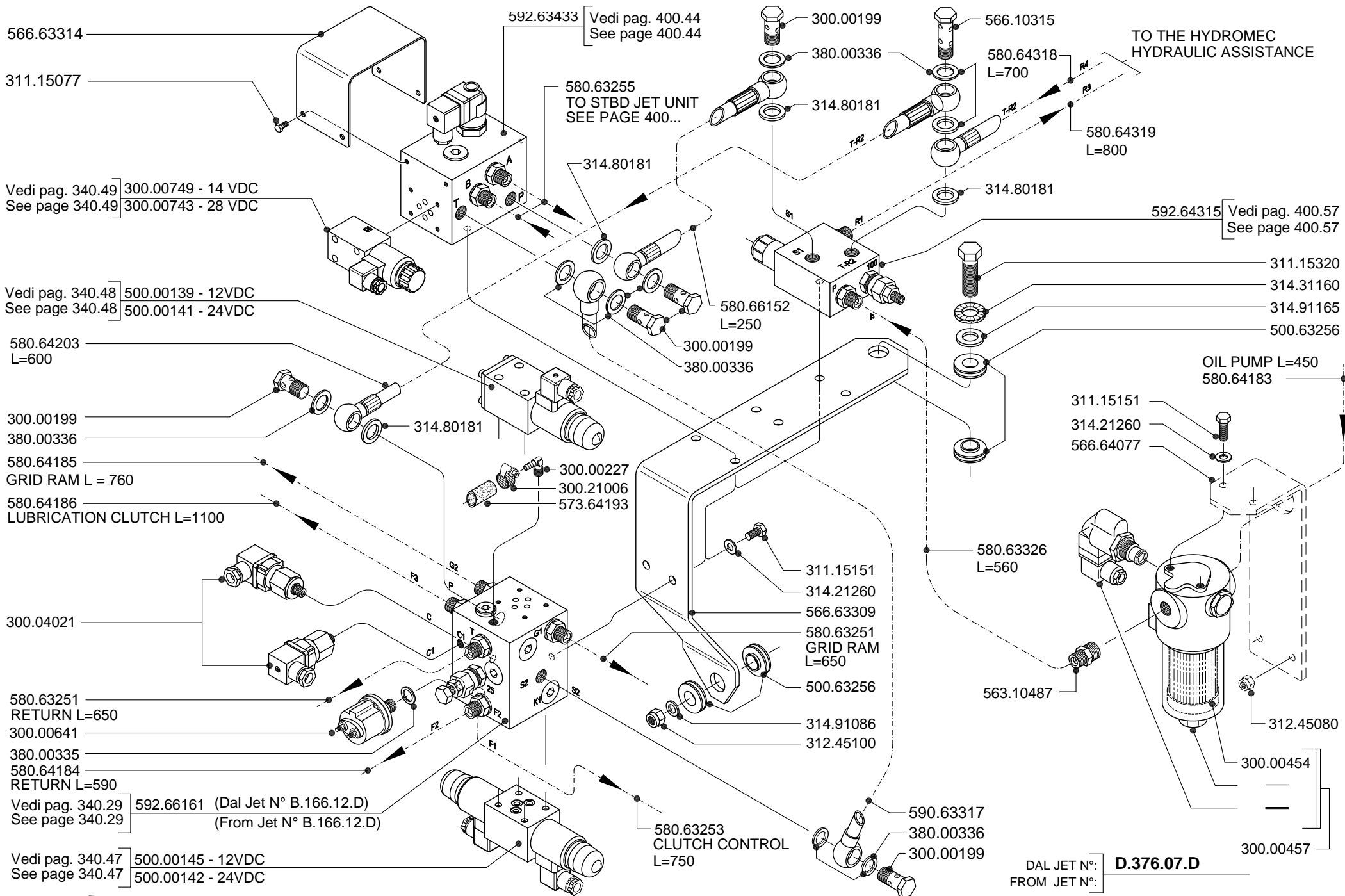


592.64313 - SERVOCOMANDO HYDROMECH
592.64313 - HYDROMECH HYDRAULIC ASSISTANCE

400.56/03







566.63314

311.15077

Vedi pag. 340.49
See page 340.49

300.00749 - 14 VDC
300.00743 - 28 VDC

Vedi pag. 340.48
See page 340.48

500.00139 - 12VDC
500.00141 - 24VDC

580.64203
L=600

300.00199
380.00336

580.64185
GRID RAM L = 760

580.64186
LUBRICATION CLUTCH L=1100

300.04021

580.63251
RETURN L=650

300.00641

380.00335

580.64184
RETURN L=590

Vedi pag. 340.29
See page 340.29

592.66161 (Dal Jet N° B.166.12.D)
(From Jet N° B.166.12.D)

Vedi pag. 340.47
See page 340.47

500.00145 - 12VDC
500.00142 - 24VDC

592.63433
Vedi pag. 400.44
See page 400.44

580.63255
TO STBD JET UNIT
SEE PAGE 400...

300.00199
380.00336

314.80181

314.80181

314.80181

314.80181

580.66152
L=250

300.00199
380.00336

300.00227
300.21006
573.64193

311.15151
314.21260

566.63309

580.63251
GRID RAM
L=650

500.63256

314.91086
312.45100

580.63326
L=560

590.63317

380.00336
300.00199

580.63253
CLUTCH CONTROL
L=750

311.15151
314.21260
566.63309

580.63251
GRID RAM
L=650

500.63256

314.91086
312.45100

590.63317
380.00336
300.00199

566.10315

580.64318
L=700

580.64319
L=800

314.80181

314.80181

314.80181

314.80181

314.80181

314.80181

314.80181

314.80181

314.80181

314.80181

314.80181

314.80181

314.80181

314.80181

314.80181

314.80181

314.80181

314.80181

314.80181

TO THE HYDROMEC
HYDRAULIC ASSISTANCE

592.64315
Vedi pag. 400.57
See page 400.57

311.15320

314.31160

314.91165

500.63256

OIL PUMP L=450
580.64183

311.15151

314.21260

566.64077

311.15151
314.21260
566.64077

311.15151
314.21260
566.64077

311.15151
314.21260
566.64077

311.15151
314.21260
566.64077

311.15151
314.21260
566.64077

311.15151
314.21260
566.64077

311.15151
314.21260
566.64077

311.15151
314.21260
566.64077

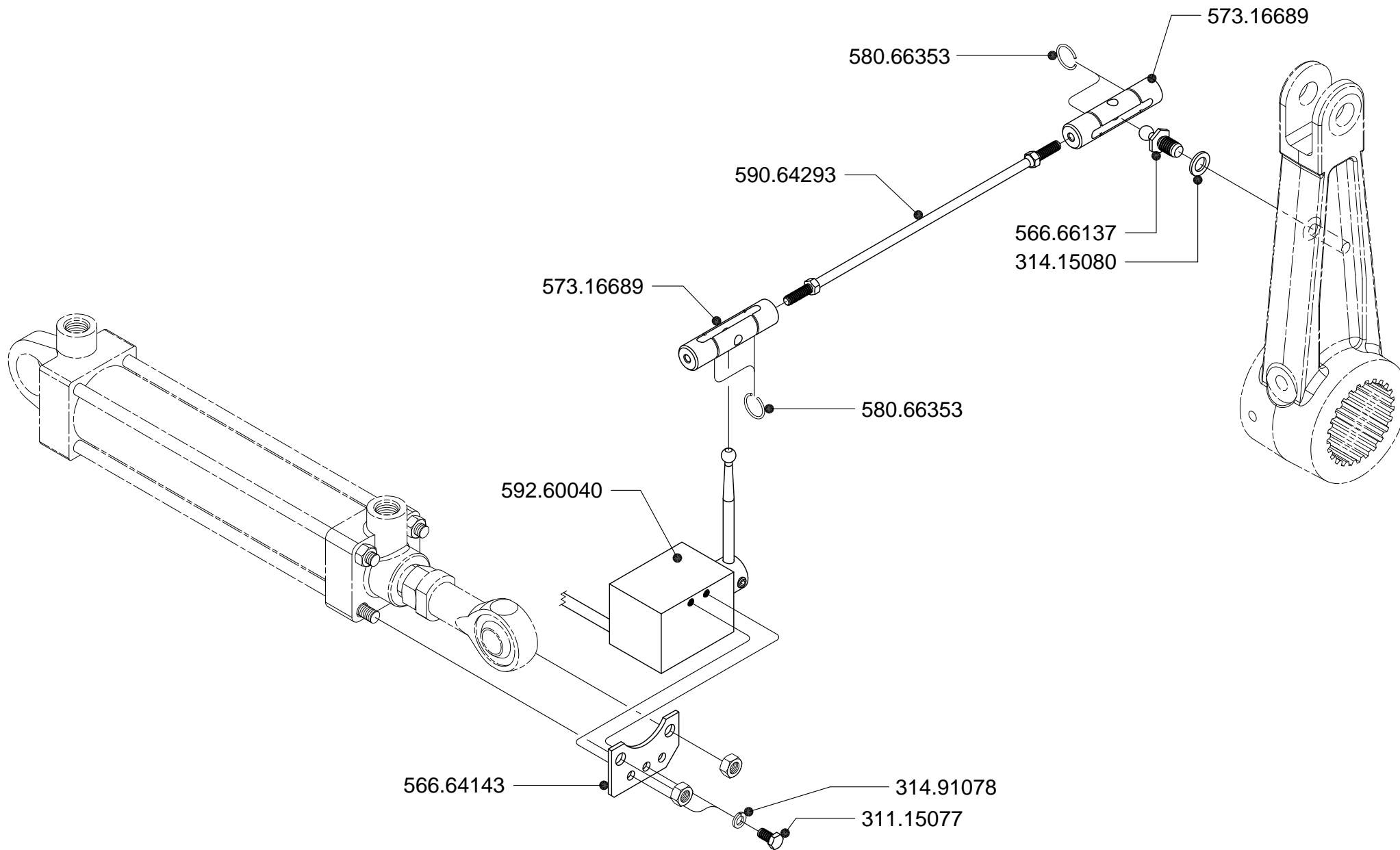
311.15151
314.21260
566.64077

311.15151
314.21260
566.64077

311.15151
314.21260
566.64077

DAL JET N°: **D.376.07.D**
FROM JET N°:





Vedi pag. 340.47 500.00225 - 12 VDC
See page 340.47 500.00228 - 24 VDC

580.63253
L=750 STEERING RAM
580.63254
L=460 STEERING RAM
580.63245

Vedi pag. 400.64 592.60033
See page 400.64

Vedi pag. 340.48 500.00139 - 12VDC
See page 340.48 500.00141 - 24VDC

300.00199
380.00336
580.64185
GRID RAM L=590
580.64186
LUBRICATION CLUTCH L=1100

300.40018

300.04021

580.63251
RETURN L=650
300.00641
380.00335
580.64184
RETURN L=590

Vedi pag. 340.29 592.66161 (Dal Jet N° B.166.12.D)
See page 340.29 (From Jet N° B.166.12.D)

Vedi pag. 340.47 500.00145 - 12 VDC
See page 340.47 500.00142 - 24 VDC

300.00571

300.00199
380.00336
580.63252
REV DEFLECTOR
RAM L=750
314.80181
580.66153

580.63253
REV DEFLECTOR RAM L=750

300.00151 - 12VDC
300.00150 - 24VDC
Vedi pag. 340.50
See page 340.50

592.64446
Vedi pag. 400.63
See page 400.63

590.63315
380.00336
300.00199

OIL PUMP L=450
580.64183

311.15151
314.21260
566.64077

300.00227
300.21006
573.64193

311.15151
314.21260
566.63309
580.63251
GRID RAM
L=650
500.63256

580.63326
L=590

314.91086
312.45100

380.00336
300.00783
580.63245

580.63253
CLUTCH CONTROL L=750

300.00454

300.00457

DAL JET N°: E.413.11.D
FROM JET N°:



INSTALLAZIONE SINGOLA o DOPPIA STERZO E RETRO ACES (VERSIONE STANDARD)
SINGLE or TWIN INSTALLATION WITH ACES STEERING AND BUCKET (STANDARD VERSION)

400.61/01

Vedi pag. 340.47 500.00225 - 12 VDC
See page 340.47 500.00228 - 24 VDC

580.63253
L=750 STEERING RAM

580.63254
L=460 STEERING RAM

580.63245

Vedi pag. 400.64 592.60033
See page 400.64

Vedi pag. 340.48 500.00139 - 12VDC
See page 340.48 500.00141 - 24VDC

300.00199
380.00336

580.64185
GRID RAM L=590

580.64186
LUBRICATION CLUTCH L=1100

300.40018

300.04021

580.63251
RETURN L=650

300.00641
380.00335

580.64184
RETURN L=590

Vedi pag. 340.34 592.66162 (Dal Jet N° B.166.12.D)
See page 340.34 (From Jet N° B.166.12.D)

Vedi pag. 340.52 500.00138 - 14 VDC
See page 340.52 500.00548 - 28 VDC

300.00571

300.00199
380.00336

580.63252
REV DEFLECTOR
RAM L=750

314.80181

580.66153

590.63315
380.00336

300.00199

300.00227
300.21006
573.64193

311.15151
314.21260

566.63309

580.63251
GRID RAM
L=650

500.63256

314.91086
312.45100

580.63326
L=590

563.10487

380.00336
300.00783

580.63245

580.63253
CLUTCH CONTROL L=750

580.63248
CLEAR DUCT CONTROL L=680

580.63253
REV DEFLECTOR RAM L=750

300.00151 - 12VDC
300.00150 - 24VDC

Vedi pag. 340.50
See page 340.50

592.64446
Vedi pag. 400.63
See page 400.63

311.15320

314.31160

314.91165

500.63256

OIL PUMP L=450
580.64183

311.15151
314.21260

566.64077

312.45080

300.00454

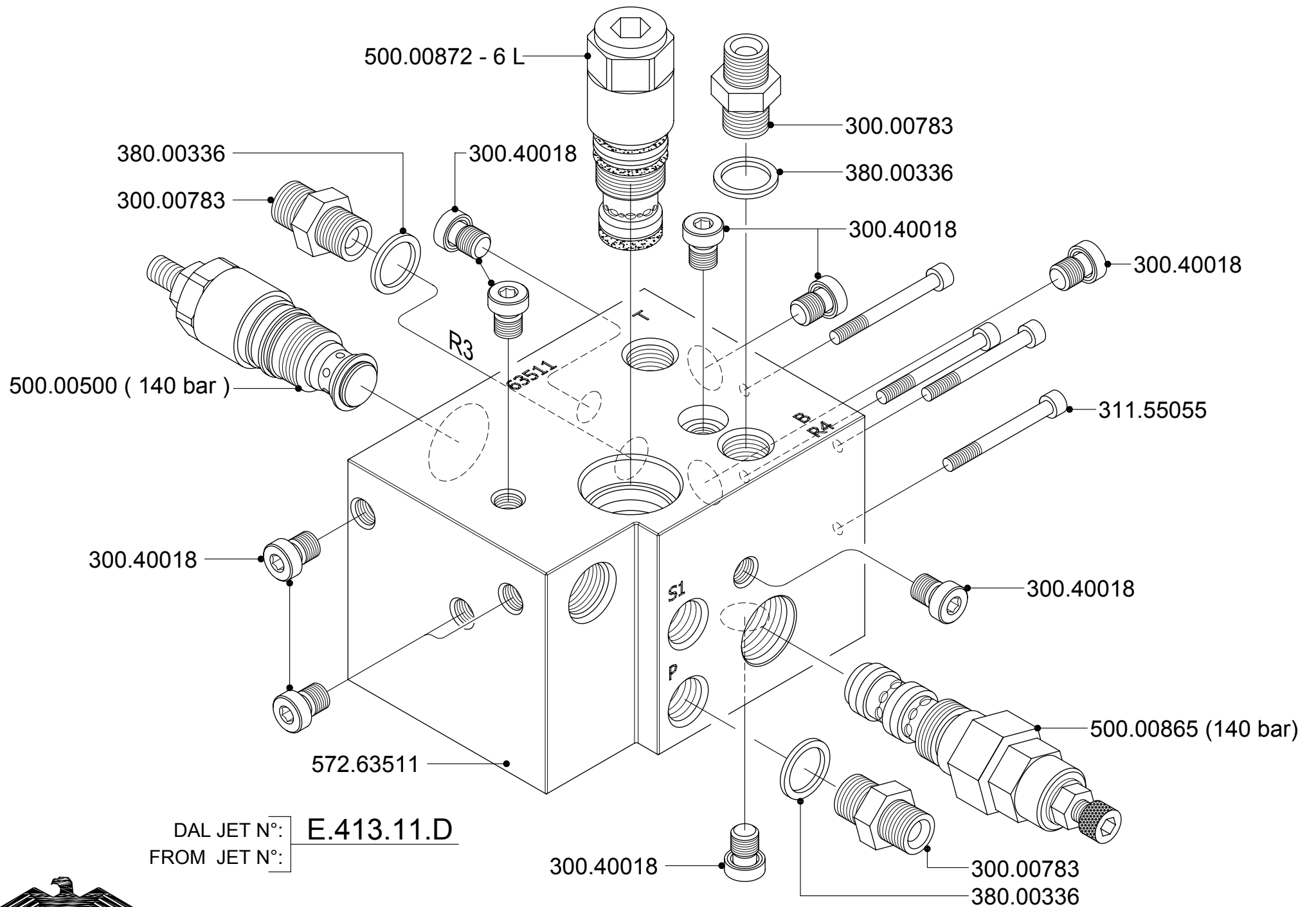
300.00457



INSTALLAZIONE SINGOLA o DOPPIA STERZO E RETRO ACES (VERSIONE CLEAR-DUCT)
SINGLE or TWIN INSTALLATION WITH ACES STEERING AND BUCKET (CLEAR-DUCT VERSION)

DAL JET N°: **E.413.11.D**
FROM JET N°:

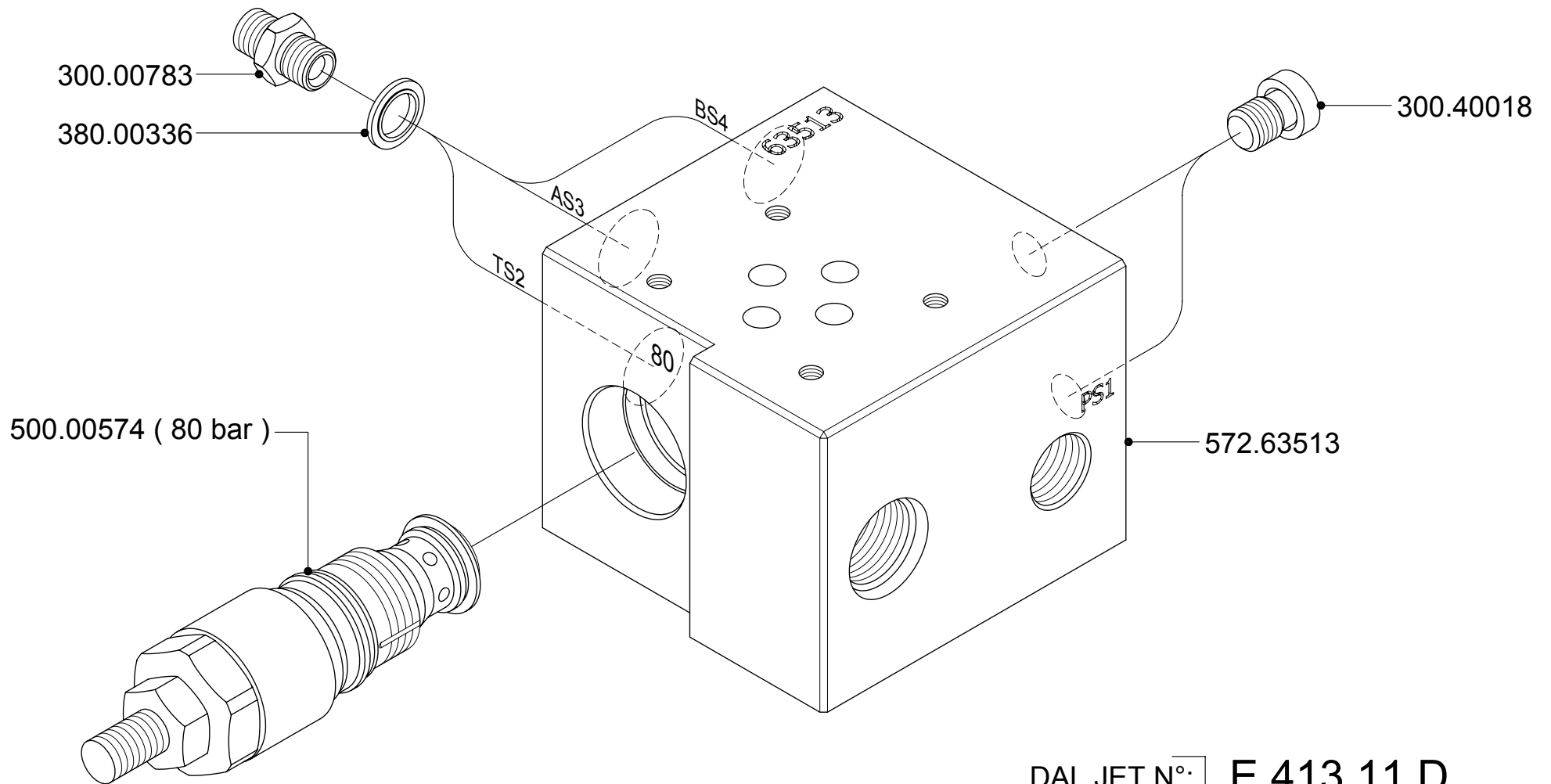
400.62/01



DAL JET N°: **E.413.11.D**
 FROM JET N°:

592.64446 - BASE COMPLETA PER COM. DEFLETTORE ACES 140 bar
 592.64446 - 140 bar ACES BUCKET CONTROL BASE ASSEMBLY



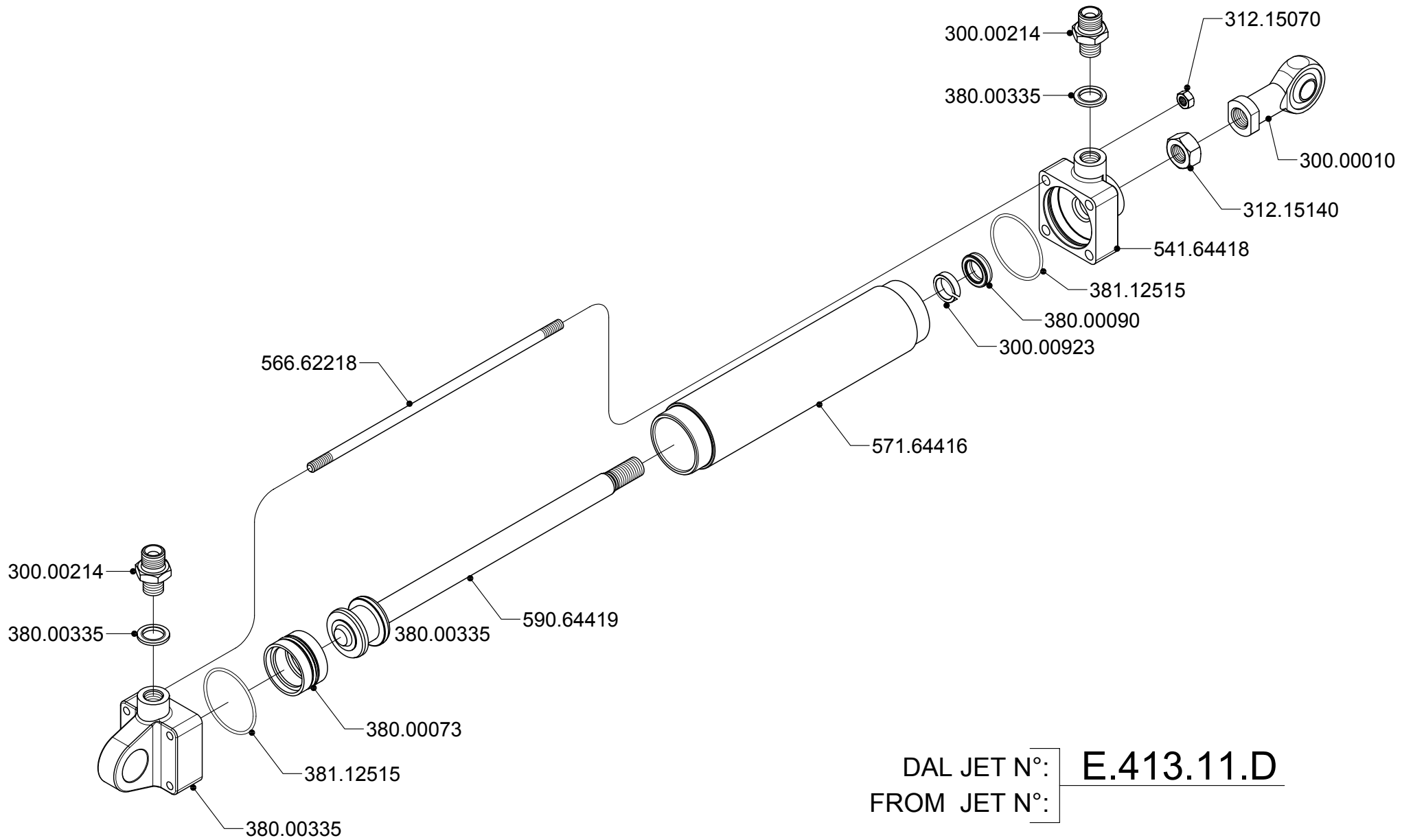


DAL JET N°: E.413.11.D
 FROM JET N°:



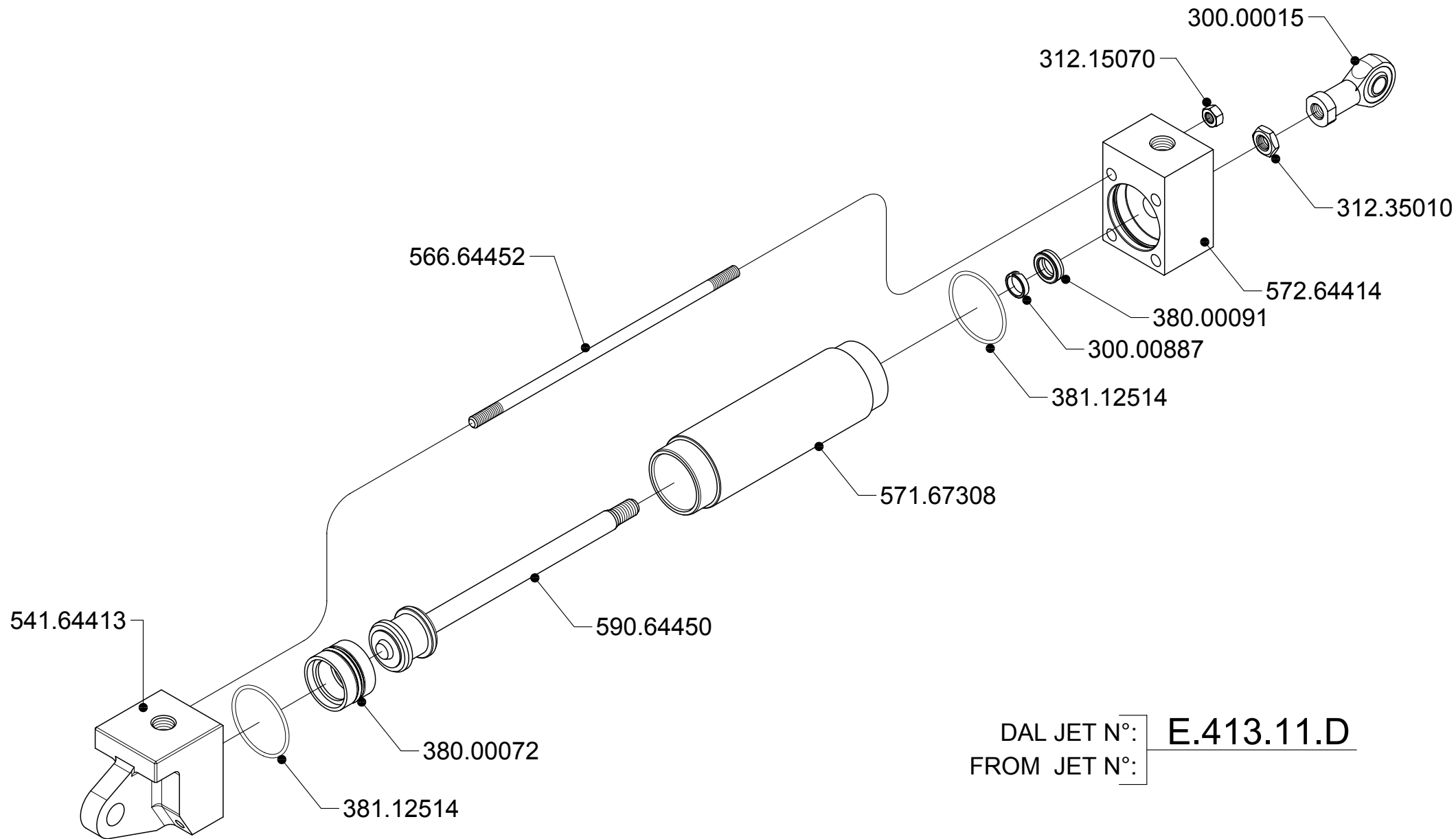
592.60033 - BASE COMPLETA PER COM. STERZO ACES 80 bar
 592.60033 - 80 bar ACES STEERING CONTROL BASE ASSEMBLY

400.64/01



592.64415 - CILINDRO RETRO 40/16 CORSA 200
 592.64415 - REVERSING SYSTEM RAM 40/16 STROKE 200

400.65/01

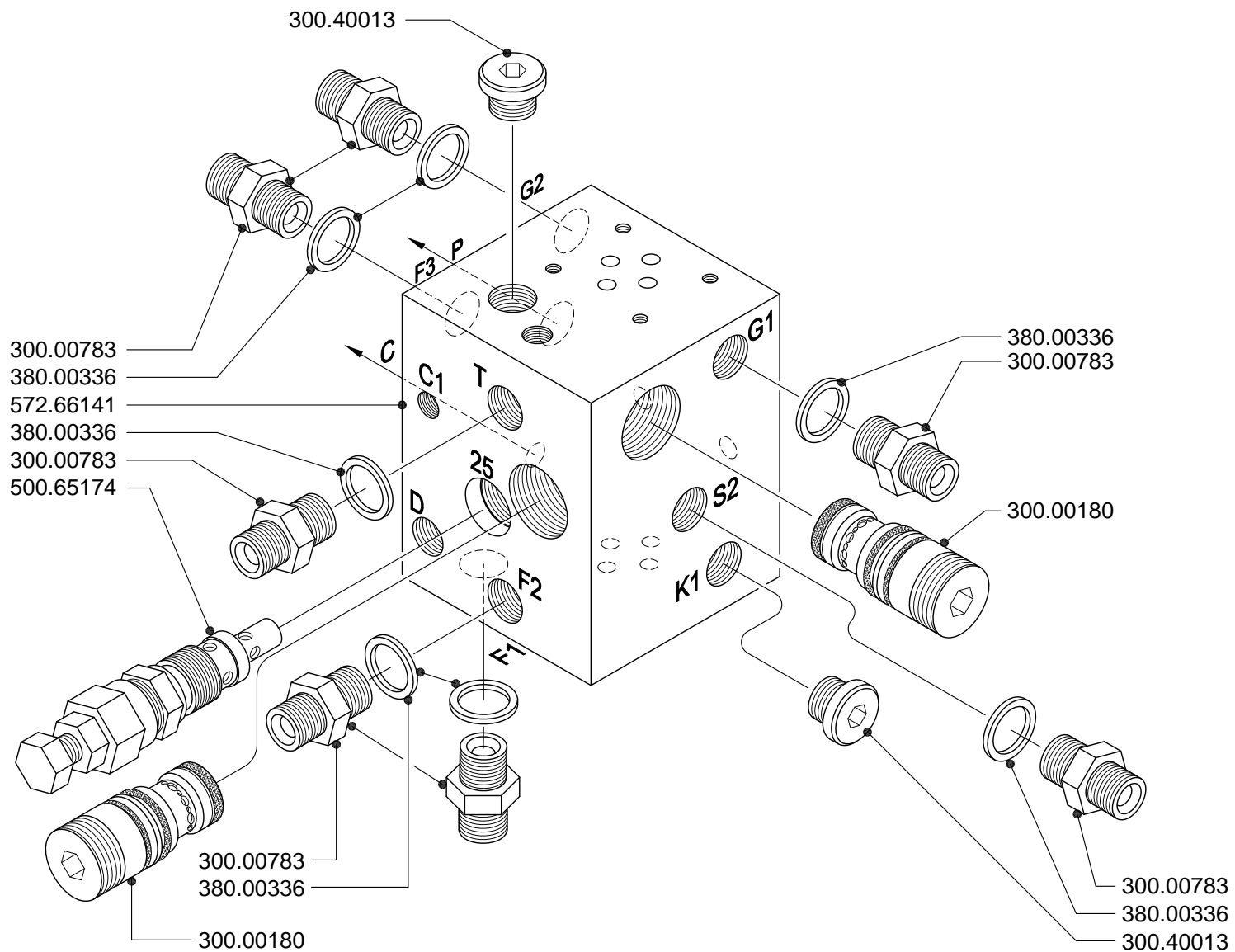


DAL JET N°: E.413.11.D
 FROM JET N°: _____



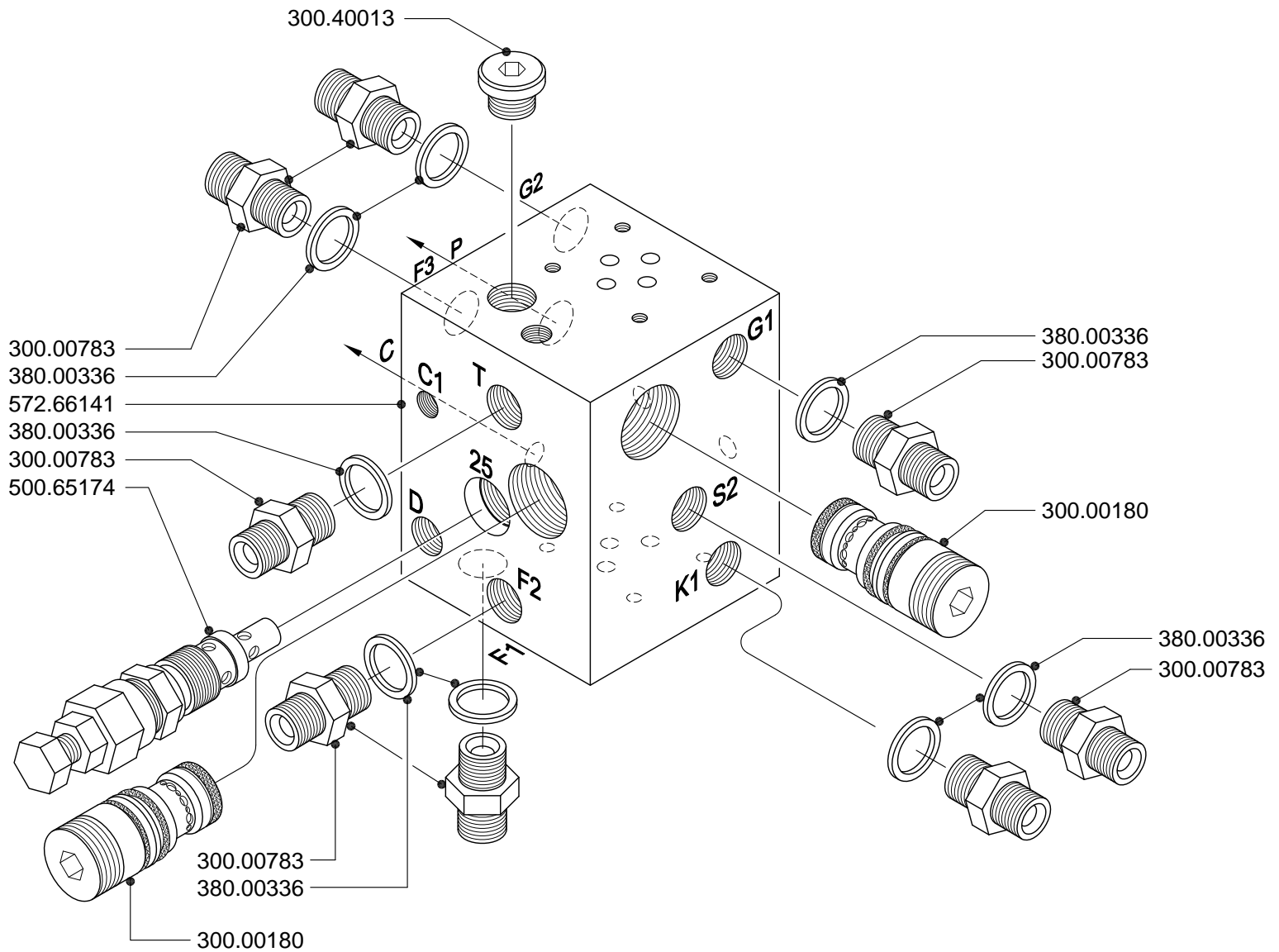
592.64412 - CILINDRO STERZO 35/12 CORSA 126
 592.64412 - RAM 35/12 STROKE 126 ASSEMBLY

400.66/01

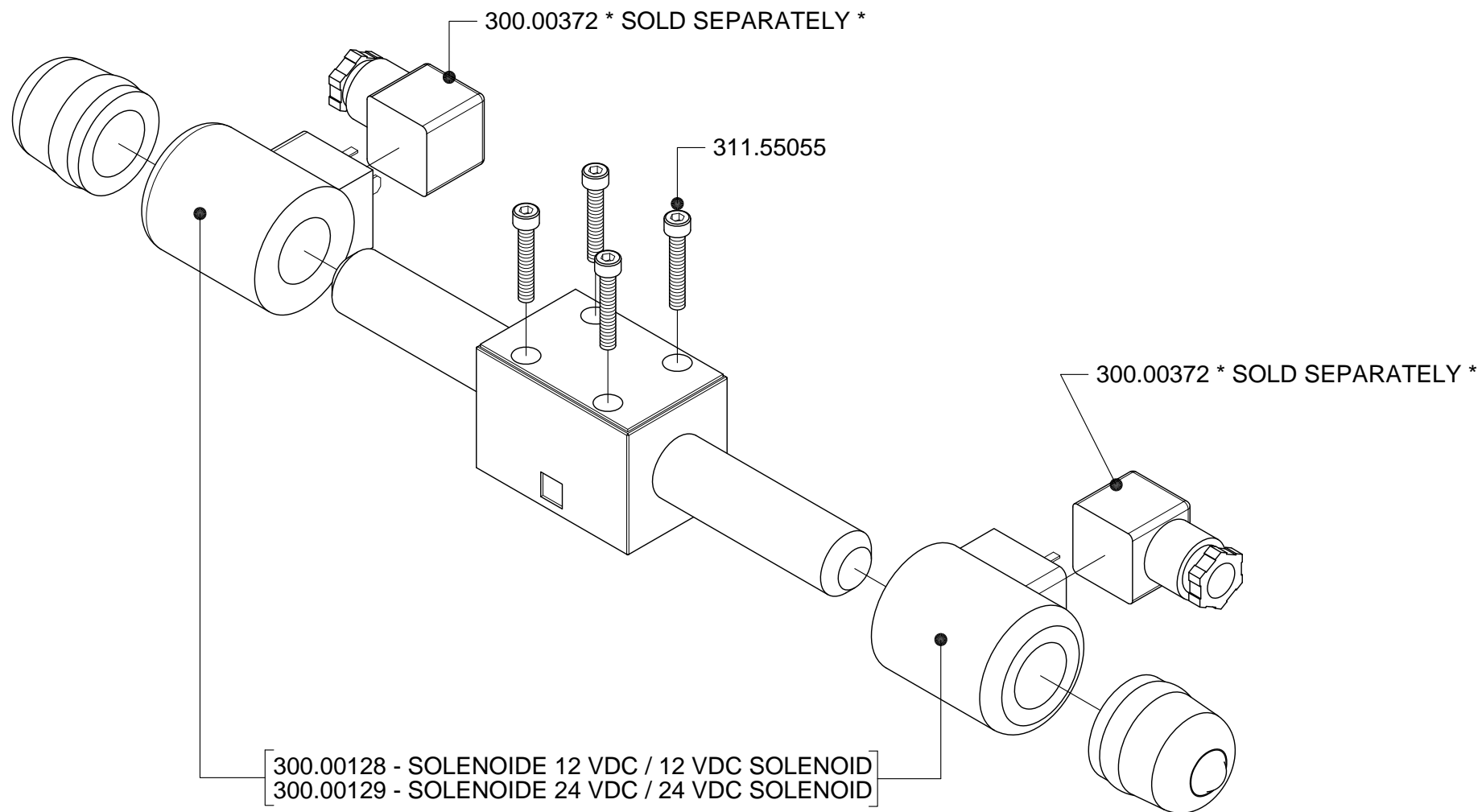


592.66161 - BASE COMPLETA COMANDO FRIZIONE E GRIGLIA (VERSIONE STANDARD)
 592.66161 - HYDRAULIC CLUTCH AND GRID BASE ASSEMBLY (STANDARD VERSION)

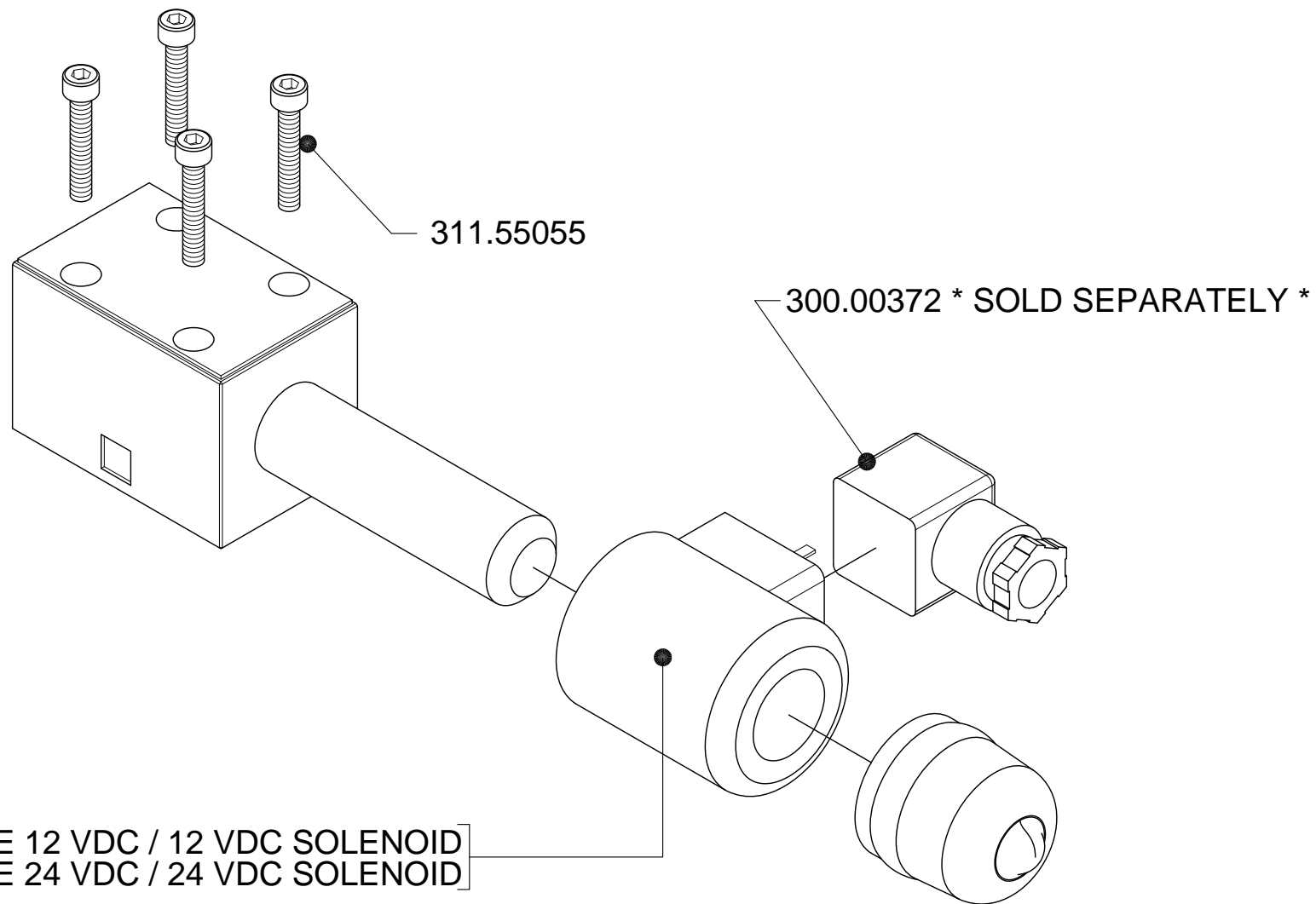
340.29/02



592.66162 - BASE COMPLETA COMANDO FRIZIONE, CLEAR-DUCT E GRIGLIA
 592.66162 - HYDRAULIC CLUTCH, CLEAR-DUCT AND GRID BASE ASSEMBLY



FRIZIONE CLUTCH	[500.00145 - DHE 12V SOLENOID-VALVE ASSEMBLY 500.00142 - DHE 24V SOLENOID-VALVE ASSEMBLY
STERZO STEERING	[500.00225 - DHE 12V SOLENOID-VALVE ASSEMBLY 500.00228 - DHE 24V SOLENOID-VALVE ASSEMBLY

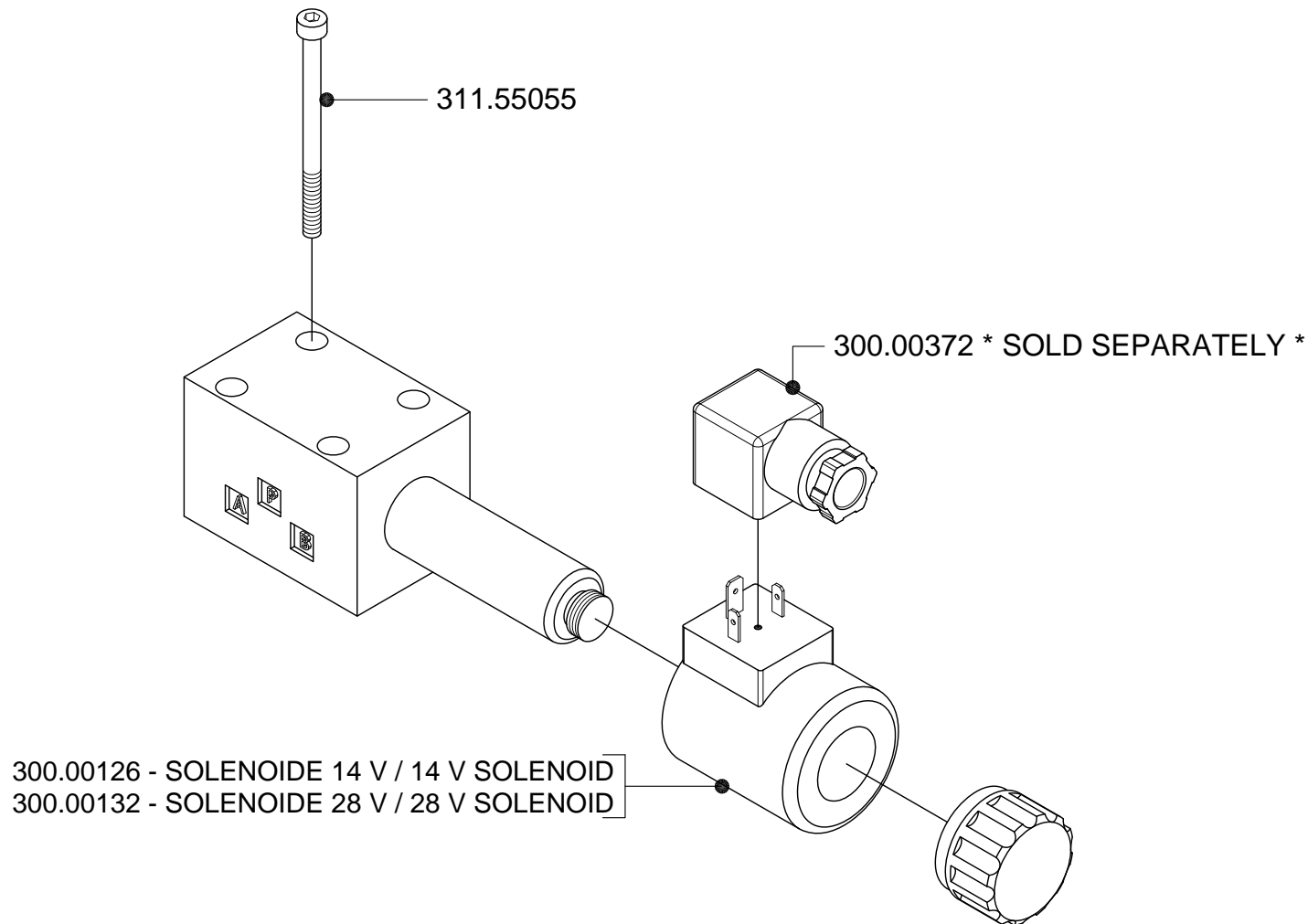


GRIGLIA	[500.00139 - DHE 12V SOLENOID-VALVE ASSEMBLY
GRID		500.00141 - DHE 24V SOLENOID-VALVE ASSEMBLY

DAL JET 340 HC N°: B.094.....
FROM JET 340 HC N°:

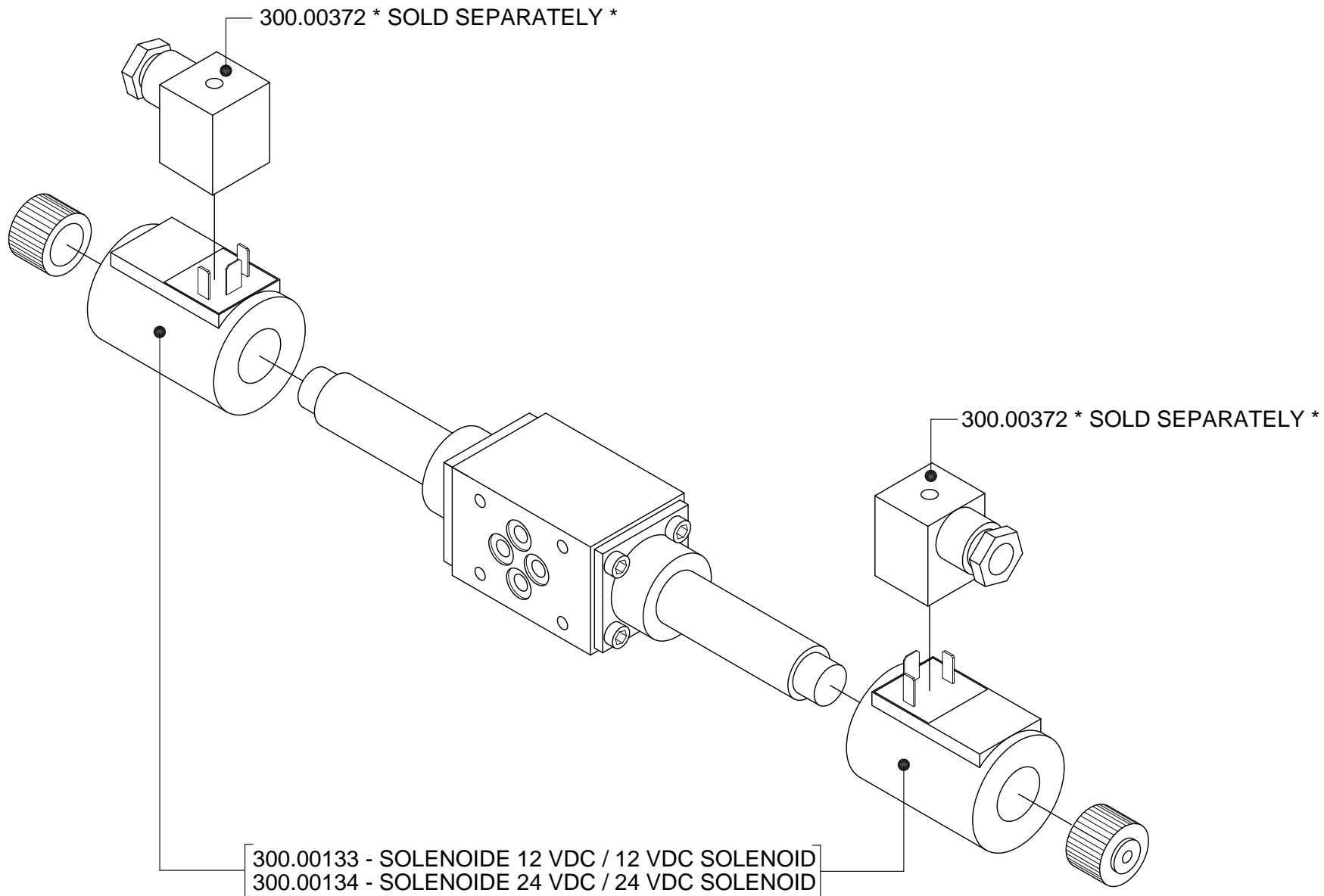
DAL JET 400 HC N°: D.376.07.D
FROM JET 400 HC N°:

DAL JET 490 HCT N°: C.509.....
FROM JET 490 HCT N°:

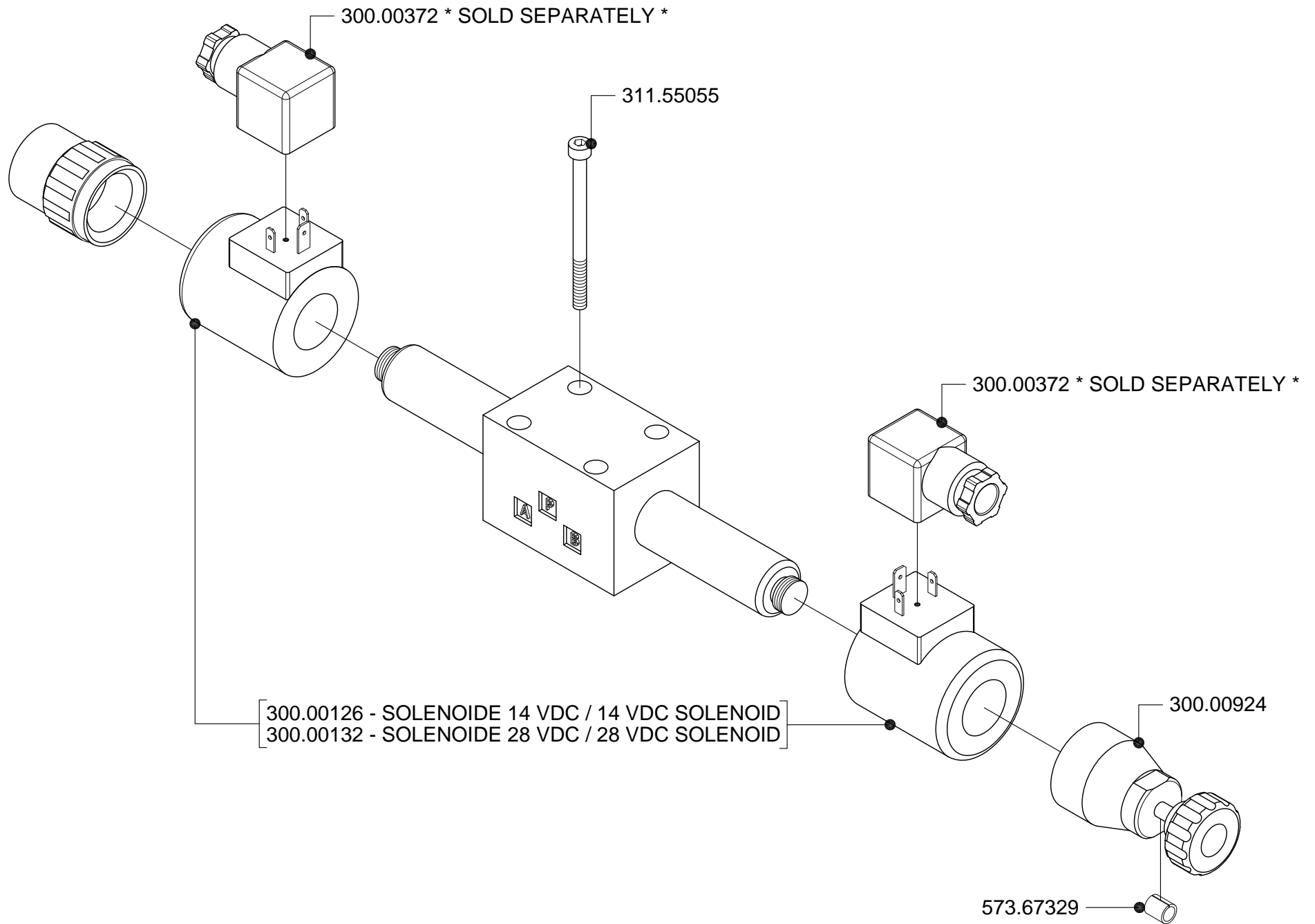


500.00749 - DHE 14V SOLENOID-VALVE ASSEMBLY
500.00743 - DHE 28V SOLENOID-VALVE ASSEMBLY

340.49/02

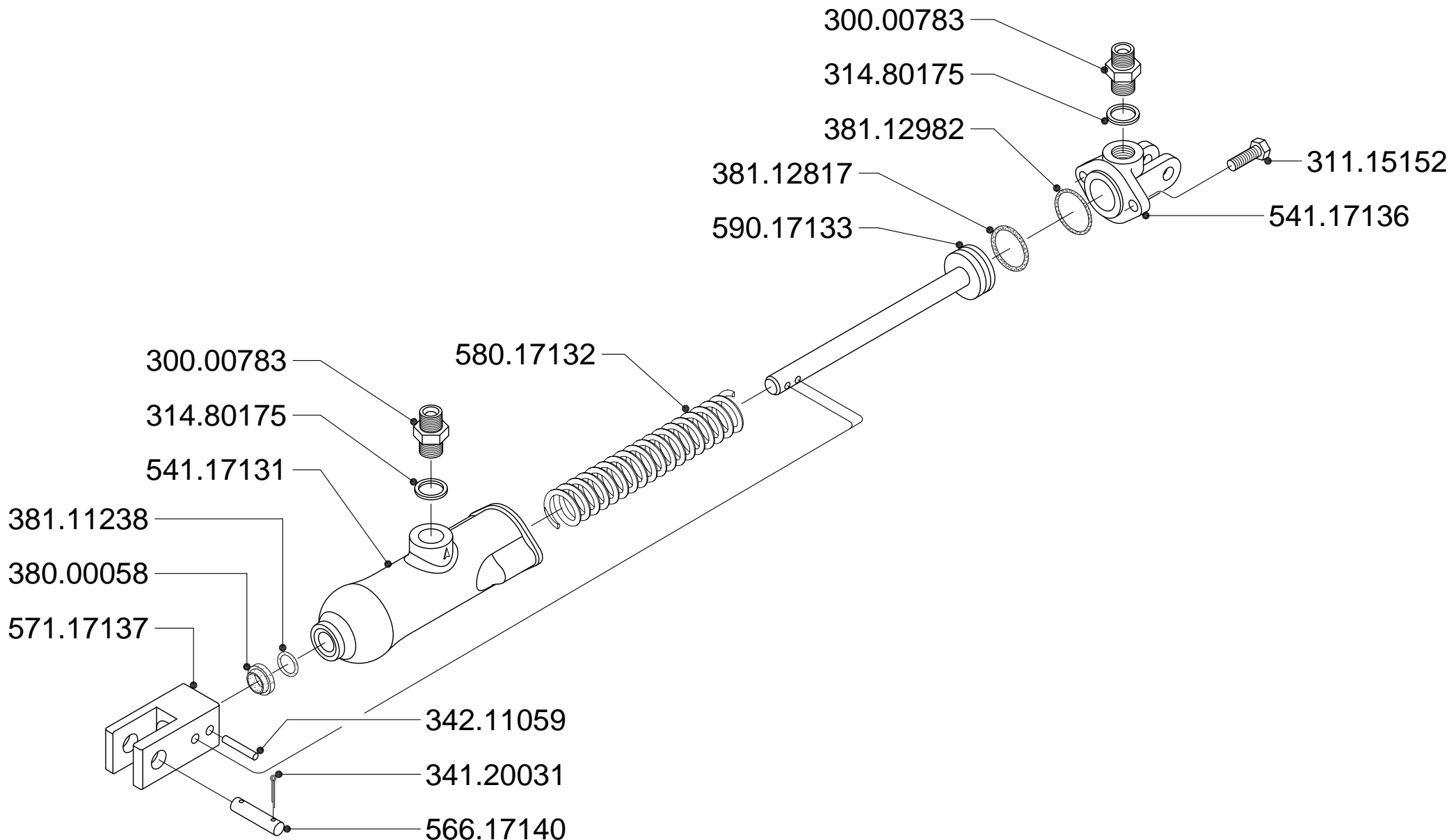


RETRO	300.00151 - 12V SOLENOID-VALVE ASSEMBLY
ASTERN	300.00150 - 24V SOLENOID-VALVE ASSEMBLY



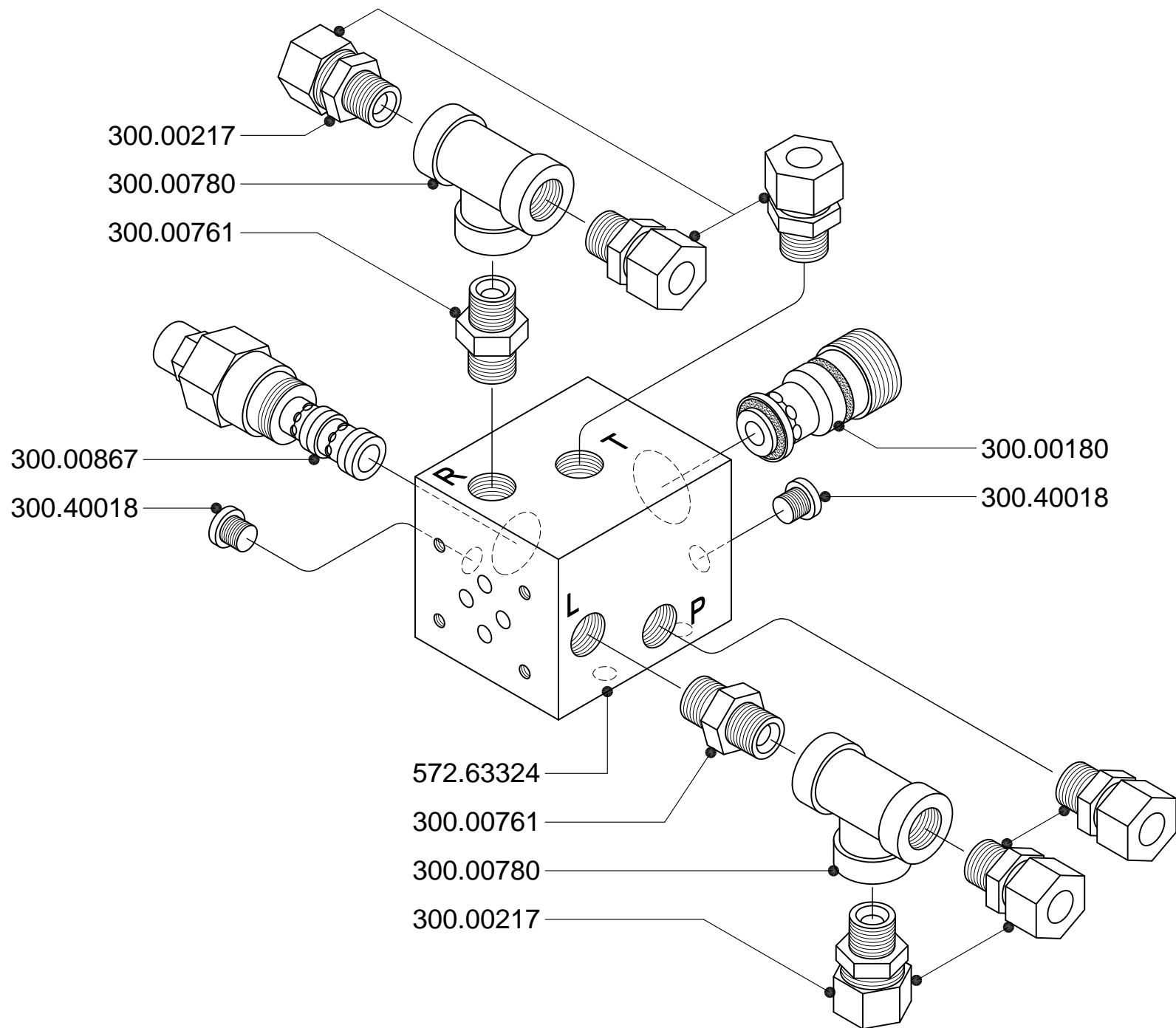
FRIZIONE e CLEAR DUCT	500.00138 - DHE 14V SOLENOID-VALVE ASSEMBLY
CLUTCH and CLEAR DUCT	500.00548 - DHE 28V SOLENOID-VALVE ASSEMBLY

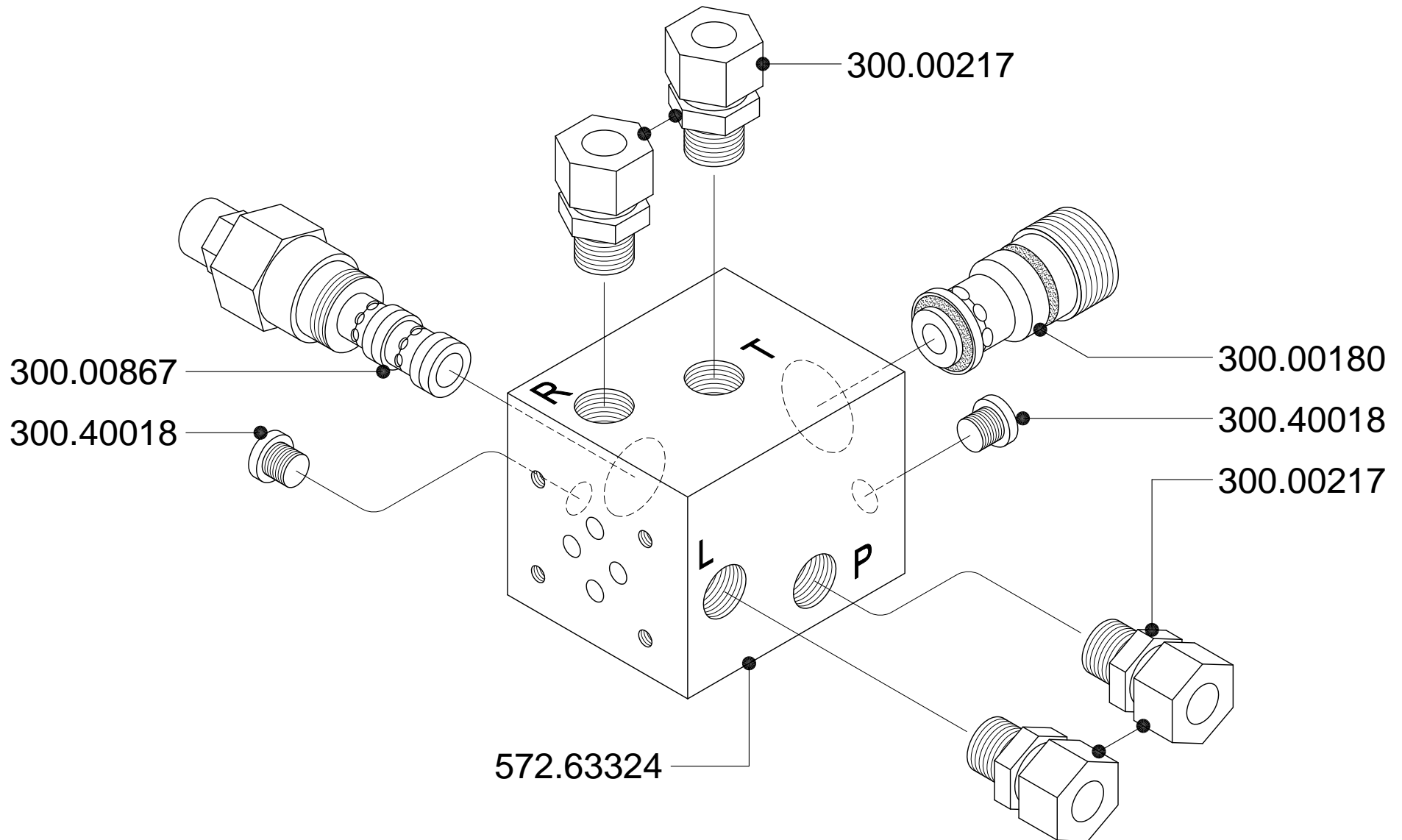
340.52/05



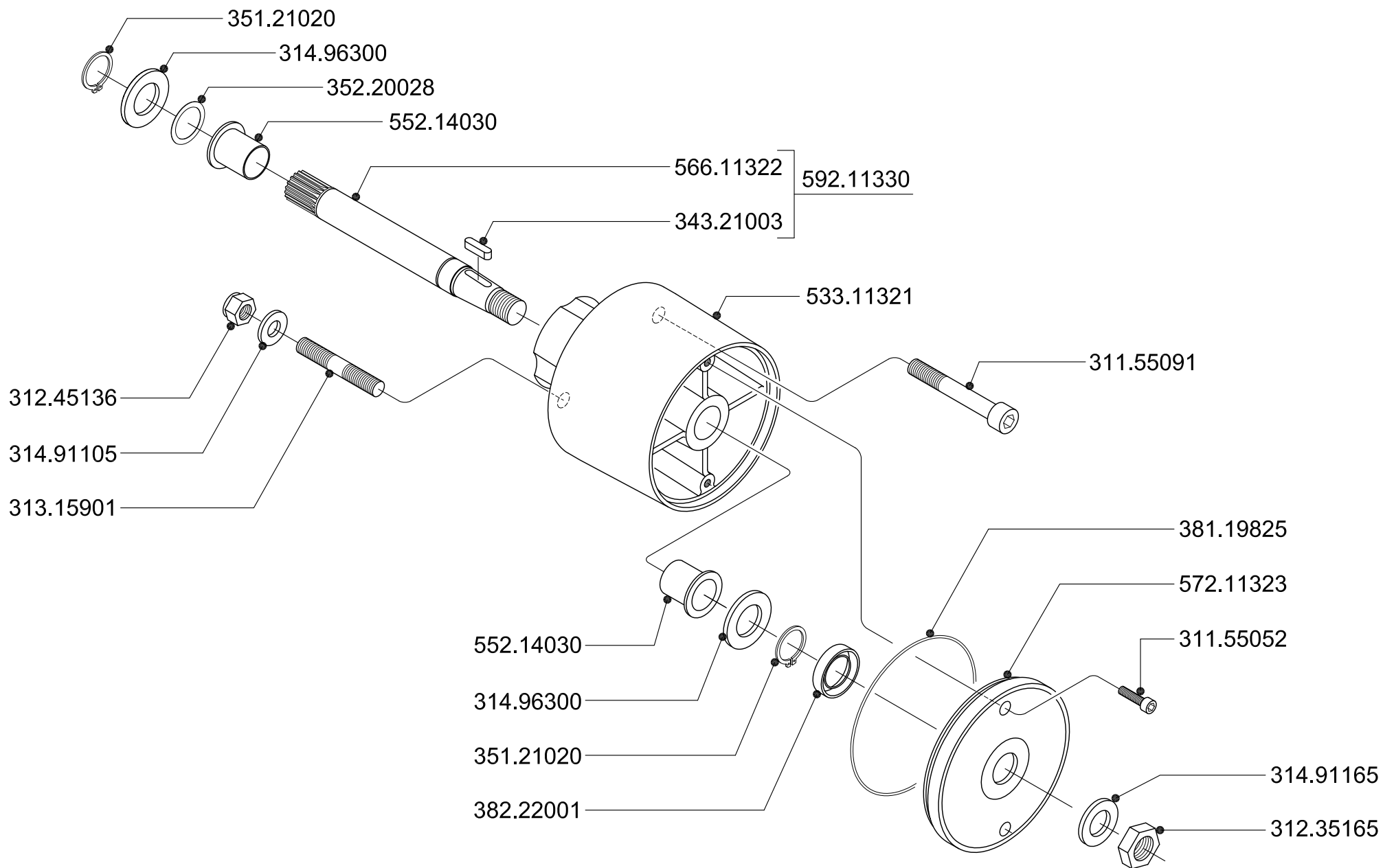
592.63148 - CILINDRO COMANDO GRIGLIA
 592.63148 - GRID CONTROL RAM

490HCT.19/00





592.63444 - BASE EE/HY COMPLETA PER STERZO JOYSTICK
 592.63444 - EE/HY BASE ASSEMBLY FOR JOYSTICK STEERING 490HCT.50/00



592.11320 - SUPPORTO VOLANTE COMPLETO con IDROGUIDA ASSISTITA
 592.11320 - HYDRAULIC POWER STEERING WHEEL SUPPORT ASSEMBLY

490HCT.58/00

Castoldi S.r.l. withhold the right to introduce, at anytime and without previous notice, such modifications of components and accessories as might be deemed necessary for technical or commercial reasons, without any obligation to bring up-to-date this leaflet

La Castoldi S.r.l. si riserva il diritto di apportare, in qualsiasi momento e senza preavviso, eventuali modifiche di componenti ed accessori che ritiene necessarie per esigenze tecniche o commerciali, senza ritenersi impegnata ad aggiornare questa pubblicazione



CASTOLDI S.r.l.

Strada Provinciale 114 n.10 - 20080 ALBAIRATE (MI) - Italia

tel. +39 02 9401881 - fax +39 02 94018850

info@castoldijet.it